

XECRO

most reliable sensor technology

inductive • capacitive • optoelectronics • touch 'n indicators



Most Reliable Sensor Technology

LOW COST CONTROLS

Quality Controls for Less  

TEL: +1-713-370-7760

Please contact our sales department for
pricing and order information.

WWW.LOWCOSTCONTROLS.COM

- electric field
- inductive
- capacitive
- optical



At a Glance

“Talent for innovation and customers orientation are the key factors of our success”

Think for Technology

XECRO is an independent company with more than 15 years of experience in the sensor industry.

During the years XECRO expanded its knowledge and production line to one of the completest range of inductive and capacitive sensors in the automation industry; focusing on the highest performance available.

Our innovations in this technologies results as the thinnest and shortest sensors, quad sensing distances, high pressure and high temperature resistant proximity switches. XECRO develops, produces and commercializes industrial sensors and general industrial electronics worldwide.

Global Organization

XECRO is one of the leading companies in inductive and capacitive technology and serves customers in Europe, North and Latin America, Asia, Africa and Middle East. The organization is regulated in accordance with the strict directives of ISO 9001-2000 .

XECROs headquarter located in Hanover, Germany, represents the focal point; our business counts with highly motivated management and working team: Financial and Sales dept., R & D, Customer Assistance, Shipping dept. and Warehouse are located in a modern 1100 square meter building. Customers can benefit from our synergic organization: the production is made by XECRO in Hanover, Germany and in collaboration with selected strategic production facilities inside the EU.

Dynamic R & D

R & D resources are the heart of the company. Thanks to expertise, gained during the years, in implementing individual solutions for customer applications, we are able to adapt our products to almost any customer needs.

In close cooperation between our business partners and development department, XECRO delivers customized sensor solutions based on the following technologies:

- Electric-Field, human touch devices and touch panels
- Optical
 - dirt resistant
 - miniature construction
 - high temperature resistant
- Capacitive
 - highest performance
 - high temperature resistant
- Inductive
 - highest performance
 - metal face, one piece construction
 - high temperature resistant
 - high pressure proof
 - analog output
 - namur

If special housings are required, we design them in 3D.

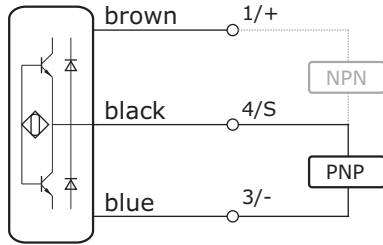
XECRO has rapid prototyping service for any shape and can provide IGES or STEP files in advance to check that the later integration is possible.

All XECRO products are built with the highest accuracy and are fully tested after production. The CE print on the products confirms with EU and EN standards and directives.

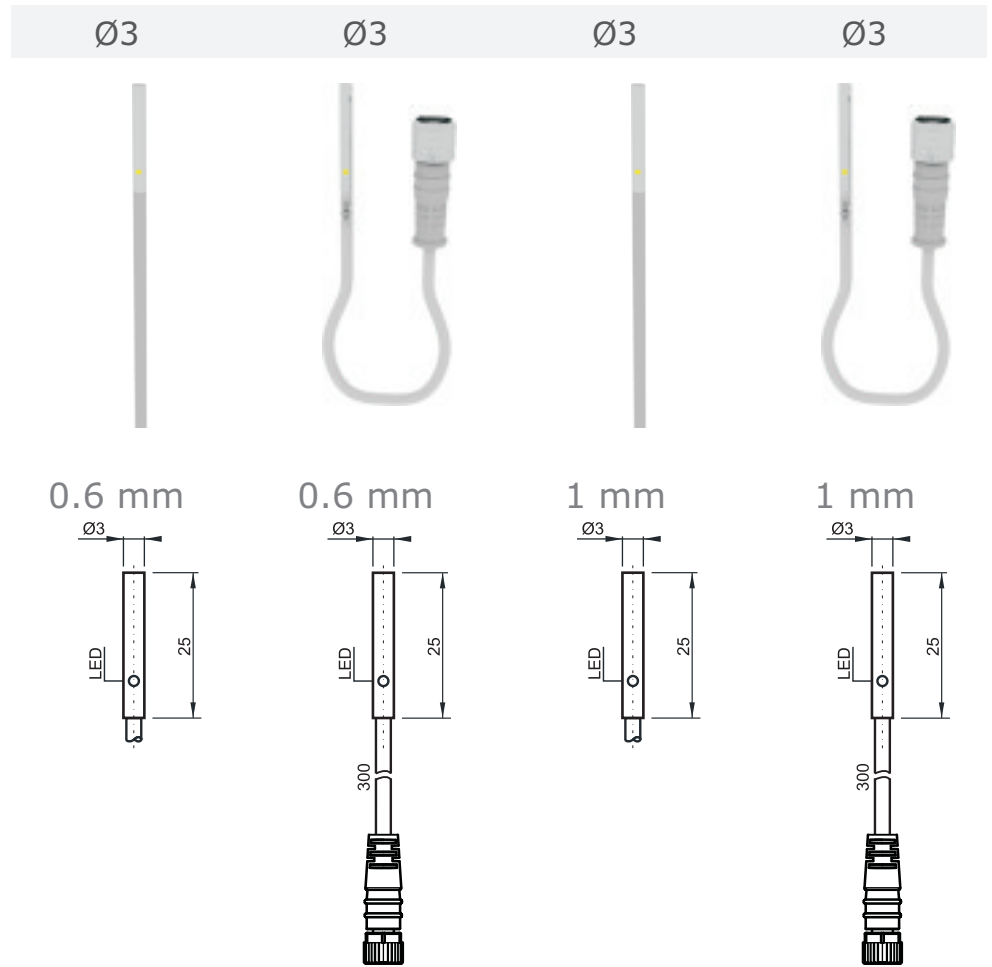
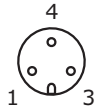


Inductive Proximity Switches

Output Schematics



Connector M8



SPECIFICATIONS

	Ø3 mm	Ø3 mm	Ø3 mm	Ø3 mm
Sensing Distance	0.6 mm - Shielded	0.6 mm - Shielded	1.0 mm - Shielded	1.0 mm - Shielded
Operating Voltage	10...30 VDC, 3-wire	10...30 VDC, 3-wire	10...30 VDC, 3-wire	10...30 VDC, 3-wire
Reverse Polarity Protection	built-in	built-in	built-in	built-in
Current Consumption	< 8 mA	< 8 mA	< 8 mA	< 8 mA
Current Load Capability	200 mA	200 mA	200 mA	200 mA
Short Circuit Protection	built-in - self resetting	built-in - self resetting	built-in - self resetting	built-in - self resetting
Voltage Drop	< 1.5 V @ 200 mA	< 1.5 V @ 200 mA	< 1.5 V @ 200 mA	< 1.5 V @ 200 mA
Switching Frequency	2000 Hz	2000 Hz	1000 Hz	1000 Hz
Repeatability	< 1 % (Sn)	< 1 % (Sn)	< 1 % (Sn)	< 1 % (Sn)
Hysteresis	3...15 %	3...15 %	3...15 %	3...15 %
Operating Temperature	-25...75 °C	-25...75 °C	-25...75 °C	-25...75 °C
Protection Class	IP67	IP67	IP67	IP67
Sensing Face Material	POM	POM	POM	POM
Housing Material	1.4305 / SS303	1.4305 / SS303	1.4305 / SS303	1.4305 / SS303
Connection	High-Flex PVC, 2m	Connector M8, 3-pole, 300 mm	High-Flex PVC, 2m	Connector M8, 3-pole, 300 mm
Output Indicator	built-in	Integrated	Integrated	Integrated
Article Code				
PNP - NO, 3-wire	IPSD3-S08PO25/A2P	IPSD3-S08PO25/3P8	IPSD3-S1PO25/A2P	IPSD3-S1PO25/3P8
PNP - NC, 3-wire	IPSD3-S08PC25/A2P	IPSD3-S08PC25/3P8	IPSD3-S1PC25/A2P	IPSD3-S1PC25/3P8
NPN - NO, 3-wire	IPSD3-S08NO25/A2P	IPSD3-S08NO25/3P8	IPSD3-S1NO25/A2P	IPSD3-S1NO25/3P8
NPN - NC, 3-wire	IPSD3-S08NC25/A2P	IPSD3-S08NC25/3P8	IPSD3-S1NC25/A2P	IPSD3-S1NC25/3P8

Recommended Connecting Cable

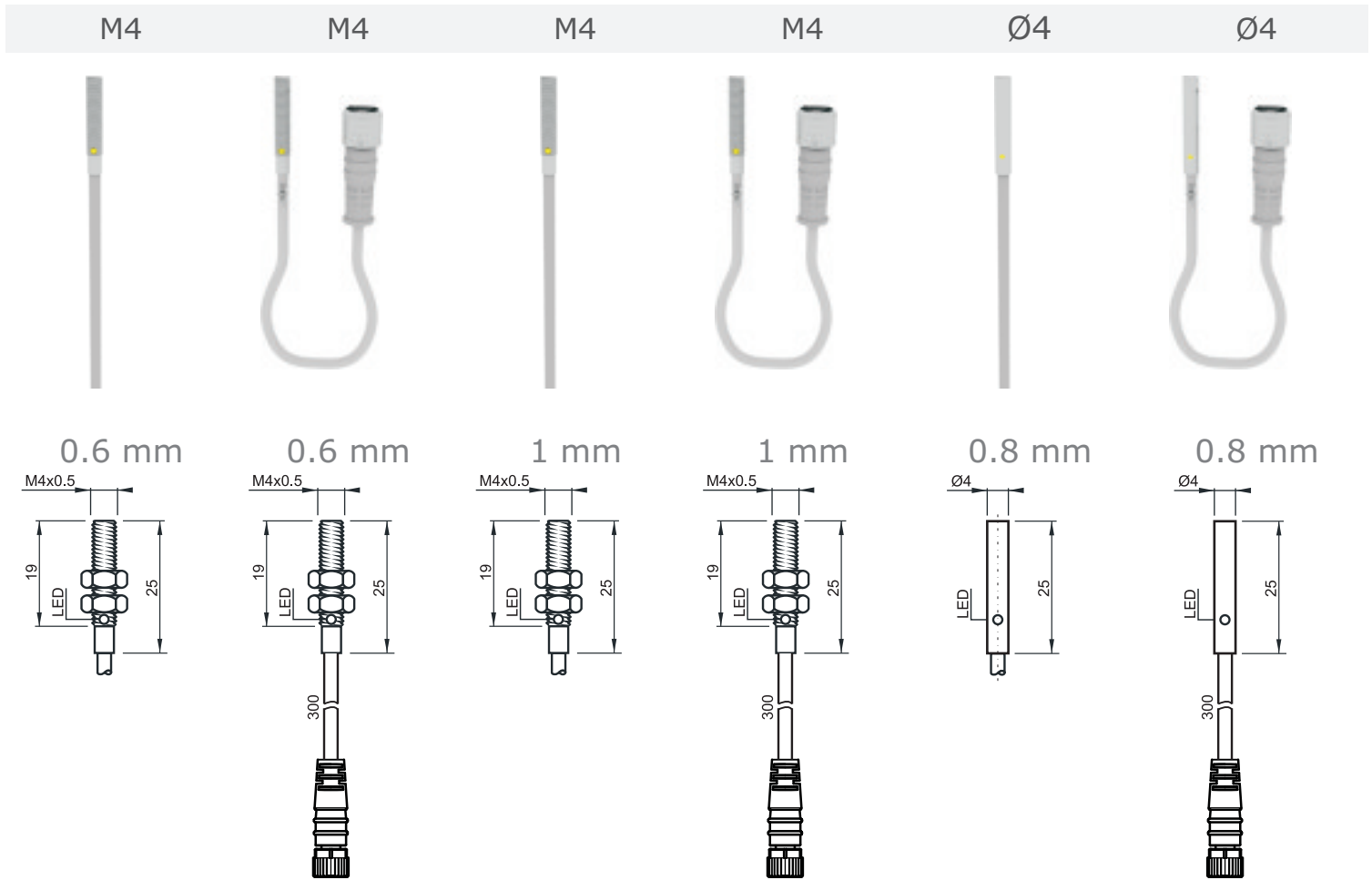
-

M8/3...

-

M8/3...

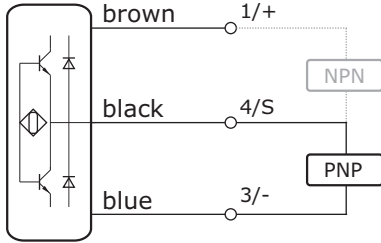
Inductive Proximity Switches



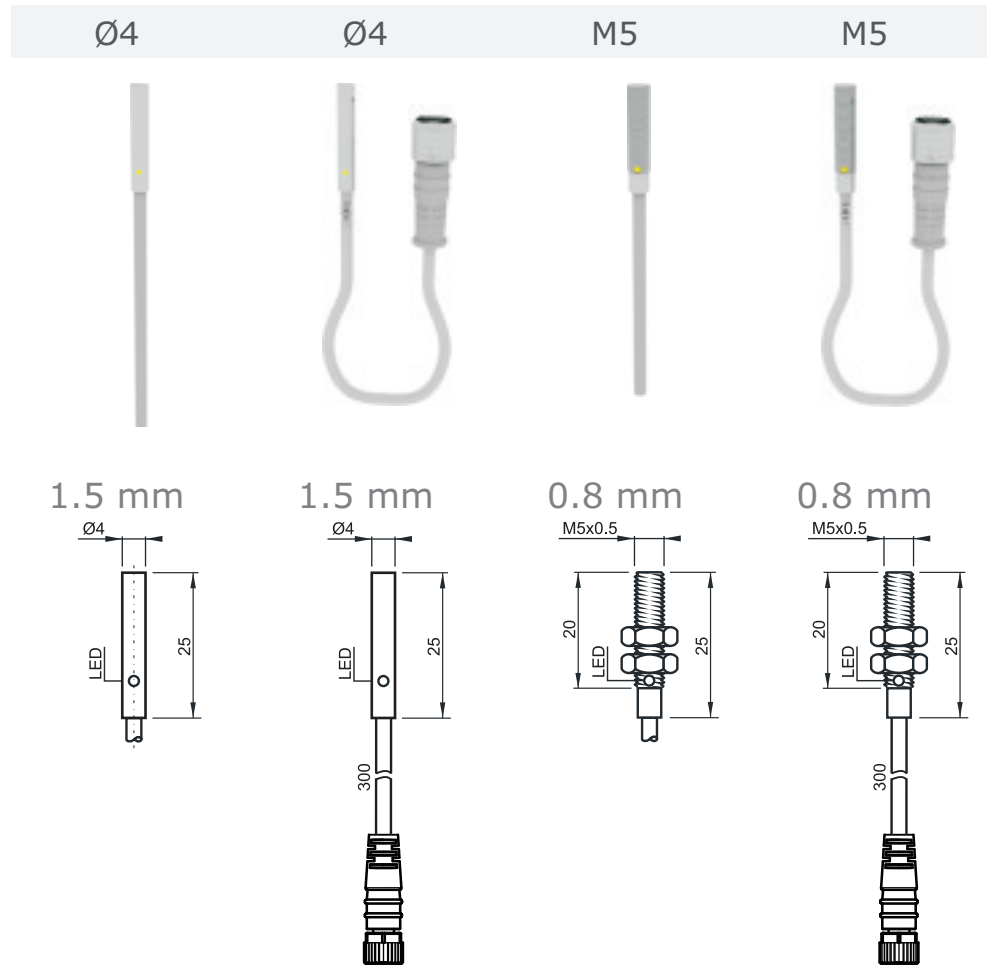
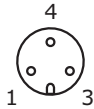
M4x0.5	M4x0.5	M4x0.5	M4x0.5	Ø4 mm	Ø4 mm
0.6 mm - Shielded	0.6 mm - Shielded	1.0 mm - Shielded	1.0 mm - Shielded	0.8 mm - Shielded	0.8 mm - Shielded
10...30 VDC, 3-wire built-in	10...30 VDC, 3-wire built-in	10...30 VDC, 3-wire built-in	10...30 VDC, 3-wire built-in	10...30 VDC, 3-wire built-in	10...30 VDC, 3-wire built-in
< 8 mA	< 8 mA	< 8 mA	< 8 mA	< 8 mA	< 8 mA
200 mA	200 mA	200 mA	200 mA	200 mA	200 mA
built-in - self resetting	built-in - self resetting	built-in - self resetting	built-in - self resetting	built-in - self resetting	built-in - self resetting
< 1.5 V @ 200 mA	< 1.5 V @ 200 mA	< 1.5 V @ 200 mA	< 1.5 V @ 200 mA	< 1.5 V @ 200 mA	< 1.5 V @ 200 mA
2000 Hz	2000 Hz	1000 Hz	1000 Hz	2000 Hz	2000 Hz
< 1 % (Sn)	< 1 % (Sn)	< 1 % (Sn)	< 1 % (Sn)	< 1 % (Sn)	< 1 % (Sn)
3...15 %	3...15 %	3...15 %	3...15 %	3...15 %	3...15 %
-25...75 °C	-25...75 °C	-25...75 °C	-25...75 °C	-25...75 °C	-25...75 °C
IP67	IP67	IP67	IP67	IP67	IP67
POM	POM	POM	POM	POM	POM
1.4305 / SS303	1.4305 / SS303	1.4305 / SS303	1.4305 / SS303	1.4305 / SS303	1.4305 / SS303
High-Flex PVC, 2m Integrated	Connector M8, 3-pole, 300 mm Integrated	High-Flex PVC, 2m Integrated	Connector M8, 3-pole, 300 mm Integrated	High-Flex PVC, 2m Integrated	Connector M8, 3-pole, 300 mm Integrated
IPS4-S08PO25/A2P	IPS4-S08PO25/3P8	IPS4-S1PO25/A2P	IPS4-S1PO25/3P8	IPSD4-S08PO25/A2P	IPSD4-S08PO25/3P8
IPS4-S08PC25/A2P	IPS4-S08PC25/3P8	IPS4-S1PC25/A2P	IPS4-S1PC25/3P8	IPSD4-S08PC25/A2P	IPSD4-S08PC25/3P8
IPS4-S08NO25/A2P	IPS4-S08NO25/3P8	IPS4-S1NO25/A2P	IPS4-S1NO25/3P8	IPSD4-S08NO25/A2P	IPSD4-S08NO25/3P8
IPS4-S08NC25/A2P	IPS4-S08NC25/3P8	IPS4-S1NC25/A2P	IPS4-S1NC25/3P8	IPSD4-S08NC25/A2P	IPSD4-S08NC25/3P8
-	M8/3...	-	M8/3...	-	M8/3...

Inductive Proximity Switches

Output Schematics



Connector M8



SPECIFICATIONS

	Ø4 mm	Ø4 mm	M5x0.5	M5x0.5
Sensing Distance	1.5 mm - Shielded	1.5 mm - Shielded	0.8 mm - Shielded	0.8 mm - Shielded
Operating Voltage	10...30 VDC, 3-wire	10...30 VDC, 3-wire	10...30 VDC, 3-wire	10...30 VDC, 3-wire
Reverse Polarity Protection	built-in	built-in	built-in	built-in
Current Consumption	< 8 mA	< 8 mA	< 8 mA	< 8 mA
Current Load Capability	200 mA	200 mA	200 mA	200 mA
Short Circuit Protection	built-in - self resetting	built-in - self resetting	built-in - self resetting	built-in - self resetting
Voltage Drop	< 1.5 V @ 200 mA	< 1.5 V @ 200 mA	< 1.5 V @ 200 mA	< 1.5 V @ 200 mA
Switching Frequency	1000 Hz	1000 Hz	2000 Hz	2000 Hz
Repeatability	< 1 % (Sn)	< 1 % (Sn)	< 1 % (Sn)	< 1 % (Sn)
Hysteresis	3...15 %	3...15 %	3...15 %	3...15 %
Operating Temperature	-25...75 °C	-25...75 °C	-25...75 °C	-25...75 °C
Protection Class	IP67	IP67	IP67	IP67
Sensing Face Material	POM	POM	POM	POM
Housing Material	1.4305 / SS303	1.4305 / SS303	1.4305 / SS303	1.4305 / SS303
Connection	High-Flex PVC, 2m	Connector M8, 3-pole, 300 mm	High-Flex PVC, 2m	Connector M8, 3-pole, 300 mm
Output Indicator	Integrated	Integrated	Integrated	Integrated
Article Code				
PNP - NO, 3-wire	IPSD4-S1.5PO25/A2P	IPSD4-S1.5PO25/3P8	IPS5-S08PO25/A2P	IPS5-S08PO25/3P8
PNP - NC, 3-wire	IPSD4-S1.5PC25/A2P	IPSD4-S1.5PC25/3P8	IPS5-S08PC25/A2P	IPS5-S08PC25/3P8
NPN - NO, 3-wire	IPSD4-S1.5NO25/A2P	IPSD4-S1.5NO25/3P8	IPS5-S08NO25/A2P	IPS5-S08NO25/3P8
NPN - NC, 3-wire	IPSD4-S1.5NC25/A2P	IPSD4-S1.5NC25/3P8	IPS5-S08NC25/A2P	IPS5-S08NC25/3P8

Recommended Connecting Cable

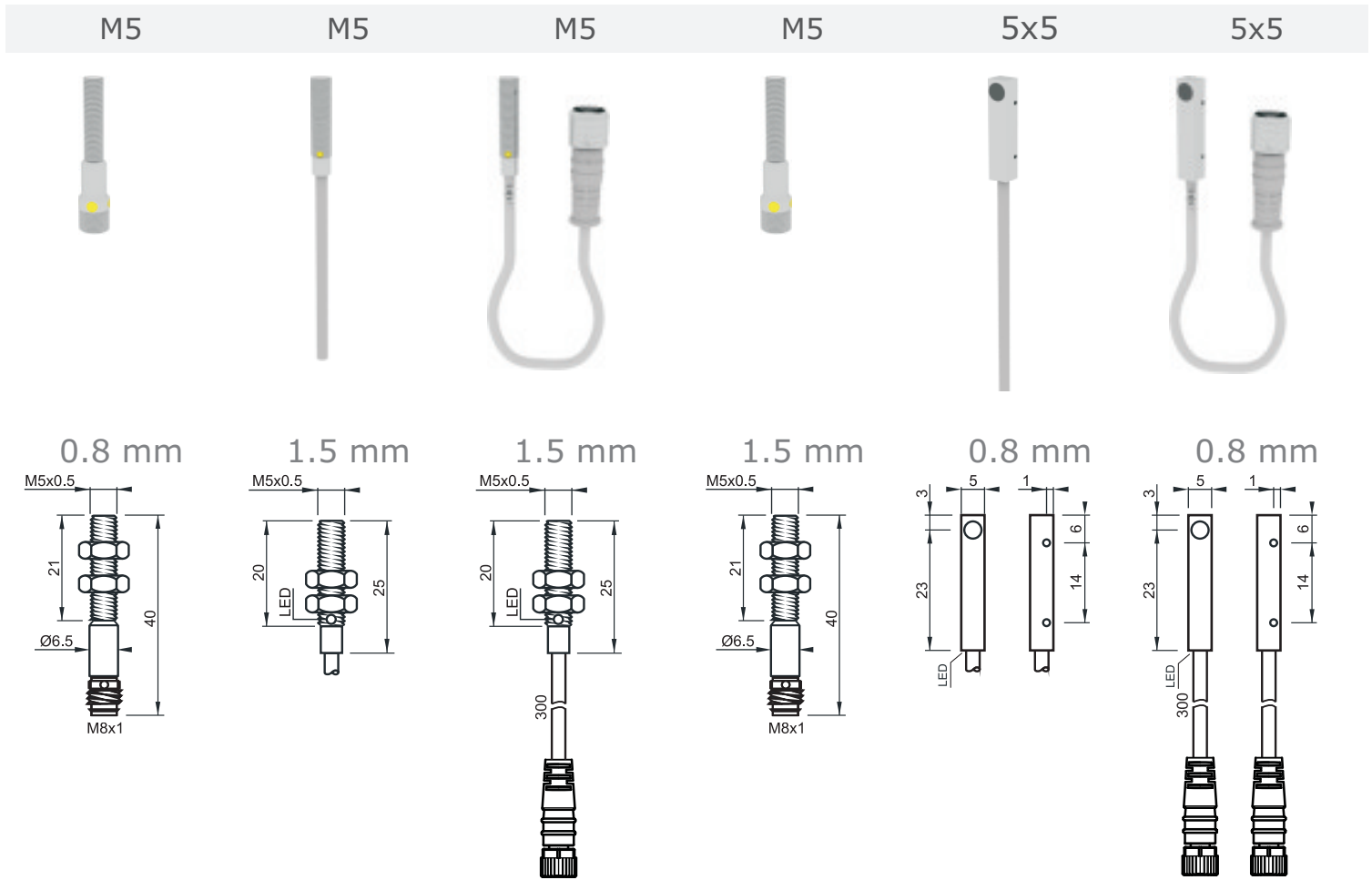
-

M8/3...

-

M8/3...

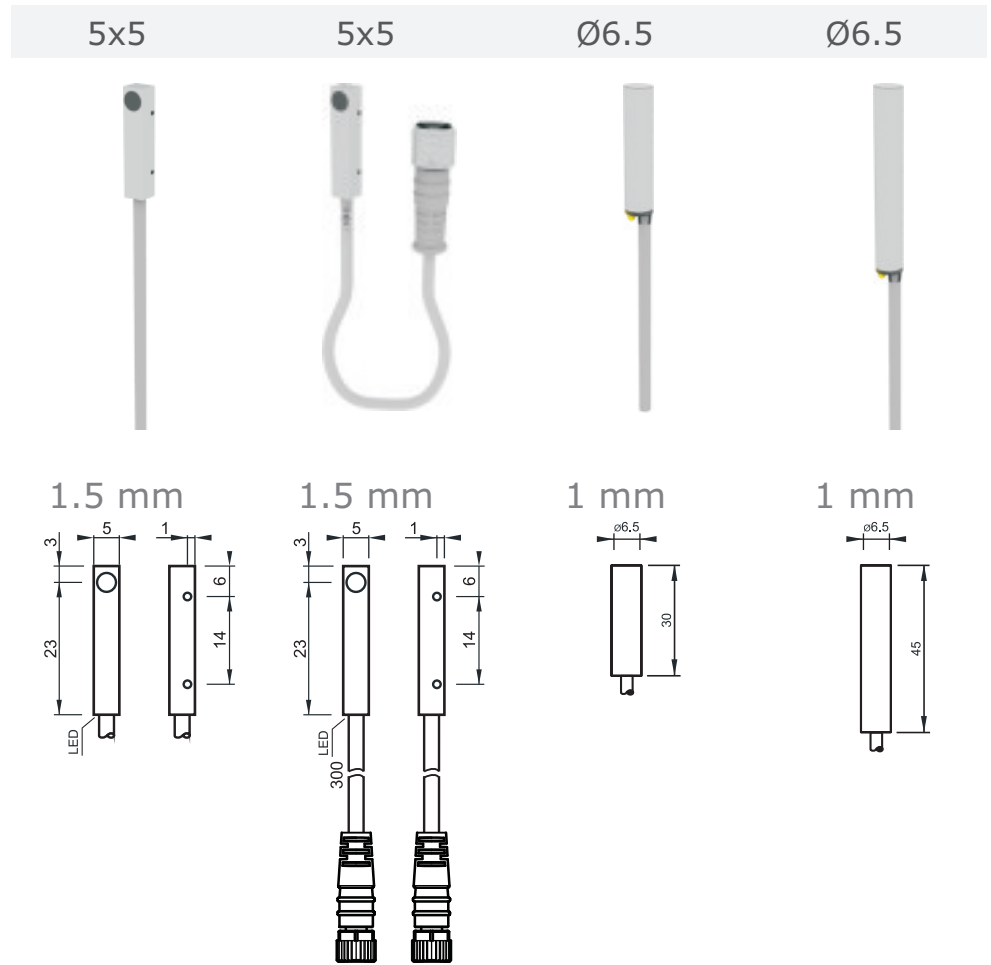
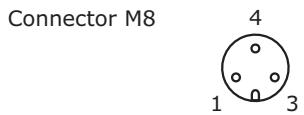
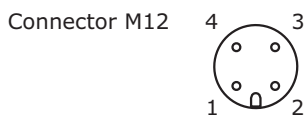
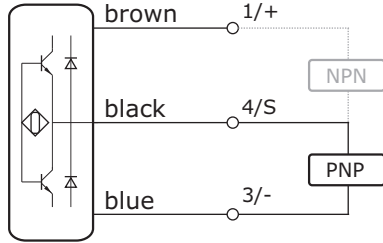
Inductive Proximity Switches



M5x0.5	M5x0.5	M5x0.5	M5x0.5	5 x 5	5 x 5
0.8 mm - Shielded	1.5 mm - Shielded	1.5 mm - Shielded	1.5 mm - Shielded	0.8 mm - Shielded	0.8 mm - Shielded
10...30 VDC, 3-wire built-in	10...30 VDC, 3-wire built-in	10...30 VDC, 3-wire built-in	10...30 VDC, 3-wire built-in	10...30 VDC, 3-wire built-in	10...30 VDC, 3-wire built-in
< 8 mA	< 8 mA	< 8 mA	< 8 mA	< 8 mA	< 8 mA
200 mA	200 mA	200 mA	200 mA	200 mA	200 mA
built-in - self resetting	built-in - self resetting	built-in - self resetting	built-in - self resetting	built-in - self resetting	built-in - self resetting
< 1.5 V @ 200 mA	< 1.5 V @ 200 mA	< 1.5 V @ 200 mA	< 1.5 V @ 200 mA	< 1.5 V @ 200 mA	< 1.5 V @ 200 mA
2000 Hz	1000 Hz	1000 Hz	1000 Hz	2000 Hz	2000 Hz
< 1 % (Sn)	< 1 % (Sn)	< 1 % (Sn)	< 1 % (Sn)	< 1 % (Sn)	< 1 % (Sn)
3...15 %	3...15 %	3...15 %	3...15 %	3...15 %	3...15 %
-25...75 °C	-25...75 °C	-25...75 °C	-25...75 °C	-25...75 °C	-25...75 °C
IP67	IP67	IP67	IP67	IP67	IP67
POM	POM	POM	POM	POM	POM
1.4305 / SS303	1.4305 / SS303	1.4305 / SS303	1.4305 / SS303	Plated Brass	Plated Brass
Connector M8, 3-pole Integrated	High-Flex PVC, 2m Integrated	Connector M8, 3-pole, 300 mm Integrated	Connector M8, 3-pole Integrated	High-Flex PVC, 2m Integrated	Connector M8, 3-pole, 300 mm Integrated
IPS5-S08PO40/M8	IPS5-S1.5PO25/A2P	IPS5-S1.5PO25/3P8	IPS5-S1.5PO40/M8	IPS5-S08PO26/A2P	IPS5-S08PO26/3P8
IPS5-S08PC40/M8	IPS5-S1.5PC25/A2P	IPS5-S1.5PC25/3P8	IPS5-S1.5PC40/M8	IPS5-S08PC 26/A2P	IPS5-S08PC26/3P8
IPS5-S08NO40/M8	IPS5-S1.5NO25/A2P	IPS5-S1.5NO25/3P8	IPS5-S1.5NO40/M8	IPS5-S08NO26/A2P	IPS5-S08NO26/3P8
IPS5-S08NC40/M8	IPS5-S1.5NC25/A2P	IPS5-S1.5NC25/3P8	IPS5-S1.5NC40/M8	IPS5-S08NC26/A2P	IPS5-S08NC26/3P8
M8/3...	-	M8/3...	M8/3...	-	M8/3...

Inductive Proximity Switches

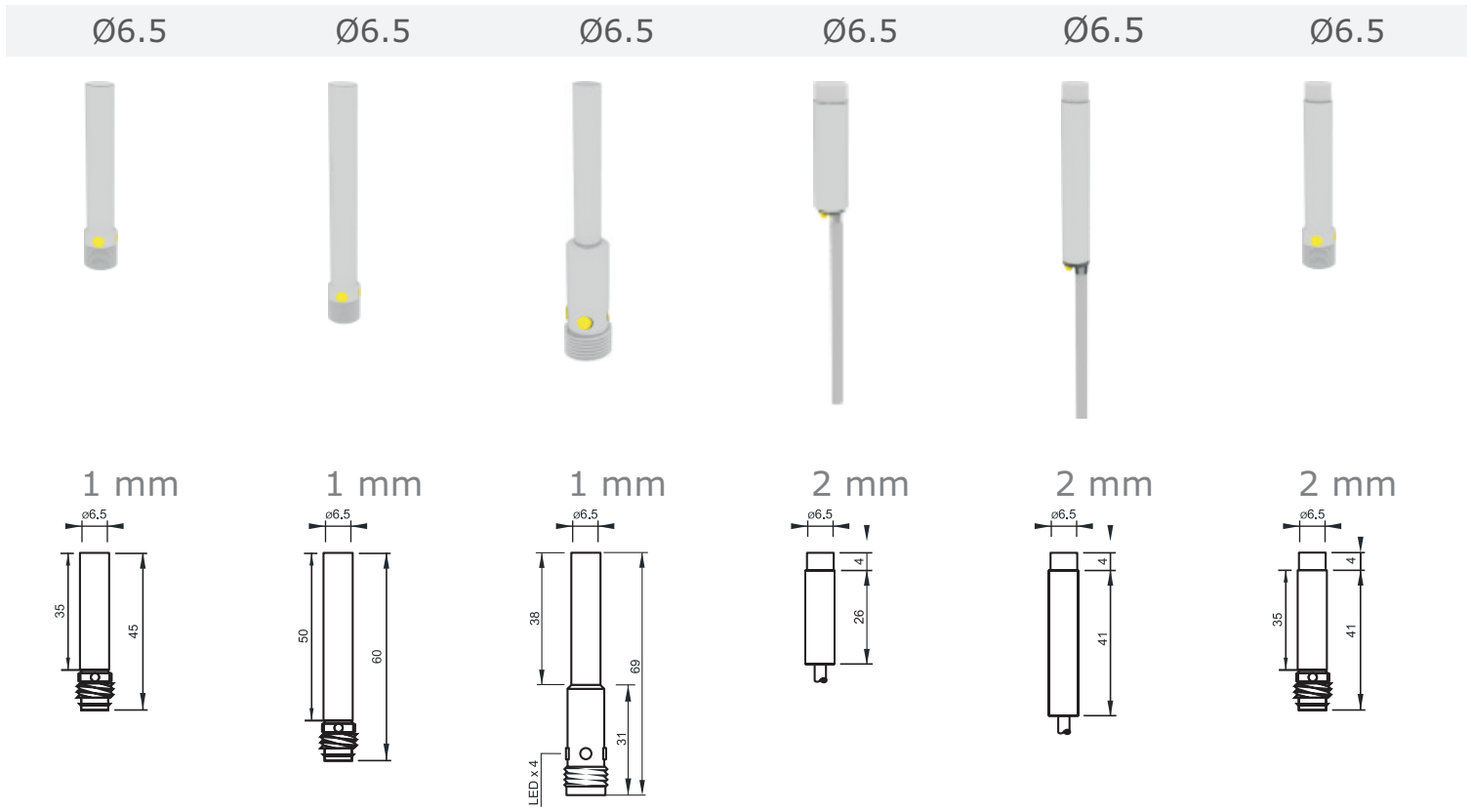
Output Schematics



SPECIFICATIONS

	5 x 5	5 x 5	Ø6.5 mm	Ø6.5 mm
Sensing Distance	1.5 mm - Shielded	1.5 mm - Shielded	1 mm - Shielded	1 mm - Shielded
Operating Voltage	10...30 VDC, 3-wire	10...30 VDC, 3-wire	10...30 VDC, 3-wire	10...30 VDC, 3-wire
Reverse Polarity Protection	built-in	built-in	built-in	built-in
Current Consumption	< 8 mA	< 8 mA	< 8 mA	< 8 mA
Current Load Capability	200 mA	200 mA	200 mA	200 mA
Short Circuit Protection	built-in - self resetting	built-in - self resetting	built-in - self resetting	built-in - self resetting
Voltage Drop	< 1.5 V @ 200 mA	< 1.5 V @ 200 mA	< 1.5 V @ 200 mA	< 1.5 V @ 200 mA
Switching Frequency	1000 Hz	1000 Hz	2000 Hz	2000 Hz
Repeatability	< 1 % (Sn)	< 1 % (Sn)	< 1 % (Sn)	< 1 % (Sn)
Hysteresis	3...15 %	3...15 %	3...15 %	3...15 %
Operating Temperature	-25...75 °C	-25...75 °C	-25...75 °C	-25...75 °C
Protection Class	IP67	IP67	IP67	IP67
Sensing Face Material	POM	POM	POM	POM
Housing Material	Plated Brass	Plated Brass	1.4305 / SS303	1.4305 / SS303
Connection	High-Flex PVC, 2m	Connector M8, 3-pole, 300 mm	High-Flex PVC, 2m	High-Flex PVC, 2m
Output Indicator	Integrated	Integrated	Integrated	Integrated
Article Code				
PNP - NO, 3-wire	IPS55-S1.5PO26/A2P	IPS55-S1.5PO26/3P8	IPSD6-S1PO30/A2P	IPSD6-S1PO45/A2P
PNP - NC, 3-wire	IPS55-S1.5PC26/A2P	IPS55-S1.5PC26/3P8	IPSD6-S1PC30/A2P	IPSD6-S1PC45/A2P
NPN - NO, 3-wire	IPS55-S1.5NO26/A2P	IPS55-S1.5NO26/3P8	IPSD6-S1NO30/A2P	IPSD6-S1NO45/A2P
NPN - NC, 3-wire	IPS55-S1.5NC26/A2P	IPS55-S1.5NC26/3P8	IPSD6-S1NC30/A2P	IPSD6-S1NC45/A2P
10...55 VDC - NO, 2-wire				IPSD6-S1DO45/A2P
10...55 VDC - NC, 2-wire				IPSD6-S1DC45/A2P
Recommended Connecting Cable	-	M8/3...	-	-

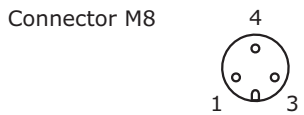
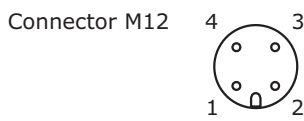
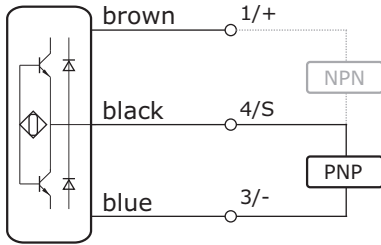
Inductive Proximity Switches



Ø6.5 mm	Ø6.5 mm	Ø6.5 mm	Ø6.5 mm	Ø6.5 mm	Ø6.5 mm
1 mm - Shielded	1 mm - Shielded	1 mm - Shielded	2 mm - Unshielded	2 mm - Unshielded	2 mm - Unshielded
10...30 VDC, 3-wire built-in	10...30 VDC, 3-wire built-in	10...30 VDC, 3-wire built-in	10...30 VDC, 3-wire built-in	10...30 VDC, 3-wire built-in	10...30 VDC, 3-wire built-in
< 8 mA	< 8 mA	< 8 mA	< 8 mA	< 8 mA	< 8 mA
200 mA	200 mA	200 mA	200 mA	200 mA	200 mA
built-in - self resetting	built-in - self resetting	built-in - self resetting	built-in - self resetting	built-in - self resetting	built-in - self resetting
< 1.5 V @ 200 mA	< 1.5 V @ 200 mA	< 1.5 V @ 200 mA	< 1.5 V @ 200 mA	< 1.5 V @ 200 mA	< 1.5 V @ 200 mA
2000 Hz	2000 Hz	2000 Hz	2000 Hz	2000 Hz	2000 Hz
< 1 % (Sn)	< 1 % (Sn)	< 1 % (Sn)	< 1 % (Sn)	< 1 % (Sn)	< 1 % (Sn)
3...15 %	3...15 %	3...15 %	3...15 %	3...15 %	3...15 %
-25...75 °C	-25...75 °C	-25...75 °C	-25...75 °C	-25...75 °C	-25...75 °C
IP67	IP67	IP67	IP67	IP67	IP67
POM	POM	POM	POM	POM	POM
1.4305 / SS303	1.4305 / SS303	1.4305 / SS303	1.4305 / SS303	1.4305 / SS303	1.4305 / SS303
Connector M8, 3-pole Integrated	Connector M8, 3-pole Integrated	Connector M12, 4-pole Integrated	High-Flex PVC, 2m Integrated	High-Flex PVC, 2m Integrated	Connector M8, 3-pole, 300 mm Integrated
IPSD6-S1PO45/M8 IPSD6-S1PC45/M8	IPSD6-S1PO60/M8 IPSD6-S1PC60/M8	IPSD6-S1PO69/M12 IPSD6-S1PC69/M12	IPSD6-N2PO30/A2P IPSD6-N2PC30/A2P	IPSD6-N2PO45/A2P IPSD6-N2PC45/A2P	IPSD6-N2PO45/M8 IPSD6-N2PC45/M8
IPSD6-S1NO45/M8 IPSD6-S1NC45/M8	IPSD6-S1NO60/M8 IPSD6-S1NC60/M8	IPSD6-S1NO69/M12 IPSD6-S1NC69/M12	IPSD6-N2NO30/A2P IPSD6-N2NC30/A2P	IPSD6-N2NO45/A2P IPSD6-N2NC45/A2P	IPSD6-N2NO45/M8 IPSD6-N2NC45/M8
M8/3...	IPSD6-S1DO60/M8 IPSD6-S1DC60/M8 M8/3...	IPSD6-S1DO69/M12 IPSD6-S1DC69/M12 M12/3...	IPSD6-N2DO45/A2P IPSD6-N2DC45/A2P -	IPSD6-N2DO45/A2P IPSD6-N2DC45/A2P -	M8/3...

Inductive Proximity Switches

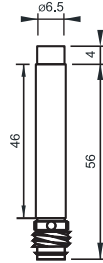
Output Schematics



Ø6.5



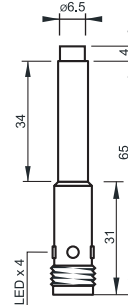
2 mm



Ø6.5



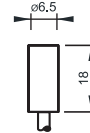
2 mm



Ø6.5



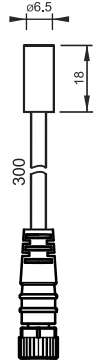
2 mm



Ø6.5



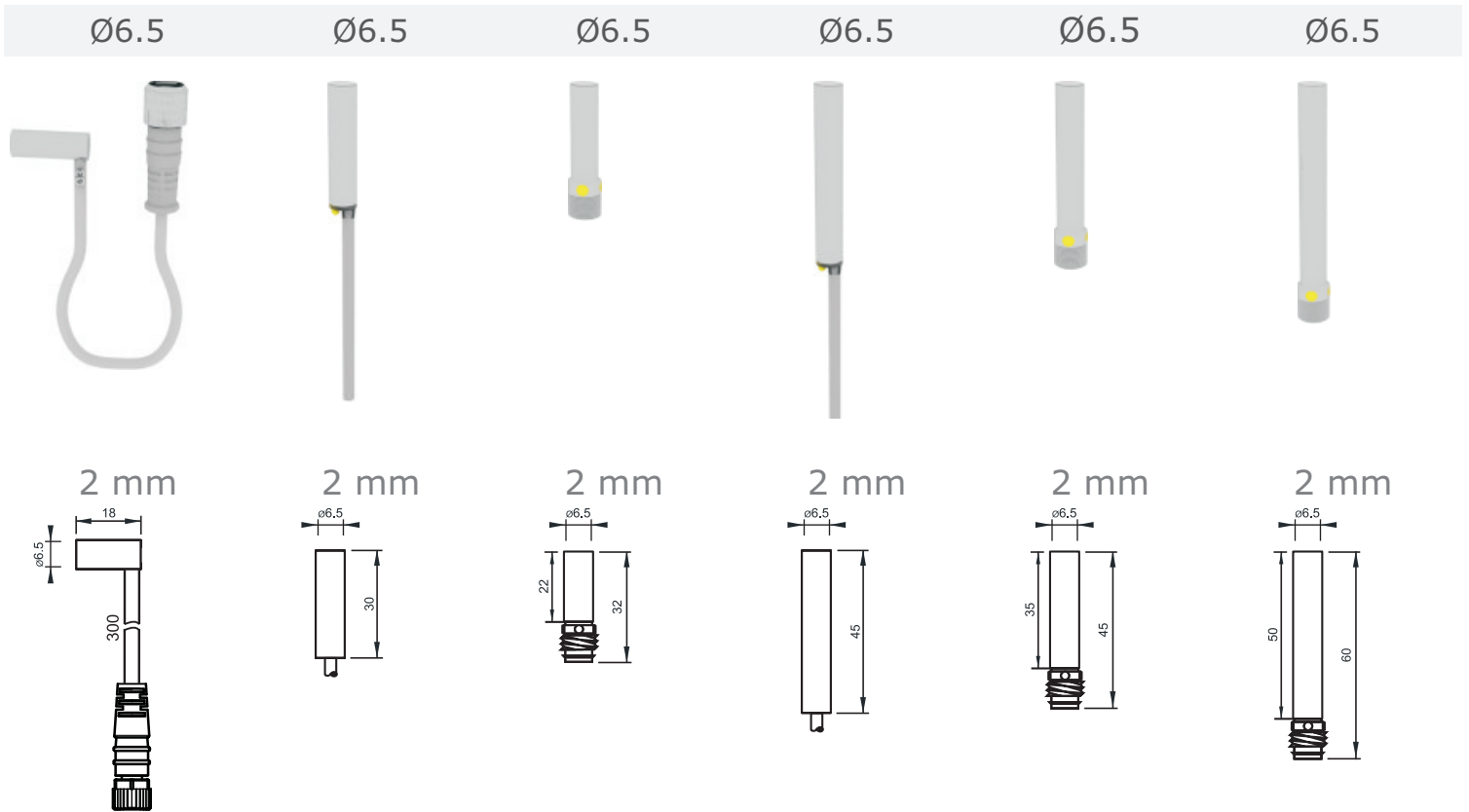
2 mm



SPECIFICATIONS

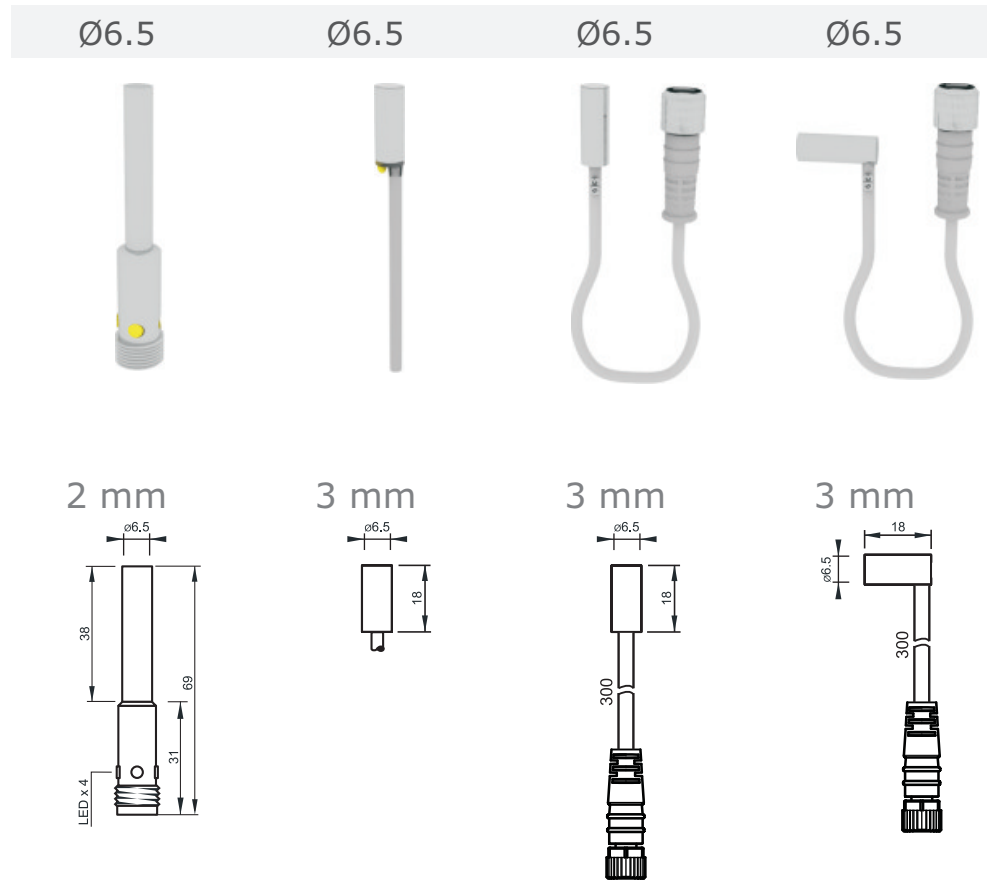
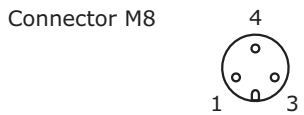
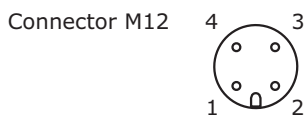
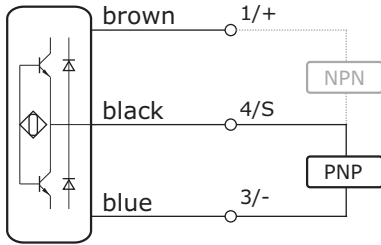
	Ø6.5 mm	Ø6.5 mm	Ø6.5 mm	Ø6.5 mm
Sensing Distance	2 mm - Unshielded	2 mm - Unshielded	2 mm - Shielded	2 mm - Shielded
Operating Voltage	10...30 VDC, 3-wire	10...30 VDC, 3-wire	10...30 VDC, 3-wire	10...30 VDC, 3-wire
Reverse Polarity Protection	built-in	built-in	built-in	built-in
Current Consumption	< 8 mA	< 8 mA	< 8 mA	< 8 mA
Current Load Capability	200 mA	200 mA	200 mA	200 mA
Short Circuit Protection	built-in - self resetting	built-in - self resetting	built-in - self resetting	built-in - self resetting
Voltage Drop	< 1.5 V @ 200 mA	< 1.5 V @ 200 mA	< 1.5 V @ 200 mA	< 1.5 V @ 200 mA
Switching Frequency	2000 Hz	2000 Hz	2000 Hz	2000 Hz
Repeatability	< 1 % (Sn)	< 1 % (Sn)	< 1 % (Sn)	< 1 % (Sn)
Hysteresis	3...15 %	3...15 %	3...15 %	3...15 %
Operating Temperature	-25...75 °C	-25...75 °C	-25...75 °C	-25...75 °C
Protection Class	IP67	IP67	IP67	IP67
Sensing Face Material	POM	POM	POM	POM
Housing Material	1.4305 / SS303	1.4305 / SS303	1.4305 / SS303	1.4305 / SS303
Connection	Connector M8, 3-pole	Connector M12, 4-pole	High-Flex PVC, 2m	Connector M8, 3-pole, 300 mm
Output Indicator	Integrated	Integrated	Integrated	Integrated
Article Code				
PNP - NO, 3-wire	IPSD6-N2PO60/M8	IPSD6-N2PO69/M12	IPSD6-S2PO18/A2P	IPSD6-S2PO18/3P8
PNP - NC, 3-wire	IPSD6-N2PC60/M8	IPSD6-S1PC69/M12	IPSD6-S2PC18/A2P	IPSD6-S2PC18/3P8
PNP - NO+NC, 4-wire				
NPN - NO, 3-wire	IPSD6-N2NO60/M8	IPSD6-N2NO69/M12	IPSD6-S2NO18/A2P	IPSD6-S2NO18/3P8
NPN - NC, 3-wire	IPSD6-N2NC60/M8	IPSD6-N2NC69/M12	IPSD6-S2NC18/A2P	IPSD6-S2NC18/3P8
NPN - NO+NC, 4-wire				
10...55 VDC - NO, 2-wire	IPSD6-N2DO60/M8	IPSD6-N2DO69/M12		
10...55 VDC - NC, 2-wire	IPSD6-N2DC60/M8	IPSD6-N2DC69/M12		
Recommended Connecting Cable	M8/3...	M12/3...	-	M8/3...

Inductive Proximity Switches



Ø6.5 mm	Ø6.5 mm	Ø6.5 mm	Ø6.5 mm	Ø6.5 mm	Ø6.5 mm
2 mm - Shielded	2 mm - Shielded	2 mm - Shielded	2 mm - Shielded	2 mm - Shielded	2 mm - Shielded
10...30 VDC, 3-wire built-in < 8 mA 200 mA built-in - self resetting < 1.5 V @ 200 mA 2000 Hz < 1 % (Sn) 3...15 % -25...75 °C IP67 POM 1.4305 / SS303 Connector M8, 3-pole, 300 mm Integrated	10...30 VDC, 3-wire built-in < 8 mA 200 mA built-in - self resetting < 1.5 V @ 200 mA 2000 Hz < 1 % (Sn) 3...15 % -25...75 °C IP67 POM 1.4305 / SS303 High-Flex PVC, 2m Integrated	10...30 VDC, 3-wire built-in < 8 mA 200 mA built-in - self resetting < 1.5 V @ 200 mA 2000 Hz < 1 % (Sn) 3...15 % -25...75 °C IP67 POM 1.4305 / SS303 Connector M8, 3-pole, 300 mm Integrated	10...30 VDC, 3-wire built-in < 8 mA 200 mA built-in - self resetting < 1.5 V @ 200 mA 2000 Hz < 1 % (Sn) 3...15 % -25...75 °C IP67 POM 1.4305 / SS303 High-Flex PVC, 2m Integrated	10...30 VDC, 3-wire built-in < 8 mA 200 mA built-in - self resetting < 1.5 V @ 200 mA 2000 Hz < 1 % (Sn) 3...15 % -25...75 °C IP67 POM 1.4305 / SS303 Connector M8, 3-pole Integrated	10...30 VDC, 3-wire built-in < 8 mA 200 mA built-in - self resetting < 1.5 V @ 200 mA 2000 Hz < 1 % (Sn) 3...15 % -25...75 °C IP67 POM 1.4305 / SS303 Connector M8, 3-pole Integrated
IPSD6-S2PO18/R3P8 IPSD6-S2PC18/R3P8	IPSD6-S2PO30/A2P IPSD6-S2PC30/A2P	IPSD6-S2PO32/M8 IPSD6-S2PC32/M8	IPSD6-S2PO45/A2P IPSD6-S2PC45/A2P	IPSD6-S2PO45/M8 IPSD6-S2PC45/M8	IPSD6-S2PO60/M8 IPSD6-S2PC60/M8
IPSD6-S2NO18/R3P8 IPSD6-S2NC18/R3P8	IPSD6-S2NO30/A2P IPSD6-S2NC30/A2P	IPSD6-S2NO32/M8 IPSD6-S2NC32/M8	IPSD6-S2NO45/A2P IPSD6-S2NC45/A2P	IPSD6-S2NO45/M8 IPSD6-S2NC45/M8	IPSD6-S2NO60/M8 IPSD6-S2NC60/M8
M8/3...	-	M8/3...	-	M8/3...	M8/3...

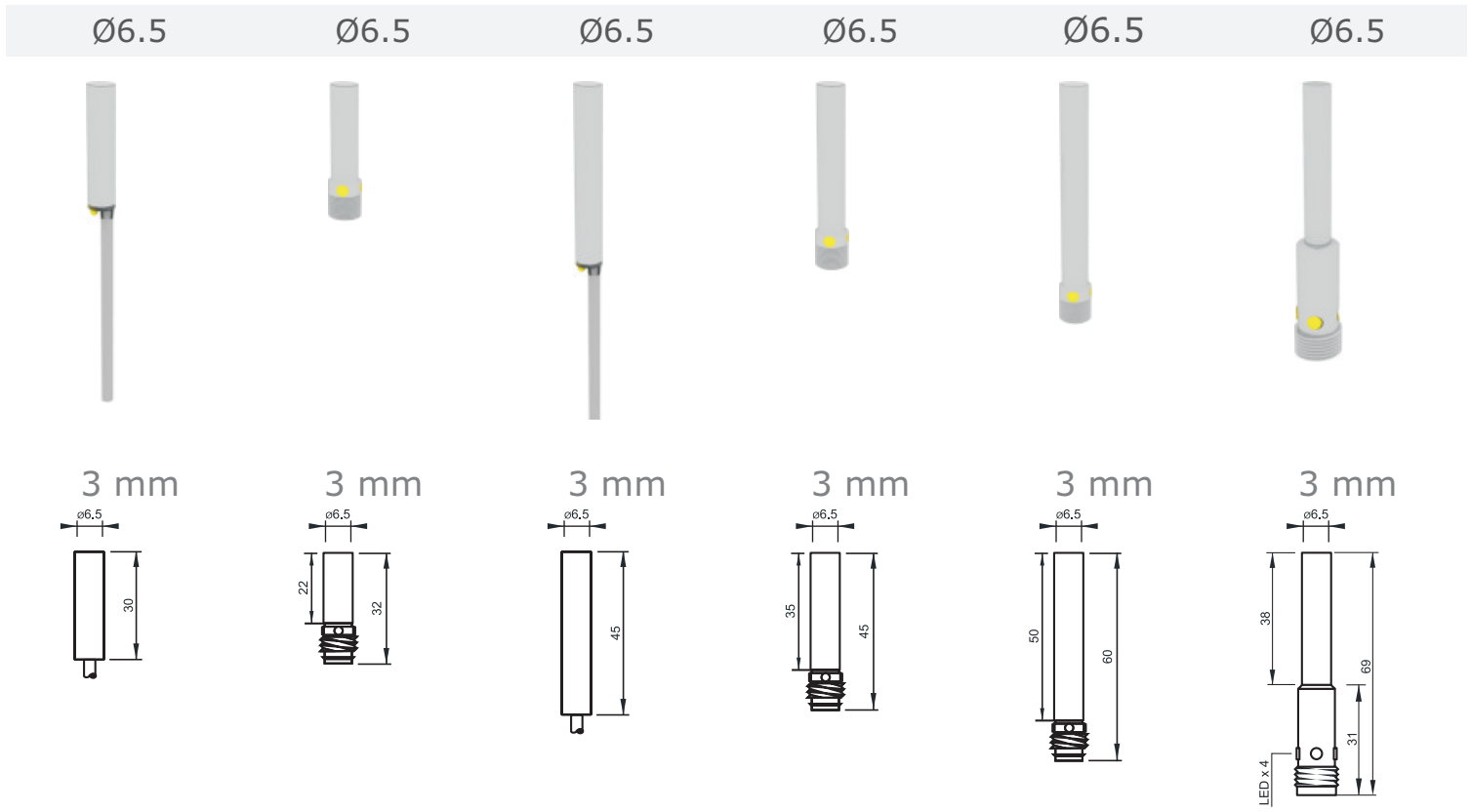
Output Schematics



SPECIFICATIONS

	Ø6.5 mm	Ø6.5 mm	Ø6.5 mm	Ø6.5 mm
Sensing Distance	2 mm - Shielded	3 mm - Shielded	3 mm - Shielded	3 mm - Shielded
Operating Voltage	10...30 VDC, 3-wire	10...30 VDC, 3-wire	10...30 VDC, 3-wire	10...30 VDC, 3-wire
Reverse Polarity Protection	built-in	built-in	built-in	built-in
Current Consumption	< 8 mA	< 8 mA	< 8 mA	< 8 mA
Current Load Capability	200 mA	200 mA	200 mA	200 mA
Short Circuit Protection	built-in - self resetting	built-in - self resetting	built-in - self resetting	built-in - self resetting
Voltage Drop	< 1.5 V @ 200 mA	< 1.5 V @ 200 mA	< 1.5 V @ 200 mA	< 1.5 V @ 200 mA
Switching Frequency	2000 Hz	1000 Hz	1000 Hz	1000 Hz
Repeatability	< 1 % (Sn)	< 1 % (Sn)	< 1 % (Sn)	< 1 % (Sn)
Hysteresis	3...15 %	3...15 %	3...15 %	3...15 %
Operating Temperature	-25...75 °C	-25...75 °C	-25...75 °C	-25...75 °C
Protection Class	IP67	IP67	IP67	IP67
Sensing Face Material	POM	POM	POM	POM
Housing Material	1.4305 / SS303	1.4305 / SS303	1.4305 / SS303	1.4305 / SS303
Connection	Connector M12, 4-pole	High-Flex PVC, 2m	Connector M8, 3-pole, 300 mm	Connector M8, 3-pole, 300 mm
Output Indicator	Integrated	Integrated	Integrated	Integrated
Article Code				
PNP - NO, 3-wire	IPSD6-S2PO69/M12	IPSD6-S3PO18/A2P	IPSD6-S3PO18/3P8	IPSD6-S3PO18/R3P8
PNP - NC, 3-wire	IPSD6-S2PC69/M12	IPSD6-S3PC18/A2P	IPSD6-S3PC18/3P8	IPSD6-S3PC18/R3P8
PNP - NO+NC, 4-wire				
NPN - NO, 3-wire	IPSD6-S2NO69/M12	IPSD6-S3NO18/A2P	IPSD6-S3NO18/3P8	IPSD6-S3NO18/R3P8
NPN - NC, 3-wire	IPSD6-S2NC69/M12	IPSD6-S3NC18/A2P	IPSD6-S3NC18/3P8	IPSD6-S3NC18/R3P8
NPN - NO+NC, 4-wire				
Recommended Connecting Cable	M12/3...	-	M8/3...	M8/3...

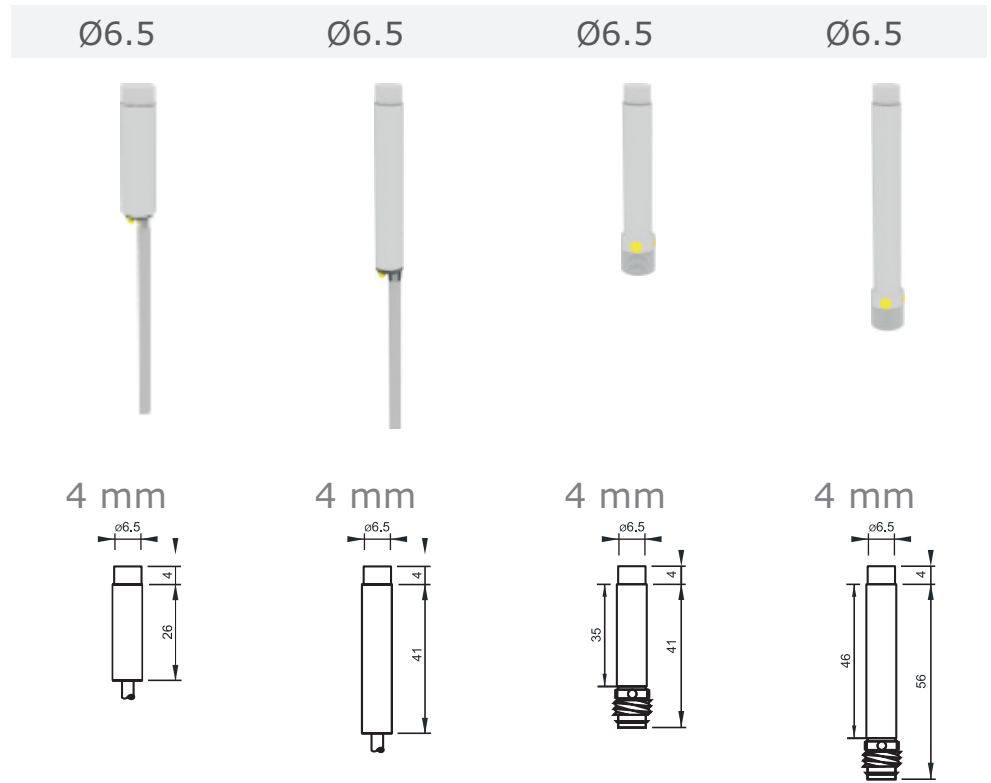
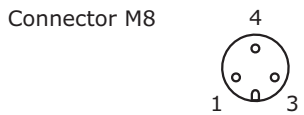
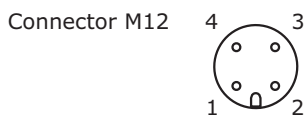
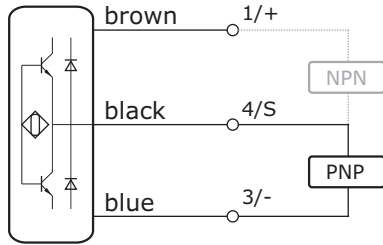
Inductive Proximity Switches



Ø6.5 mm	Ø6.5 mm	Ø6.5 mm	Ø6.5 mm	Ø6.5 mm	Ø6.5 mm
3 mm - Shielded	3 mm - Shielded	3 mm - Shielded	3 mm - Shielded	3 mm - Shielded	3 mm - Shielded
10...30 VDC, 3-wire built-in < 8 mA 200 mA built-in - self resetting < 1.5 V @ 200 mA 1000 Hz < 1 % (Sn) 3...15 % -25...75 °C IP67 POM 1.4305 / SS303 High-Flex PVC, 2m Integrated	10...30 VDC, 3-wire built-in < 8 mA 200 mA built-in - self resetting < 1.5 V @ 200 mA 1000 Hz < 1 % (Sn) 3...15 % -25...75 °C IP67 POM 1.4305 / SS303 Connector M8, 3-pole Integrated	10...30 VDC, 3-wire built-in < 8 mA 200 mA built-in - self resetting < 1.5 V @ 200 mA 1000 Hz < 1 % (Sn) 3...15 % -25...75 °C IP67 POM 1.4305 / SS303 High-Flex PVC, 2m Integrated	10...30 VDC, 3-wire built-in < 8 mA 200 mA built-in - self resetting < 1.5 V @ 200 mA 1000 Hz < 1 % (Sn) 3...15 % -25...75 °C IP67 POM 1.4305 / SS303 Connector M8, 3-pole Integrated	10...30 VDC, 3-wire built-in < 8 mA 200 mA built-in - self resetting < 1.5 V @ 200 mA 1000 Hz < 1 % (Sn) 3...15 % -25...75 °C IP67 POM 1.4305 / SS303 Connector M8, 3-pole Integrated	10...30 VDC, 3-wire built-in < 8 mA 200 mA built-in - self resetting < 1.5 V @ 200 mA 1000 Hz < 1 % (Sn) 3...15 % -25...75 °C IP67 POM 1.4305 / SS303 Connector M12, 4-pole Integrated
IPSD6-S3PO30/A2P IPSD6-S3PC30/A2P	IPSD6-S3PO32/M8 IPSD6-S3PC32/M8	IPSD6-S3PO45/A2P IPSD6-S3PC45/A2P	IPSD6-S3PO45/M8 IPSD6-S3PC45/M8	IPSD6-S3PO60/M8 IPSD6-S3PC60/M8	IPSD6-S3PO70/M12 IPSD6-S3PC70/M12
IPSD6-S3NO30/A2P IPSD6-S3NC30/A2P	IPSD6-S3NO32/M8 IPSD6-S3NC32/M8	IPSD6-S3NO45/A2P IPSD6-S3NC45/A2P	IPSD6-S3NO45/M8 IPSD6-S3NC45/M8	IPSD6-S3NO60/M8 IPSD6-S3NC60/M8	IPSD6-S3NO70/M12 IPSD6-S3NC70/M12
-	M8/3...	-	M8/3...	M8/3...	M12/3...

Inductive Proximity Switches

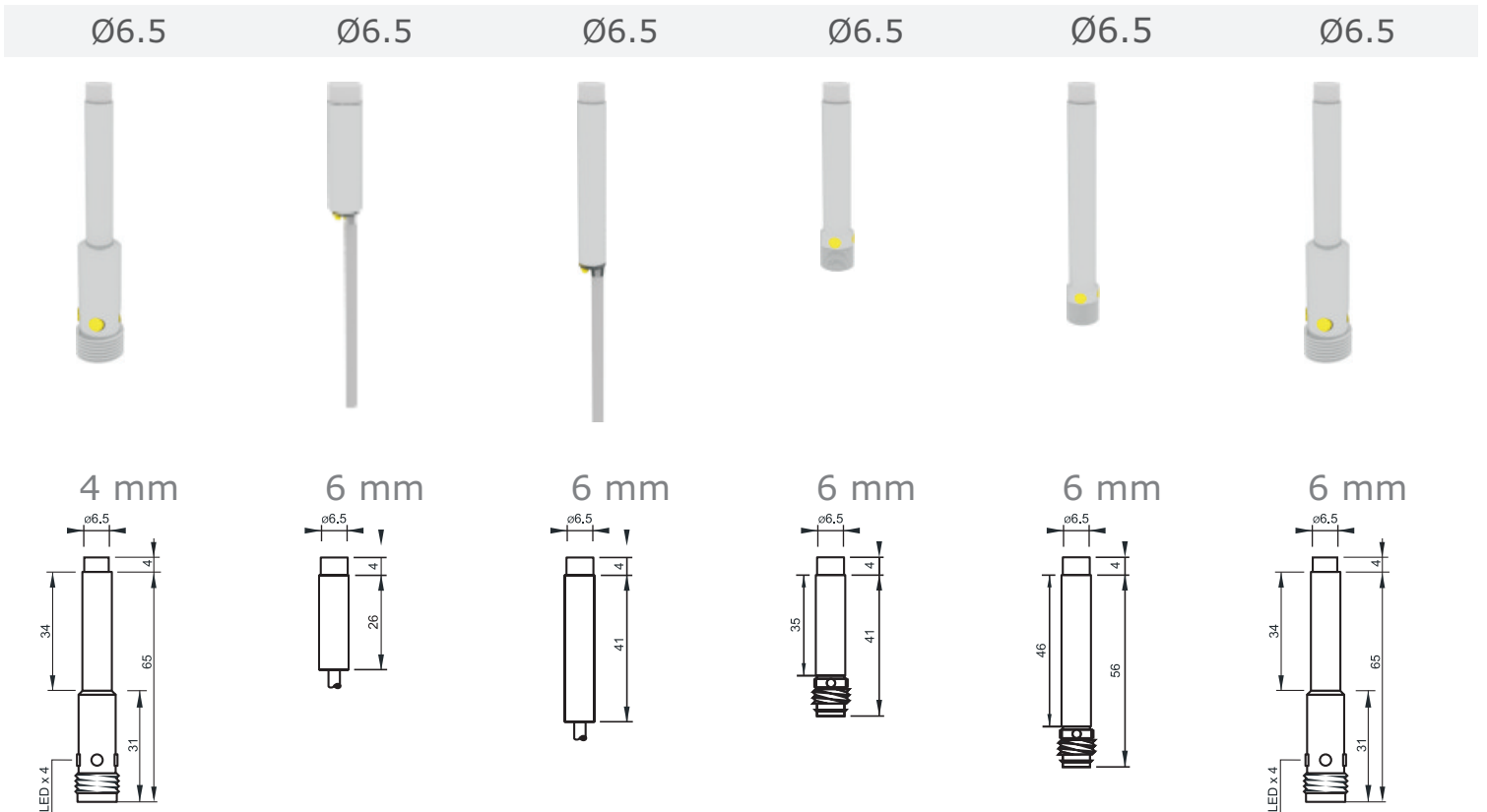
Output Schematics



SPECIFICATIONS

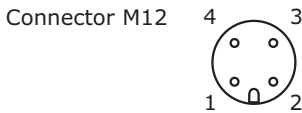
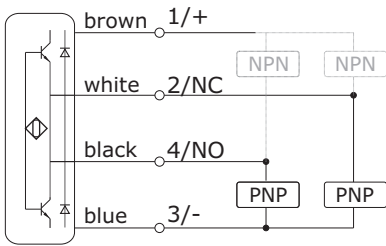
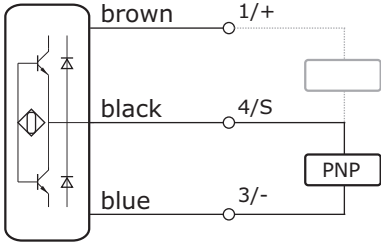
	Ø6.5 mm	Ø6.5 mm	Ø6.5 mm	Ø6.5 mm
Sensing Distance	4 mm - Unshielded	4 mm - Unshielded	4 mm - Unshielded	4 mm - Unshielded
Operating Voltage	10...30 VDC, 3-wire	10...30 VDC, 3-wire	10...30 VDC, 3-wire	10...30 VDC, 3-wire
Reverse Polarity Protection	built-in	built-in	built-in	built-in
Current Consumption	< 8 mA	< 8 mA	< 8 mA	< 8 mA
Current Load Capability	200 mA	200 mA	200 mA	200 mA
Short Circuit Protection	built-in - self resetting	built-in - self resetting	built-in - self resetting	built-in - self resetting
Voltage Drop	< 1.5 V @ 200 mA	< 1.5 V @ 200 mA	< 1.5 V @ 200 mA	< 1.5 V @ 200 mA
Switching Frequency	1000 Hz	1000 Hz	1000 Hz	1000 Hz
Repeatability	< 1 % (Sn)	< 1 % (Sn)	< 1 % (Sn)	< 1 % (Sn)
Hysteresis	3...15 %	3...15 %	3...15 %	3...15 %
Operating Temperature	-25...75 °C	-25...75 °C	-25...75 °C	-25...75 °C
Protection Class	IP67	IP67	IP67	IP67
Sensing Face Material	POM	POM	POM	POM
Housing Material	1.4305 / SS303	1.4305 / SS303	1.4305 / SS303	1.4305 / SS303
Connection	High-Flex PVC, 2m	High-Flex PVC, 2m	Connector M8, 3-pole	Connector M8, 3-pole
Output Indicator	Integrated	Integrated	Integrated	Integrated
Article Code				
PNP - NO, 3-wire	IPSD6-N4PO30/A2P	IPSD6-N4PO45/A2P	IPSD6-N4PO45/M8	IPSD6-N4PO60/M8
PNP - NC, 3-wire	IPSD6-N4PC30/A2P	IPSD6-N4PC45/A2P	IPSD6-N4PC45/M8	IPSD6-N4PC60/M8
PNP - NO+NC, 4-wire				
NPN - NO, 3-wire	IPSD6-N4NO30/A2P	IPSD6-N4NO30/A2P	IPSD6-N4NO45/M8	IPSD6-N4NO60/M8
NPN - NC, 3-wire	IPSD6-N4NC30/A2P	IPSD6-N4NC45/A2P	IPSD6-N4NC45/M8	IPSD6-N4NC60/M8
NPN - NO+NC, 4-wire				
Recommended Connecting Cable	-	-	M8/3...	M8/3...

Inductive Proximity Switches

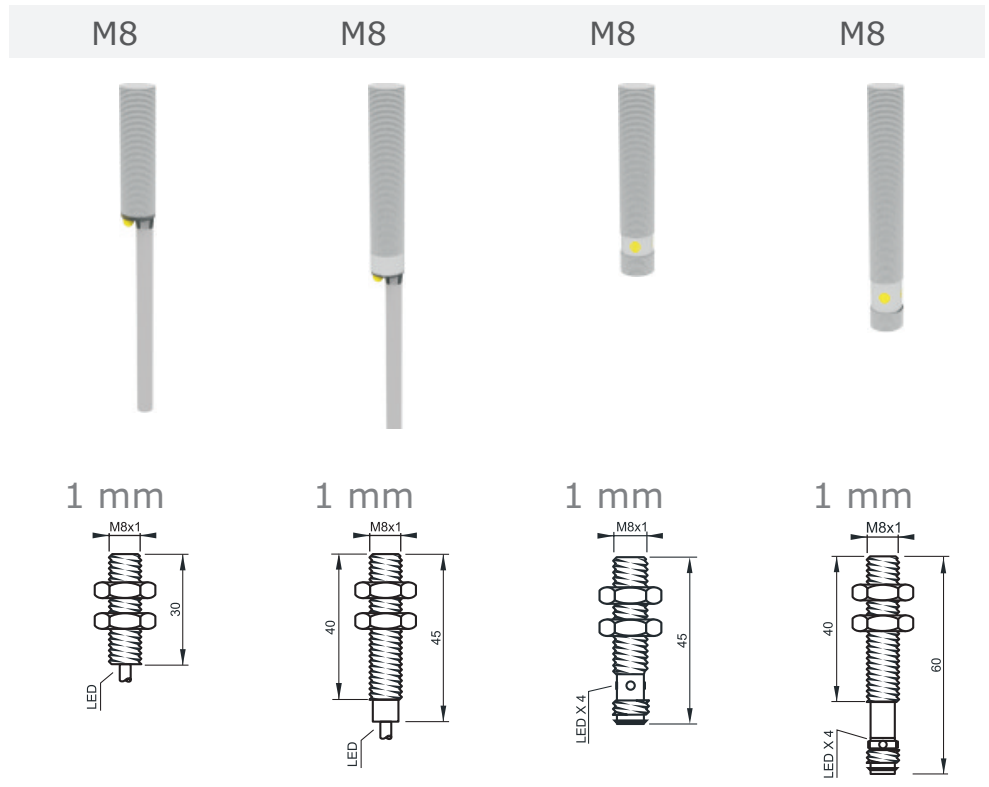


Ø6.5 mm	Ø6.5 mm	Ø6.5 mm	Ø6.5 mm	Ø6.5 mm	Ø6.5 mm
4 mm - Unshielded	6 mm - Unshielded	6 mm - Unshielded	6 mm - Unshielded	6 mm - Unshielded	6 mm - Unshielded
10...30 VDC, 3-wire built-in	10...30 VDC, 3-wire built-in	10...30 VDC, 3-wire built-in	10...30 VDC, 3-wire built-in	10...30 VDC, 3-wire built-in	10...30 VDC, 3-wire built-in
< 8 mA	< 8 mA	< 8 mA	< 8 mA	< 8 mA	< 8 mA
200 mA	200 mA	200 mA	200 mA	200 mA	200 mA
built-in - self resetting	built-in - self resetting	built-in - self resetting	built-in - self resetting	built-in - self resetting	built-in - self resetting
< 1.5 V @ 200 mA	< 1.5 V @ 200 mA	< 1.5 V @ 200 mA	< 1.5 V @ 200 mA	< 1.5 V @ 200 mA	< 1.5 V @ 200 mA
1000 Hz	500 Hz	500 Hz	500 Hz	500 Hz	500 Hz
< 1 % (Sn)	< 1 % (Sn)	< 1 % (Sn)	< 1 % (Sn)	< 1 % (Sn)	< 1 % (Sn)
3...15 %	3...15 %	3...15 %	3...15 %	3...15 %	3...15 %
-25...75 °C	-25...75 °C	-25...75 °C	-25...75 °C	-25...75 °C	-25...75 °C
IP67	IP67	IP67	IP67	IP67	IP67
POM	POM	POM	POM	POM	POM
1.4305 / SS303	1.4305 / SS303	1.4305 / SS303	1.4305 / SS303	1.4305 / SS303	1.4305 / SS303
Connector M12, 4-pole Integrated	High-Flex PVC, 2m Integrated	High-Flex PVC, 2m Integrated	Connector M8, 3-pole Integrated	Connector M8, 3-pole Integrated	Connector M12, 4-pole Integrated
IPSD6-N4PO69/M12	IPSD6-N6PO30/A2P	IPSD6-N6PO45/A2P	IPSD6-N6PO45/M8	IPSD6-N6PO60/M8	IPSD6-N6PO70/M12
IPSD6-N4PC69/M12	IPSD6-N6P305/A2P	IPSD6-N6PC45/A2P	IPSD6-N6PC45/M8	IPSD6-N6PC60/M8	IPSD6-N6PC70/M12
IPSD6-N4NO69/M12	IPSD6-N63045/A2P	IPSD6-N6NO45/A2P	IPSD6-N6NO45/M8	IPSD6-N6NO60/M8	IPSD6-N6NO70/M12
IPSD6-N4NC69/M12	IPSD6-N30C45/A2P	IPSD6-N6NC45/A2P	IPSD6-N6NC45/M8	IPSD6-N6NC60/M8	IPSD6-N6NC70/M12
M12/3...	-	-	M8/3...	M8/3...	M12/3...

Output Schematics



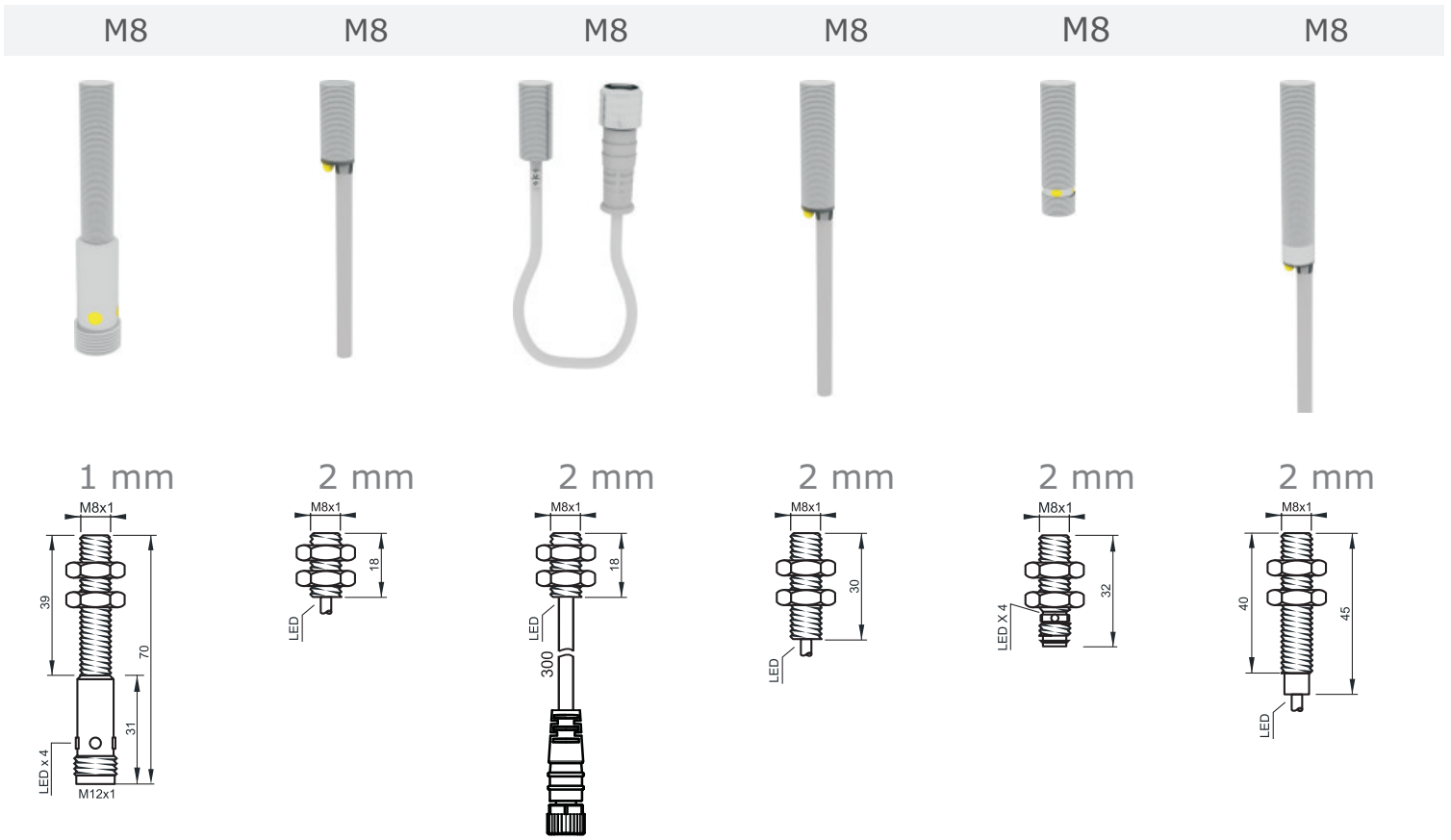
Not to be used for Safety Applications



SPECIFICATIONS

	M8x1	M8x1	M8x1	M8x1
Sensing Distance	1 mm - Shielded	1 mm - Shielded	1 mm - Shielded	1 mm - Shielded
Operating Voltage	10...30 VDC, 3-wire	10...30 VDC, 3-wire	10...30 VDC, 3-wire	10...30 VDC, 3-wire
Reverse Polarity Protection	built-in	built-in	built-in	built-in
Current Consumption	< 8 mA	< 8 mA	< 8 mA	< 8 mA
Current Load Capability	200 mA	200 mA	200 mA	200 mA
Short Circuit Protection	built-in - self resetting	built-in - self resetting	built-in - self resetting	built-in - self resetting
Voltage Drop	< 1.5 V @ 200 mA	< 1.5 V @ 200 mA	< 1.5 V @ 200 mA	< 1.5 V @ 200 mA
Switching Frequency	2000 Hz	2000 Hz	2000 Hz	2000 Hz
Repeatability	< 1 % (Sn)	< 1 % (Sn)	< 1 % (Sn)	< 1 % (Sn)
Hysteresis	3...15 %	3...15 %	3...15 %	3...15 %
Operating Temperature	-25...75 °C	-25...75 °C	-25...75 °C	-25...75 °C
Protection Class	IP67	IP67	IP67	IP67
Sensing Face Material	POM	POM	POM	POM
Housing Material	1.4305 / SS303	1.4305 / SS303	1.4305 / SS303	1.4305 / SS303
Connection	High-Flex PVC, 2m	High-Flex PVC, 2m	Connector M8, 3-pole	Connector M8, 3-pole
Output Indicator	Integrated	Integrated	Integrated	Integrated
Article Code				
PNP - NO, 3-wire	IPS8-S1PO30/A2P	IPS8-S1PO45/A2P	IPS8-S1PO45/M8	IPS8-S1PO60/M8
PNP - NC, 3-wire	IPS8-S1PC30/A2P	IPS8-S1PC45/A2P	IPS8-S1PC45/M8	IPS8-S1PC60/M8
PNP - NO+NC, 4-wire				
NPN - NO, 3-wire	IPS8-S1NO30/A2P	IPS8-S1NO45/A2P	IPS8-S1NO45/M8	IPS8-S1NO60/M8
NPN - NC, 3-wire	IPS8-S1NC30/A2P	IPS8-S1NC45/A2P	IPS8-S1NC45/M8	IPS8-S1NC60/M8
NPN - NO+NC, 4-wire				
10...55 VDC - NO, 2-wire		IPS8-S1DO45/A2P		IPS8-S1DO60/M8
10...55 VDC - NC, 2-wire		IPS8-S1DC45/A2P		IPS8-S1DC60/M8
Recommended Connecting Cable	-	-	M8/3...	M8/3...

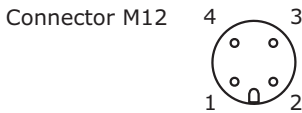
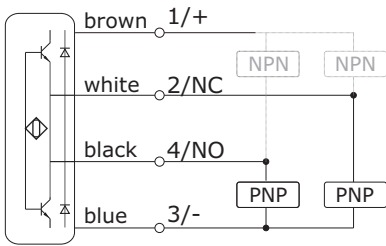
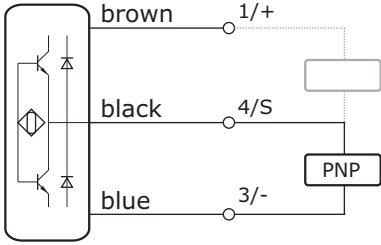
Inductive Proximity Switches



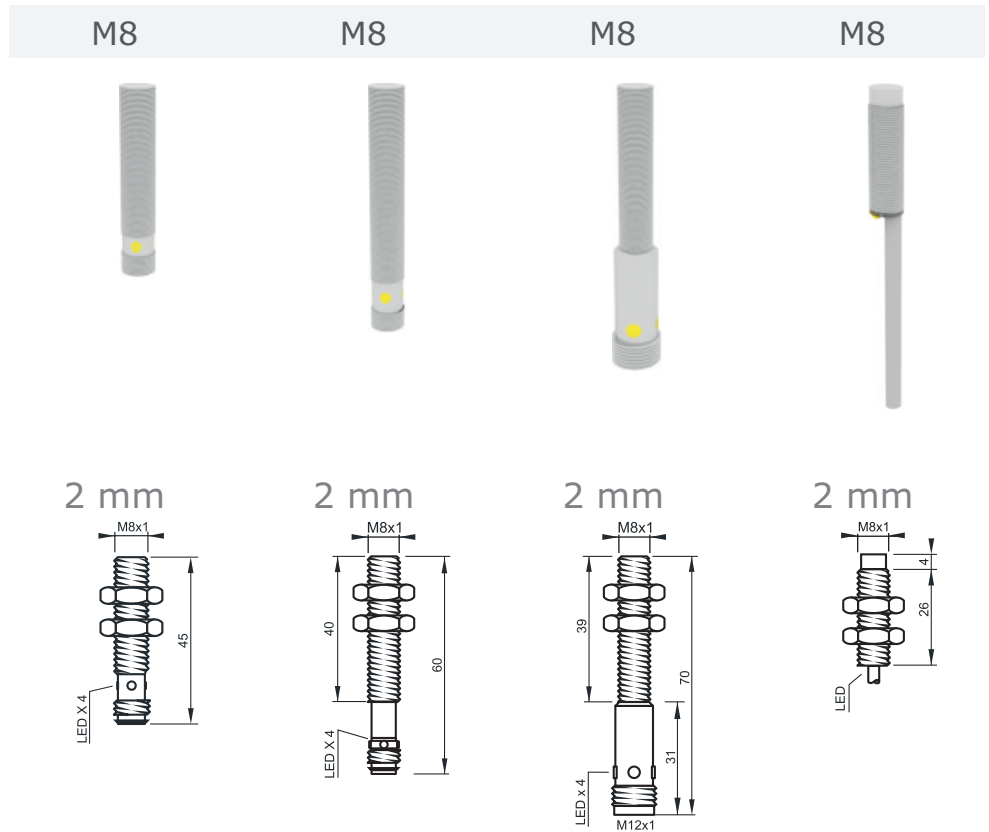
M8x1	M8x1	M8x1	M8x1	M8x1	M8x1
1 mm - Shielded	2 mm - Shielded	2 mm - Shielded	2 mm - Shielded	2 mm - Shielded	2 mm - Shielded
10...30 VDC, 3-wire built-in	10...30 VDC, 3-wire built-in	10...30 VDC, 3-wire built-in	10...30 VDC, 3-wire built-in	10...30 VDC, 3-wire built-in	10...30 VDC, 3-wire built-in
< 8 mA	< 8 mA	< 8 mA	< 8 mA	< 8 mA	< 8 mA
200 mA	200 mA	200 mA	200 mA	200 mA	200 mA
built-in - self resetting	built-in - self resetting	built-in - self resetting	built-in - self resetting	built-in - self resetting	built-in - self resetting
< 1.5 V @ 200 mA	< 1.5 V @ 200 mA	< 1.5 V @ 200 mA	< 1.5 V @ 200 mA	< 1.5 V @ 200 mA	< 1.5 V @ 200 mA
2000 Hz	2000 Hz	2000 Hz	2000 Hz	2000 Hz	2000 Hz
< 1 % (Sn)	< 1 % (Sn)	< 1 % (Sn)	< 1 % (Sn)	< 1 % (Sn)	< 1 % (Sn)
3...15 %	3...15 %	3...15 %	3...15 %	3...15 %	3...15 %
-25...75 °C	-25...75 °C	-25...75 °C	-25...75 °C	-25...75 °C	-25...75 °C
IP67	IP67	IP67	IP67	IP67	IP67
POM	POM	POM	POM	POM	POM
1.4305 / SS303	1.4305 / SS303	1.4305 / SS303	1.4305 / SS303	1.4305 / SS303	1.4305 / SS303
Connector M12, 4-pole Integrated	High-Flex PVC, 2m Integrated	Connector M8, 3-pole, 300 mm Integrated	High-Flex PVC, 2m Integrated	Connector M8, 3-pole Integrated	High-Flex PVC, 2m Integrated
IPS8-S1PO70/M12	IPS8-S2PO18/A2P	IPS8-S2PO18/3P8	IPS8-S2PO30/A2P	IPS8-S2PO32/M8	IPS8-S2PO45/A2P
IPS8-S1PC70/M12	IPS8-S2PC18/A2P	IPS8-S2PC18/3P8	IPS8-S2PC30/A2P	IPS8-S2PC32/M8	IPS8-S2PC45/A2P
			IPS8-S2PCO30/A2P		IPS8-S2PCO45/A2P
IPS8-S1NO70/M12	IPS8-S2NO18/A2P	IPS8-S2NO18/3P8	IPS8-S2NO30/A2P	IPS8-S2NO32/M8	IPS8-S2NO45/A2P
IPS8-S1NC70/M12	IPS8-S2NC18/A2P	IPS8-S2NC18/3P8	IPS8-S2NC30/A2P	IPS8-S2NC32/M8	IPS8-S2NC45/A2P
			IPS8-S2NCO30/A2P		IPS8-S2NCO45/A2P
IPS8-S1DO70/M12					
IPS8-S1DC70/M12					
M8/3...	-	M8/3...	-	M8/3...	-

Inductive Proximity Switches

Output Schematics



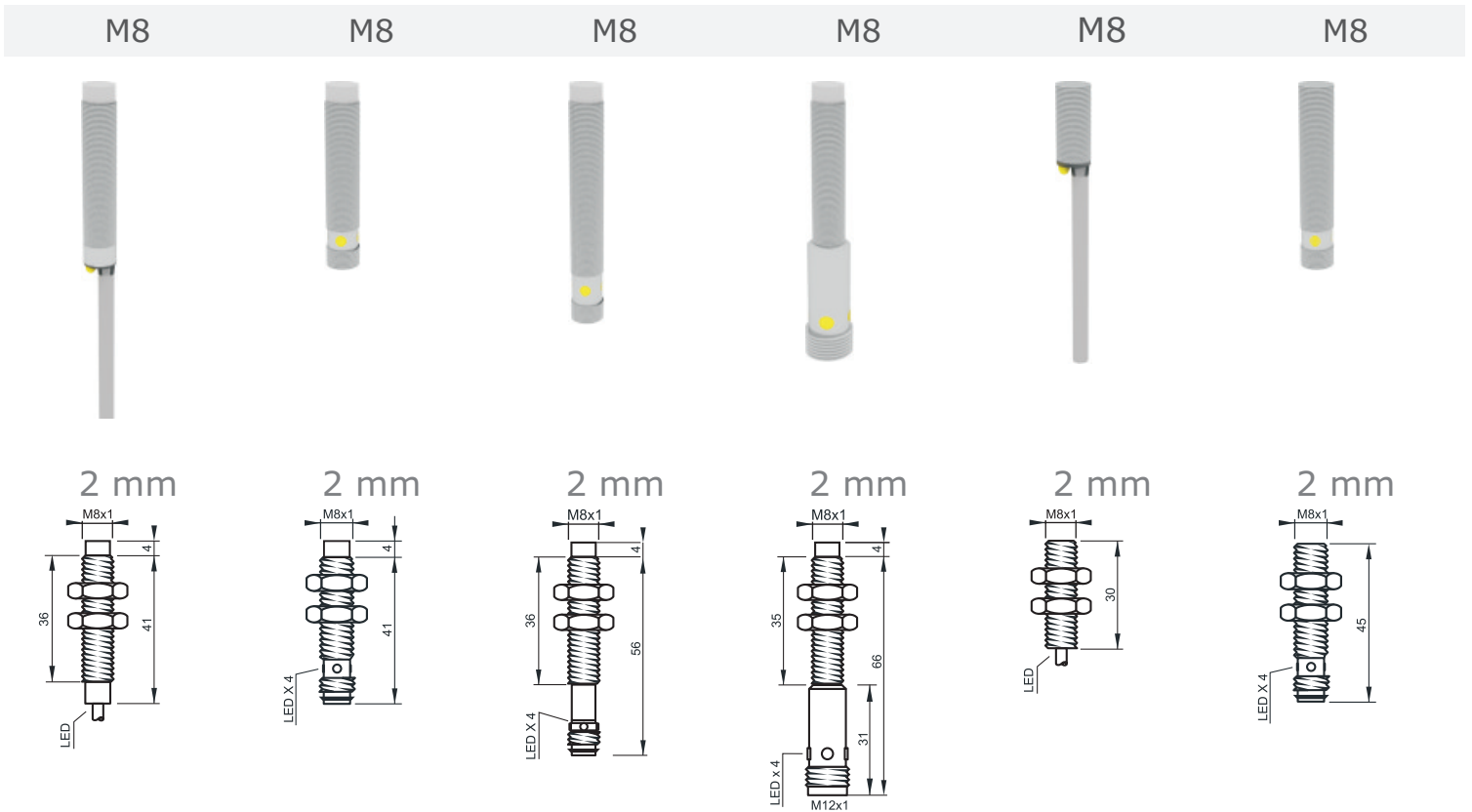
Not to be used for Safety Applications



SPECIFICATIONS

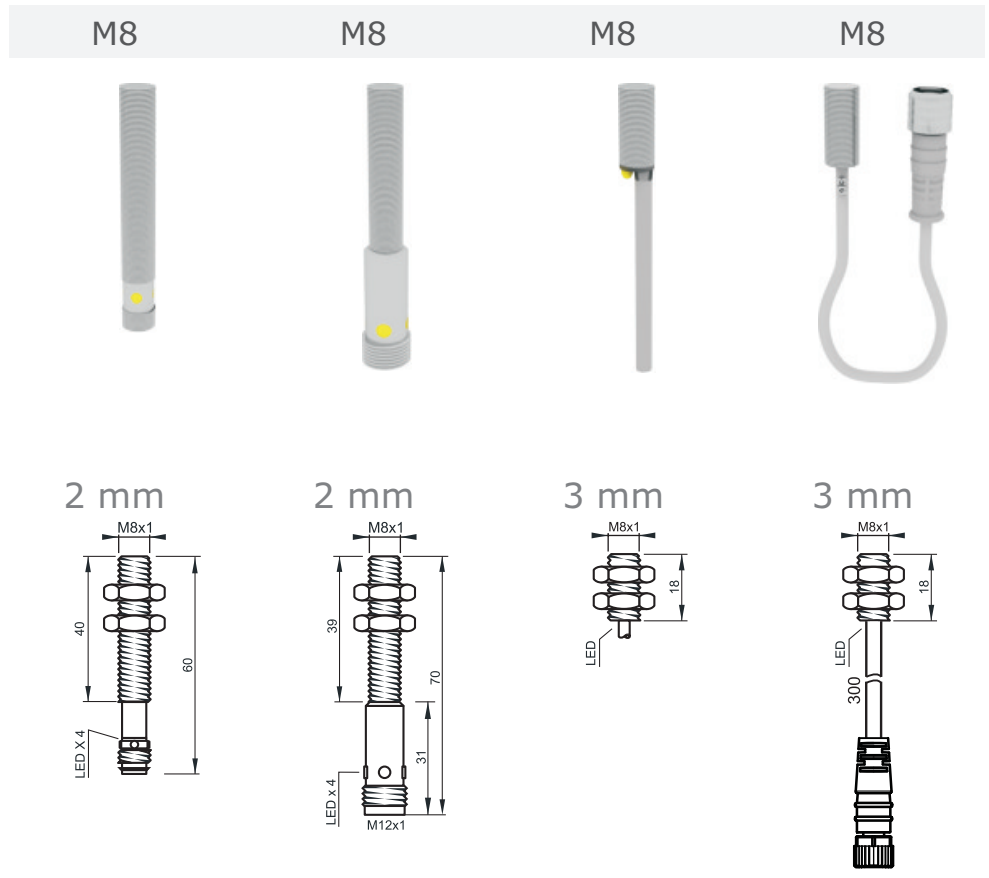
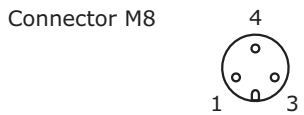
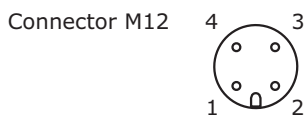
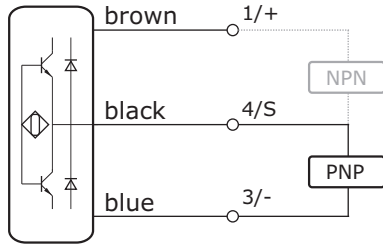
	M8x1	M8x1	M8x1	M8x1
Sensing Distance	2 mm - Shielded	2 mm - Shielded	2 mm - Shielded	2 mm - Unshielded
Operating Voltage	10...30 VDC, 3-wire	10...30 VDC, 3-wire	10...30 VDC, 3-wire	10...30 VDC, 3-wire
Reverse Polarity Protection	built-in	built-in	built-in	built-in
Current Consumption	< 8 mA	< 8 mA	< 8 mA	< 8 mA
Current Load Capability	200 mA	200 mA	200 mA	200 mA
Short Circuit Protection	built-in - self resetting	built-in - self resetting	built-in - self resetting	built-in - self resetting
Voltage Drop	< 1.5 V @ 200 mA	< 1.5 V @ 200 mA	< 1.5 V @ 200 mA	< 1.5 V @ 200 mA
Switching Frequency	2000 Hz	2000 Hz	2000 Hz	2000 Hz
Repeatability	< 1 % (Sn)	< 1 % (Sn)	< 1 % (Sn)	< 1 % (Sn)
Hysteresis	3...15 %	3...15 %	3...15 %	3...15 %
Operating Temperature	-25...75 °C	-25...75 °C	-25...75 °C	-25...75 °C
Protection Class	IP67	IP67	IP67	IP67
Sensing Face Material	POM	POM	POM	POM
Housing Material	1.4305 / SS303	1.4305 / SS303	1.4305 / SS303	1.4305 / SS303
Connection	Connector M8, 3-pole	Connector M8, 3-pole	Connector M12, 4-pole	High-Flex PVC, 2m
Output Indicator	Integrated	Integrated	Integrated	Integrated
Article Code				
PNP - NO, 3-wire	IPS8-S2PO45/M8	IPS8-S2PO60/M8	IPS8-S2PO70/M12	IPS8-N2PO30/A2P
PNP - NC, 3-wire	IPS8-S2PC45/M8	IPS8-S2PC60/M8	IPS8-S2PC70/M12	IPS8-N2PC30/A2P
PNP - NO+NC, 4-wire	IPS8-S2PCO45/M8	IPS8-S2PCO60/M8	IPS8-S2PCO70/M12	
NPN - NO, 3-wire	IPS8-S2NO45/M8	IPS8-S2NO60/M8	IPS8-S2NO70/M12	IPS8-N2NO30/A2P
NPN - NC, 3-wire	IPS8-S2NC45/M8	IPS8-S2NC60/M8	IPS8-S2NC70/M12	IPS8-N2NC30/A2P
NPN - NO+NC, 4-wire	IPS8-S2NCO45/M8	IPS8-S2NCO60/M8	IPS8-S2NCO70/M12	
10...55 VDC - NO, 2-wire				
10...55 VDC - NC, 2-wire				
Recommended Connecting Cable	M8/3... / M8/4...	M8/3... / M8/4...	M12/3... / M12/4...	-

Inductive Proximity Switches



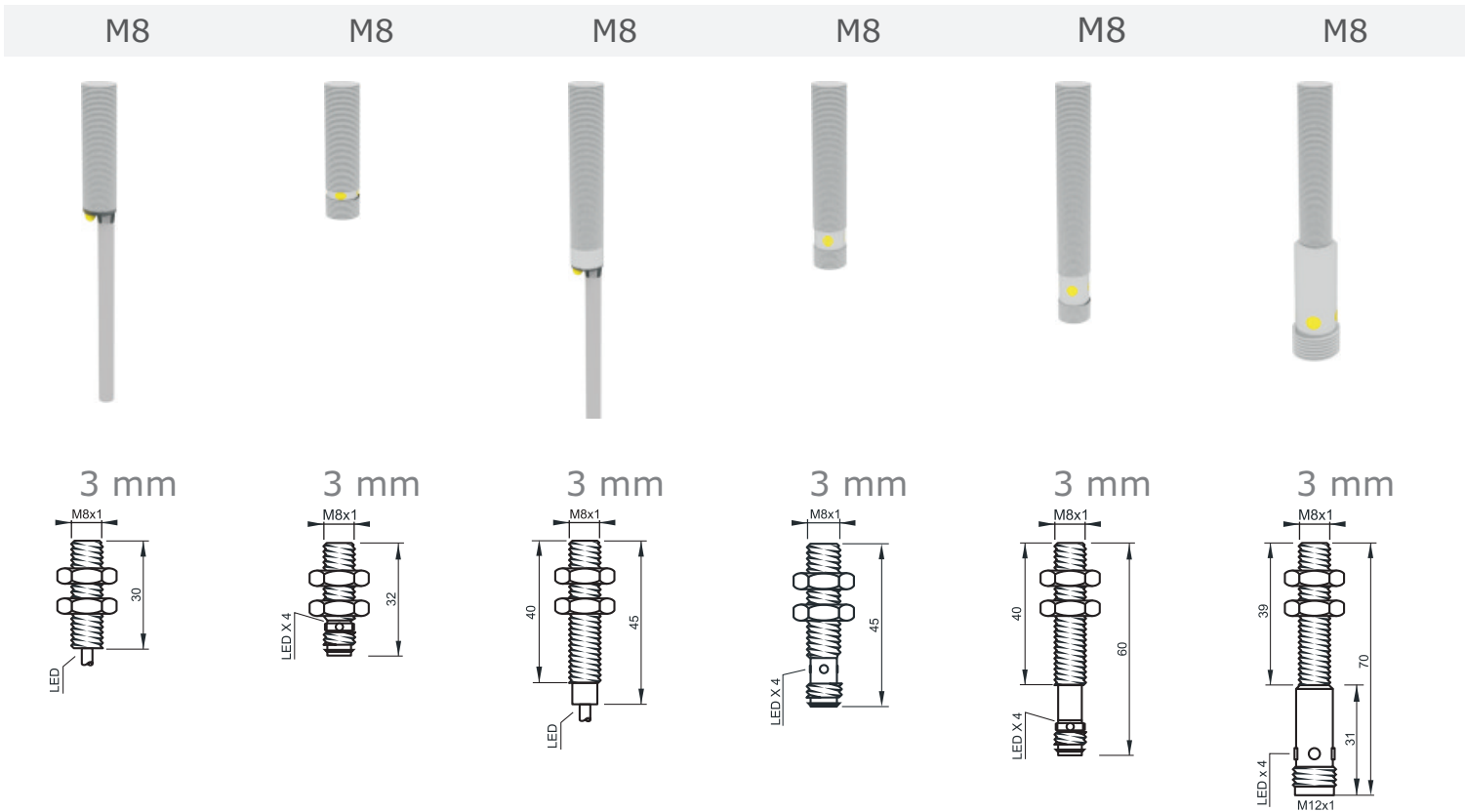
M8x1	M8x1	M8x1	M8x1	M8 Metal Face	M8 Metal Face
2 mm - Unshielded	2 mm - Unshielded	2 mm - Unshielded	2 mm - Unshielded	2 mm - Shielded	2 mm - Shielded
10...30 VDC, 3-wire built-in	10...30 VDC, 3-wire built-in	10...30 VDC, 3-wire built-in	10...30 VDC, 3-wire built-in	10...30 VDC, 3-wire built-in	10...30 VDC, 3-wire built-in
< 8 mA	< 8 mA	< 8 mA	< 8 mA	< 8 mA	< 8 mA
200 mA	200 mA	200 mA	200 mA	200 mA	200 mA
built-in - self resetting	built-in - self resetting	built-in - self resetting	built-in - self resetting	built-in - self resetting	built-in - self resetting
< 1.5 V @ 200 mA	< 1.5 V @ 200 mA	< 1.5 V @ 200 mA	< 1.5 V @ 200 mA	< 1.5 V @ 200 mA	< 1.5 V @ 200 mA
2000 Hz	2000 Hz	2000 Hz	2000 Hz	1000 Hz	1000 Hz
< 1 % (Sn)	< 1 % (Sn)	< 1 % (Sn)	< 1 % (Sn)	< 1 % (Sn)	< 1 % (Sn)
3...15 %	3...15 %	3...15 %	3...15 %	3...15 %	3...15 %
-25...75 °C	-25...75 °C	-25...75 °C	-25...75 °C	-25...75 °C	-25...75 °C
IP67	IP67	IP67	IP67	IP69k, Conn. IP67	IP69k, Conn. IP67
POM	POM	POM	POM	1.4305 / SS303	1.4305 / SS303
1.4305 / SS303	1.4305 / SS303	1.4305 / SS303	1.4305 / SS303	1.4305 / SS303	1.4305 / SS303
High-Flex PVC, 2m Integrated	Connector M8, 3-pole Integrated	Connector M8, 3-pole Integrated	Connector M12, 4-pole Integrated	High-Flex PVC, 2m Integrated	Connector M8, 3-pole Integrated
IPS8-N2PO45/A2P IPS8-N2PC45/A2P	IPS8-N2PO45/M8 IPS8-N2PC45/M8	IPS8-N2PO60/M8 IPS8-N2PC60/M8	IPS8-N2PO70/M12 IPS8-N2PC70/M12	IMF8-S2PO30/A2P IMF8-S2PC30/A2P	IMF8-S2PO45/M8 IMF8-S2PC45/M8
IPS8-N2NO45/A2P IPS8-N2NC45/A2P	IPS8-N2NO45/M8 IPS8-N2NC45/M8	IPS8-N2NO60/M8 IPS8-N2NC60/M8	IPS8-N2NO70/M12 IPS8-N2NC70/M12	IMF8-S2NO30/A2P IMF8-S2NC30/A2P	IMF8-S2NO45/M8 IMF8-S2NC45/M8
IPS8-N2DO45/A2P IPS8-N2DC45/A2P -	M8/3...	M8/3...	M8/3...	-	M8/3...

Output Schematics



SPECIFICATIONS

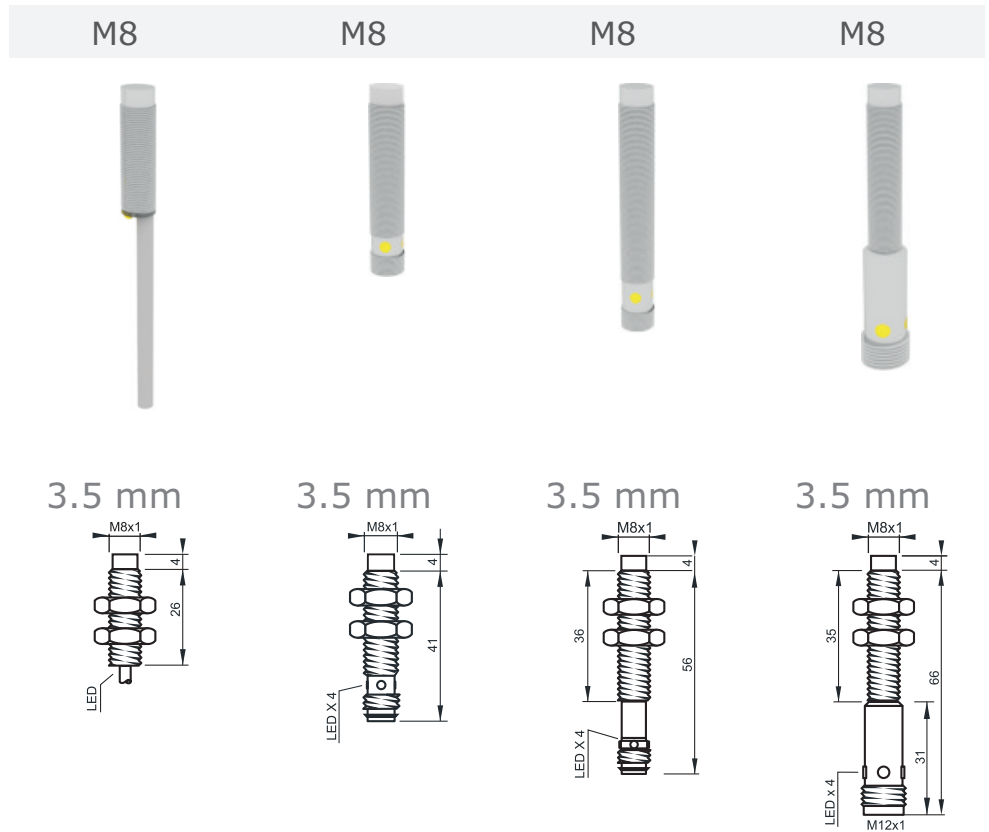
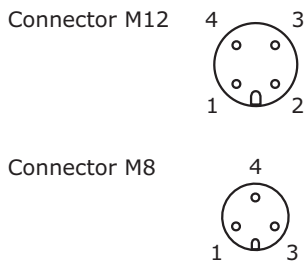
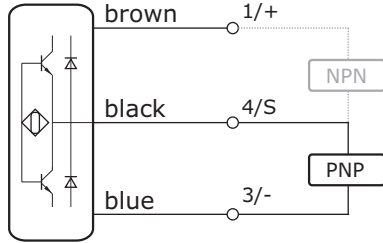
	M8 Metal Face	M8 Metal Face	M8x1	M8x1
Sensing Distance	2 mm - Shielded	2 mm - Shielded	3 mm - Shielded	3 mm - Shielded
Operating Voltage	10...30 VDC, 3-wire	10...30 VDC, 3-wire	10...30 VDC, 3-wire	10...30 VDC, 3-wire
Reverse Polarity Protection	built-in	built-in	built-in	built-in
Current Consumption	< 8 mA	< 8 mA	< 8 mA	< 8 mA
Current Load Capability	200 mA	200 mA	200 mA	200 mA
Short Circuit Protection	built-in - self resetting	built-in - self resetting	built-in - self resetting	built-in - self resetting
Voltage Drop	< 1.5 V @ 200 mA	< 1.5 V @ 200 mA	< 1.5 V @ 200 mA	< 1.5 V @ 200 mA
Switching Frequency	1000 Hz	1000 Hz	1000 Hz	1000 Hz
Repeatability	< 1 % (Sn)	< 1 % (Sn)	< 1 % (Sn)	< 1 % (Sn)
Hysteresis	3...15 %	3...15 %	3...15 %	3...15 %
Operating Temperature	-25...75 °C	-25...75 °C	-25...75 °C	-25...75 °C
Protection Class	IP69k, Conn. IP67	IP69k, Conn. IP67	IP67	IP67
Sensing Face Material	1.4305 / SS303	1.4305 / SS303	POM	POM
Housing Material	1.4305 / SS303	1.4305 / SS303	1.4305 / SS303	1.4305 / SS303
Connection	Connector M8, 3-pole	Connector M12, 4-pole	High-Flex PVC, 2m	Connector M8, 3-pole, 300 mm
Output Indicator	Integrated	Integrated	Integrated	Integrated
Article Code				
PNP - NO, 3-wire	IMF8-S2PO60/M8	IMF8-S2PO70/M12	IPS8-S3PO18/A2P	IPS8-S3PO18/3P8
PNP - NC, 3-wire	IMF8-S2PC60/M8	IMF8-S2PC70/M12	IPS8-S3PC18/A2P	IPS8-S3PC18/3P8
PNP - NO+NC, 4-wire				
NPN - NO, 3-wire	IMF8-S2NO60/M8	IMF8-S2NO70/M12	IPS8-S3NO18/A2P	IPS8-S3NO18/3P8
NPN - NC, 3-wire	IMF8-S2NC60/M8	IMF8-S2NC70/M12	IPS8-S3NC18/A2P	IPS8-S3NC18/3P8
NPN - NO+NC, 4-wire				
Recommended Connecting Cable	M8/3...	M12/3...	-	M8/3...



M8x1	M8x1	M8x1	M8x1	M8x1	M8x1
3 mm - Shielded	3 mm - Shielded	3 mm - Shielded	3 mm - Shielded	3 mm - Shielded	3 mm - Shielded
10...30 VDC, 3-wire built-in	10...30 VDC, 3-wire built-in	10...30 VDC, 3-wire built-in	10...30 VDC, 3-wire built-in	10...30 VDC, 3-wire built-in	10...30 VDC, 3-wire built-in
< 8 mA	< 8 mA	< 8 mA	< 8 mA	< 8 mA	< 8 mA
200 mA	200 mA	200 mA	200 mA	200 mA	200 mA
built-in - self resetting	built-in - self resetting	built-in - self resetting	built-in - self resetting	built-in - self resetting	built-in - self resetting
< 1.5 V @ 200 mA	< 1.5 V @ 200 mA	< 1.5 V @ 200 mA	< 1.5 V @ 200 mA	< 1.5 V @ 200 mA	< 1.5 V @ 200 mA
1000 Hz	1000 Hz	1000 Hz	1000 Hz	1000 Hz	1000 Hz
< 1 % (Sn)	< 1 % (Sn)	< 1 % (Sn)	< 1 % (Sn)	< 1 % (Sn)	< 1 % (Sn)
3...15 %	3...15 %	3...15 %	3...15 %	3...15 %	3...15 %
-25...75 °C	-25...75 °C	-25...75 °C	-25...75 °C	-25...75 °C	-25...75 °C
IP67	IP67	IP67	IP67	IP67	IP67
POM	POM	POM	POM	POM	POM
1.4305 / SS303	1.4305 / SS303	1.4305 / SS303	1.4305 / SS303	1.4305 / SS303	1.4305 / SS303
High-Flex PVC, 2m Integrated	Connector M8, 3-pole Integrated	High-Flex PVC, 2m Integrated	Connector M8, 3-pole Integrated	Connector M8, 3-pole Integrated	Connector M12, 4-pole Integrated
IPS8-S3PO30/A2P IPS8-S3PC30/A2P	IPS8-S3PO32/M8 IPS8-S3PC32/M8	IPS8-S3PO45/A2P IPS8-S3PC45/A2P	IPS8-S3PO45/M8 IPS8-S3PC45/M8	IPS8-S3PO60/M8 IPS8-S3PC60/M8	IPS8-S3PO70/M12 IPS8-S3PC70/M12
IPS8-S3NO30/A2P IPS8-S3NC30/A2P	IPS8-S3NO32/M8 IPS8-S3NC32/M8	IPS8-S3NO45/A2P IPS8-S3NC45/A2P	IPS8-S3NO45/M8 IPS8-S3NC45/M8	IPS8-S3NO60/M8 IPS8-S3NC60/M8	IPS8-S3NO70/M12 IPS8-S3NC70/M12
-	M8/3...	-	M8/3...	M8/3...	M12/3...

Inductive Proximity Switches

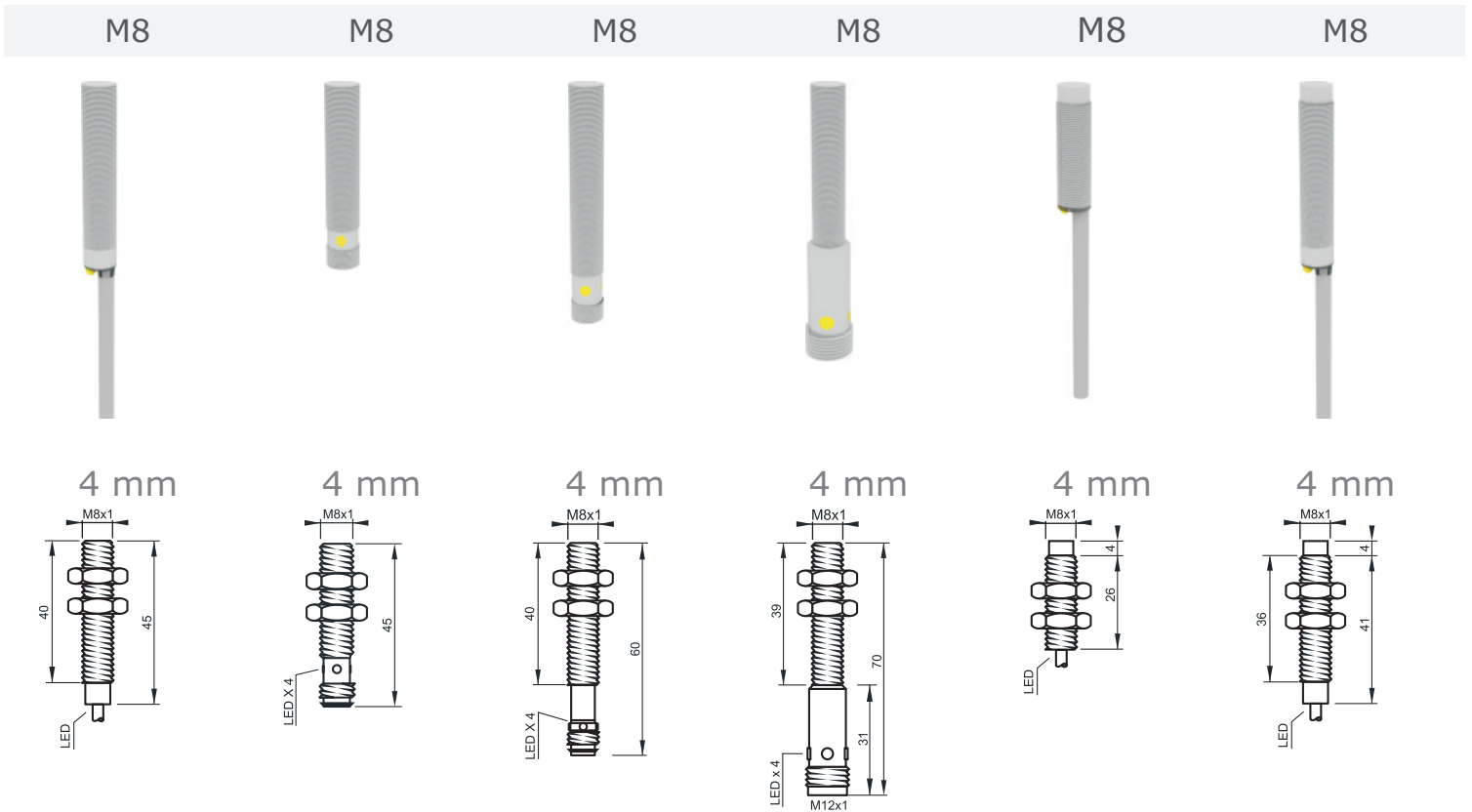
Output Schematics



SPECIFICATIONS

	M8 Metal Face	M8 Metal Face	M8 Metal Face	M8 Metal Face
Sensing Distance	3.5 mm - Unshielded	3.5 mm - Unshielded	3.5 mm - Unshielded	3.5 mm - Unshielded
Operating Voltage	10...30 VDC, 3-wire	10...30 VDC, 3-wire	10...30 VDC, 3-wire	10...30 VDC, 3-wire
Reverse Polarity Protection	built-in	built-in	built-in	built-in
Current Consumption	< 8 mA	< 8 mA	< 8 mA	< 8 mA
Current Load Capability	200 mA	200 mA	200 mA	200 mA
Short Circuit Protection	built-in - self resetting	built-in - self resetting	built-in - self resetting	built-in - self resetting
Voltage Drop	< 1.5 V @ 200 mA	< 1.5 V @ 200 mA	< 1.5 V @ 200 mA	< 1.5 V @ 200 mA
Switching Frequency	1000 Hz	1000 Hz	1000 Hz	1000 Hz
Repeatability	< 1 % (Sn)	< 1 % (Sn)	< 1 % (Sn)	< 1 % (Sn)
Hysteresis	3...15 %	3...15 %	3...15 %	3...15 %
Operating Temperature	-25...75 °C	-25...75 °C	-25...75 °C	-25...75 °C
Protection Class	IP69k, Conn. IP67	IP69k, Conn. IP67	IP69k, Conn. IP67	IP69k, Conn. IP67
Sensing Face Material	1.4305 / SS303	1.4305 / SS303	1.4305 / SS303	1.4305 / SS303
Housing Material	1.4305 / SS303	1.4305 / SS303	1.4305 / SS303	1.4305 / SS303
Connection	High-Flex PVC, 2m	Connector M8, 3-pole	Connector M8, 3-pole	Connector M12, 4-pole
Output Indicator	Integrated	Integrated	Integrated	Integrated
Article Code				
PNP - NO, 3-wire	IMF8-N4PO30/A2P	IMF8-N4PO45/M8	IMF8-N4PO60/M8	IMF8-N4PO70/M12
PNP - NC, 3-wire	IMF8-N4PC30/A2P	IMF8-N4PC45/M8	IMF8-N4PC60/M8	IMF8-N4PC70/M12
PNP - NO+NC, 4-wire				
NPN - NO, 3-wire	IMF8-N4NO30/A2P	IMF8-N4NO45/M8	IMF8-N4NO60/M8	IMF8-N4NO70/M12
NPN - NC, 3-wire	IMF8-N4NC30/A2P	IMF8-N4NC45/M8	IMF8-N4NC60/M8	IMF8-N4NC70/M12
NPN - NO+NC, 4-wire				
Recommended Connecting Cable	-	M8/3...	M8/3...	M12/3...

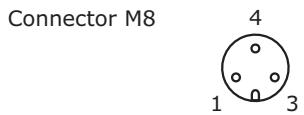
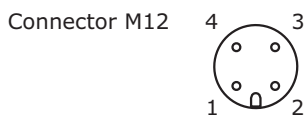
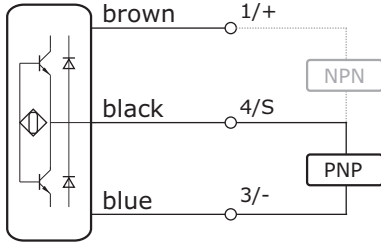
Inductive Proximity Switches



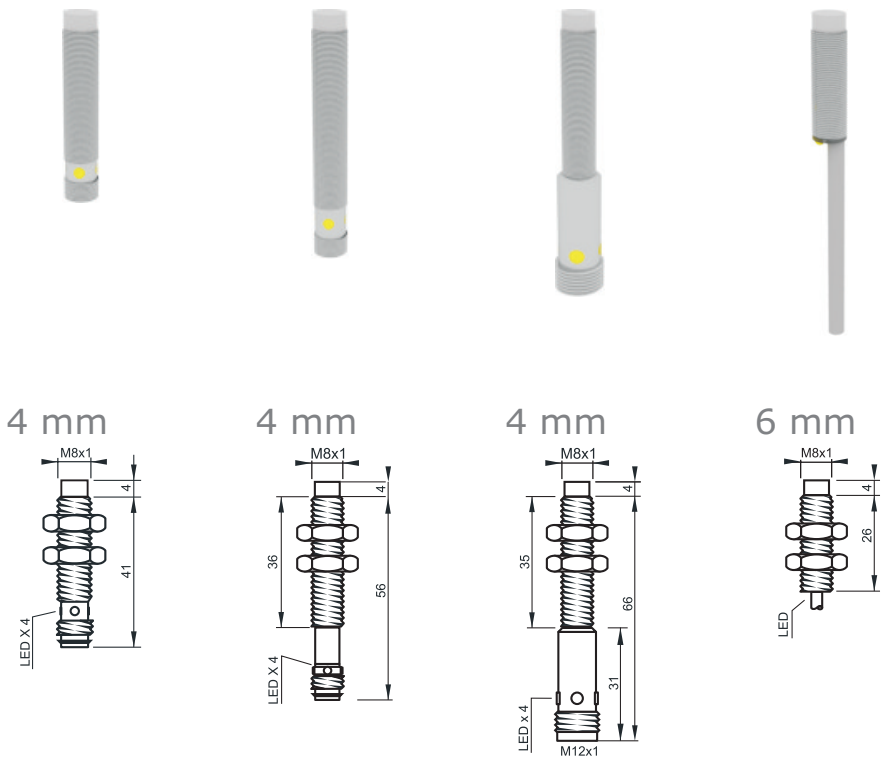
M8 Performance	M8 Performance	M8 Performance	M8 Performance	M8x1	M8x1
4 mm - Shielded	4 mm - Shielded	4 mm - Shielded	4 mm - Shielded	4 mm - Unshielded	4 mm - Unshielded
10...30 VDC, 3-wire built-in	10...30 VDC, 3-wire built-in	10...30 VDC, 3-wire built-in	10...30 VDC, 3-wire built-in	10...30 VDC, 3-wire built-in	10...30 VDC, 3-wire built-in
< 8 mA	< 8 mA	< 8 mA	< 8 mA	< 8 mA	< 8 mA
200 mA	200 mA	200 mA	200 mA	200 mA	200 mA
built-in - self resetting	built-in - self resetting	built-in - self resetting	built-in - self resetting	built-in - self resetting	built-in - self resetting
< 1.5 V @ 200 mA	< 1.5 V @ 200 mA	< 1.5 V @ 200 mA	< 1.5 V @ 200 mA	< 1.5 V @ 200 mA	< 1.5 V @ 200 mA
500 Hz	500 Hz	500 Hz	500 Hz	1000 Hz	1000 Hz
< 1 % (Sn)	< 1 % (Sn)	< 1 % (Sn)	< 1 % (Sn)	< 1 % (Sn)	< 1 % (Sn)
3...15 %	3...15 %	3...15 %	3...15 %	3...15 %	3...15 %
-25...75 °C	-25...75 °C	-25...75 °C	-25...75 °C	-25...75 °C	-25...75 °C
IP67	IP67	IP67	IP67	IP67	IP67
POM	POM	POM	POM	POM	POM
Plated Brass	Plated Brass	Plated Brass	1.4305 / SS303	1.4305 / SS303	1.4305 / SS303
High-Flex PVC, 2m Integrated	Connector M8, 3-pole Integrated	Connector M8, 3-pole Integrated	Connector M12, 4-pole Integrated	High-Flex PVC, 2m Integrated	High-Flex PVC, 2m Integrated
IPS8-S4PO45/A2P IPS8-S4PC45/A2P	IPS8-S4PO45/M8 IPS8-S4PC45/M8	IPS8-S4PO60/M8 IPS8-S4PC60/M8	IPS8-S4PO70/M12 IPS8-S4PC70/M12	IPS8-N4PO30/A2P IPS8-N4PC30/A2P	IPS8-N4PO45/A2P IPS8-N4PC45/A2P
IPS8-S4NO45/A2P IPS8-S4NC45/A2P	IPS8-S4NO45/M8 IPS8-S4NC45/M8	IPS8-S4NO60/M8 IPS8-S4NC60/M8	IPS8-S4NO70/M12 IPS8-S4NC70/M12	IPS8-N4NO30/A2P IPS8-N4NC30/A2P	IPS8-N4NO45/A2P IPS8-N4NC45/A2P
-	M8/3...	M8/3...	M12/3...	-	-

Inductive Proximity Switches

Output Schematics



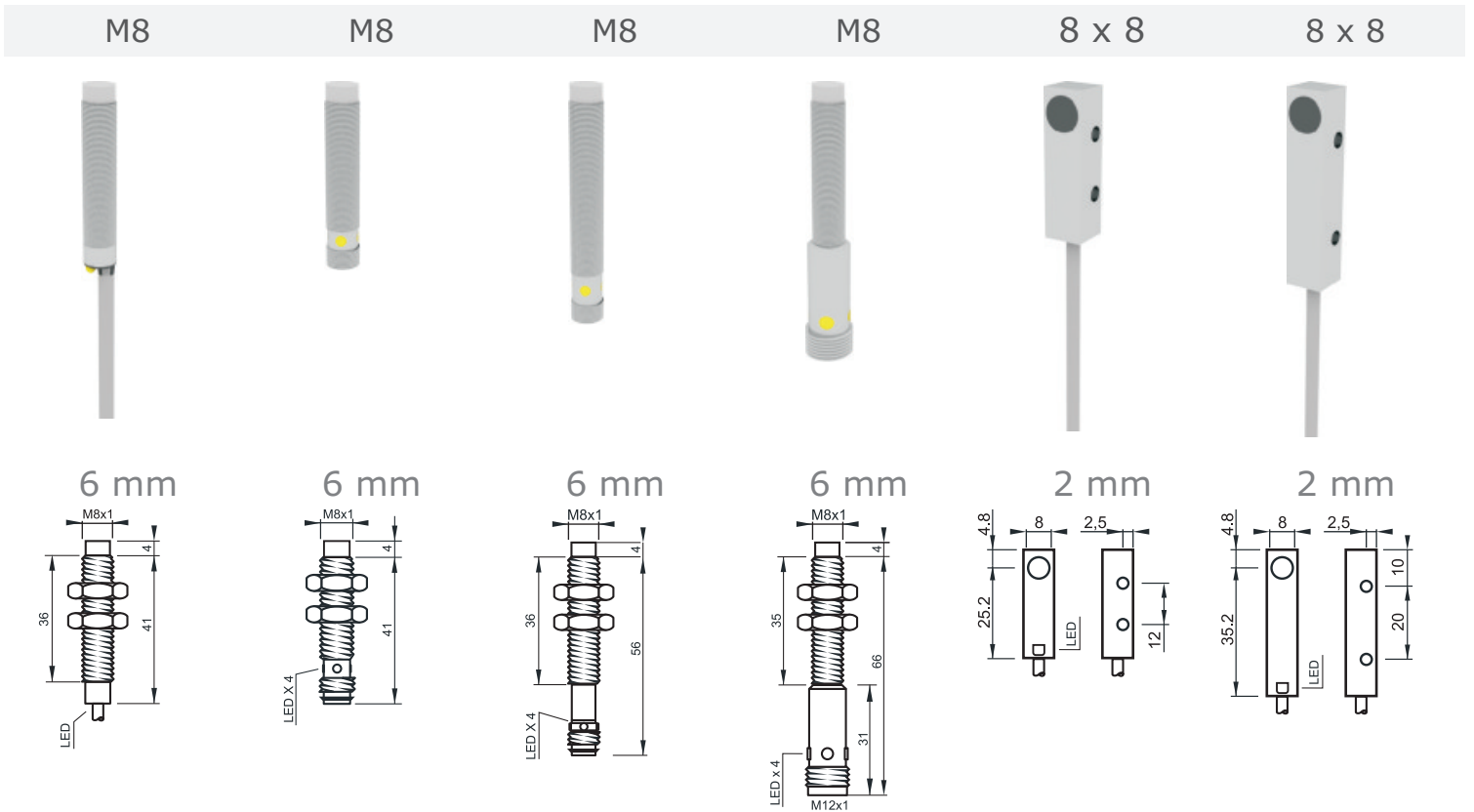
M8 M8 M8 M8



SPECIFICATIONS

	M8x1	M8x1	M8x1	M8x1
Sensing Distance	4 mm - Unshielded	4 mm - Unshielded	4 mm - Unshielded	6 mm - Unshielded
Operating Voltage	10...30 VDC, 3-wire	10...30 VDC, 3-wire	10...30 VDC, 3-wire	10...30 VDC, 3-wire
Reverse Polarity Protection	built-in	built-in	built-in	built-in
Current Consumption	< 8 mA	< 8 mA	< 8 mA	< 8 mA
Current Load Capability	200 mA	200 mA	200 mA	200 mA
Short Circuit Protection	built-in - self resetting	built-in - self resetting	built-in - self resetting	built-in - self resetting
Voltage Drop	< 1.5 V @ 200 mA	< 1.5 V @ 200 mA	< 1.5 V @ 200 mA	< 1.5 V @ 200 mA
Switching Frequency	1000 Hz	1000 Hz	1000 Hz	500 Hz
Repeatability	< 1 % (Sn)	< 1 % (Sn)	< 1 % (Sn)	< 1 % (Sn)
Hysteresis	3...15 %	3...15 %	3...15 %	3...15 %
Operating Temperature	-25...75 °C	-25...75 °C	-25...75 °C	-25...75 °C
Protection Class	IP67	IP67	IP67	IP67
Sensing Face Material	POM	POM	POM	POM
Housing Material	1.4305 / SS303	1.4305 / SS303	1.4305 / SS303	1.4305 / SS303
Connection	Connector M8, 3-pole	Connector M8, 3-pole	Connector M12, 4-pole	High-Flex PVC, 2m
Output Indicator	Integrated	Integrated	Integrated	Integrated
Article Code				
PNP - NO, 3-wire	IPS8-N4PO45/M8	IPS8-N4PO60/M8	IPS8-N4PO70/M12	IPS8-N6PO30/A2P
PNP - NC, 3-wire	IPS8-N4PC45/M8	IPS8-N4PC60/M8	IPS8-N4PC70/M12	IPS8-N6PC30/A2P
PNP - NO+NC, 4-wire				
NPN - NO, 3-wire	IPS8-N4NO45/M8	IPS8-N4NO60/M8	IPS8-N4NO70/M12	IPS8-N6NO30/A2P
NPN - NC, 3-wire	IPS8-N4NC45/M8	IPS8-N4NC60/M8	IPS8-N4NC70/M12	IPS8-N6NC30/A2P
NPN - NO+NC, 4-wire				
Recommended Connecting Cable	M8/3...	M8/3...	M12/3...	-

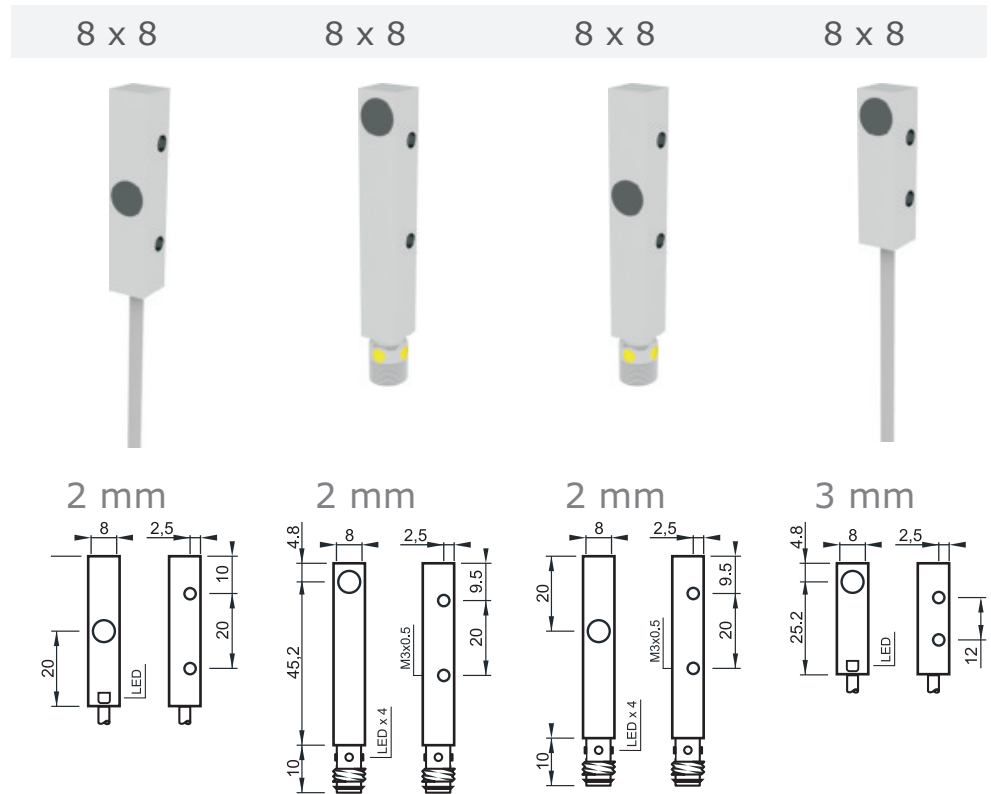
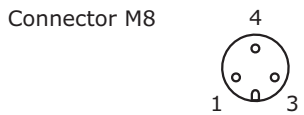
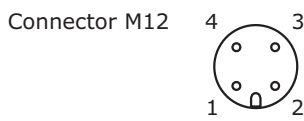
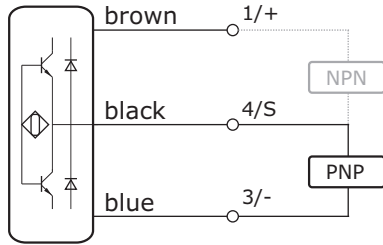
Inductive Proximity Switches



M8x1	M8x1	M8x1	M8x1	8 x 8	8 x 8
6 mm - Unshielded	6 mm - Unshielded	6 mm - Unshielded	6 mm - Unshielded	2 mm - Shielded	2 mm - Shielded
10...30 VDC, 3-wire built-in	10...30 VDC, 3-wire built-in	10...30 VDC, 3-wire built-in	10...30 VDC, 3-wire built-in	10...30 VDC, 3-wire built-in	10...30 VDC, 3-wire built-in
< 8 mA	< 8 mA	< 8 mA	< 8 mA	< 8 mA	< 8 mA
200 mA	200 mA	200 mA	200 mA	200 mA	200 mA
built-in - self resetting	built-in - self resetting	built-in - self resetting	built-in - self resetting	built-in - self resetting	built-in - self resetting
< 1.5 V @ 200 mA	< 1.5 V @ 200 mA	< 1.5 V @ 200 mA	< 1.5 V @ 200 mA	< 1.5 V @ 200 mA	< 1.5 V @ 200 mA
500 Hz	500 Hz	500 Hz	500 Hz	2000 Hz	2000 Hz
< 1 % (Sn)	< 1 % (Sn)	< 1 % (Sn)	< 1 % (Sn)	< 1 % (Sn)	< 1 % (Sn)
3...15 %	3...15 %	3...15 %	3...15 %	3...15 %	3...15 %
-25...75 °C	-25...75 °C	-25...75 °C	-25...75 °C	-25...75 °C	-25...75 °C
IP67	IP67	IP67	IP67	IP67	IP67
POM	POM	POM	POM	POM	POM
1.4305 / SS303	1.4305 / SS303	1.4305 / SS303	1.4305 / SS303	Plated Brass	Plated Brass
High-Flex PVC, 2m Integrated	Connector M8, 3-pole Integrated	Connector M8, 3-pole Integrated	Connector M12, 4-pole Integrated	High-Flex PVC, 2m Integrated	High-Flex PVC, 2m Integrated
IPS8-N6PO45/A2P IPS8-N6PC45/A2P	IPS8-N6PO45/M8 IPS8-N6PC45/M8	IPS8-N6PO60/M8 IPS8-N6PC60/M8	IPS8-N6PO70/M12 IPS8-N6PC70/M12	IPS88-S2PO30/A2P IPS88-S2PC30/A2P	IPS88-S2PO40/A2P IPS88-S2PC40/A2P
IPS8-N6NO45/A2P IPS8-N6NC45/A2P	IPS8-N6NO45/M8 IPS8-N6NC45/M8	IPS8-N6NO60/M8 IPS8-N6NC60/M8	IPS8-N6NO70/M12 IPS8-N6NC70/M12	IPS88-S2NO30/A2P IPS88-S2NC30/A2P	IPS88-S2NO40/A2P IPS88-S2NC40/A2P
-	M8/3...	M8/3...	M12/3...	-	-

Inductive Proximity Switches

Output Schematics



SPECIFICATIONS

	8 x 8	8 x 8	8 x 8	8 x 8
Sensing Distance	2 mm - Shielded	2 mm - Shielded	2 mm - Shielded	3 mm - Shielded
Operating Voltage	10...30 VDC, 3-wire	10...30 VDC, 3-wire	10...30 VDC, 3-wire	10...30 VDC, 3-wire
Reverse Polarity Protection	built-in	built-in	built-in	built-in
Current Consumption	< 8 mA	< 8 mA	< 8 mA	< 8 mA
Current Load Capability	200 mA	200 mA	200 mA	200 mA
Short Circuit Protection	built-in - self resetting	built-in - self resetting	built-in - self resetting	built-in - self resetting
Voltage Drop	< 1.5 V @ 200 mA	< 1.5 V @ 200 mA	< 1.5 V @ 200 mA	< 1.5 V @ 200 mA
Switching Frequency	2000 Hz	2000 Hz	2000 Hz	1000 Hz
Repeatability	< 1 % (Sn)	< 1 % (Sn)	< 1 % (Sn)	< 1 % (Sn)
Hysteresis	3...15 %	3...15 %	3...15 %	3...15 %
Operating Temperature	-25...75 °C	-25...75 °C	-25...75 °C	-25...75 °C
Protection Class	IP67	IP67	IP67	IP67
Sensing Face Material	POM	POM	POM	POM
Housing Material	Plated Brass	Plated Brass	Plated Brass	Plated Brass
Connection	High-Flex PVC, 2m	Connector M8, 3-pole	Connector M8, 3-pole	High-Flex PVC, 2m
Output Indicator	Integrated	Integrated	Integrated	Integrated
Article Code				
PNP - NO, 3-wire	IPS88-S2PO40C/A2P	IPS88-S2PO60/M8	IPS88-S2PO60C/M8	IPS88-S3PO30/A2P
PNP - NC, 3-wire	IPS88-S2PC40C/A2P	IPS88-S2PC60/M8	IPS88-S2PC60C/M8	IPS88-S3PC30/A2P
PNP - NO+NC, 4-wire				
NPN - NO, 3-wire	IPS88-S2NO40C/A2P	IPS88-S2NO60/M8	IPS88-S2NO60C/M8	IPS88-S3NO30/A2P
NPN - NC, 3-wire	IPS88-S2NC40C/A2P	IPS88-S2NC60/M8	IPS88-S2NC60C/M8	IPS88-S3NC30/A2P
NPN - NO+NC, 4-wire				

Recommended Connecting Cable

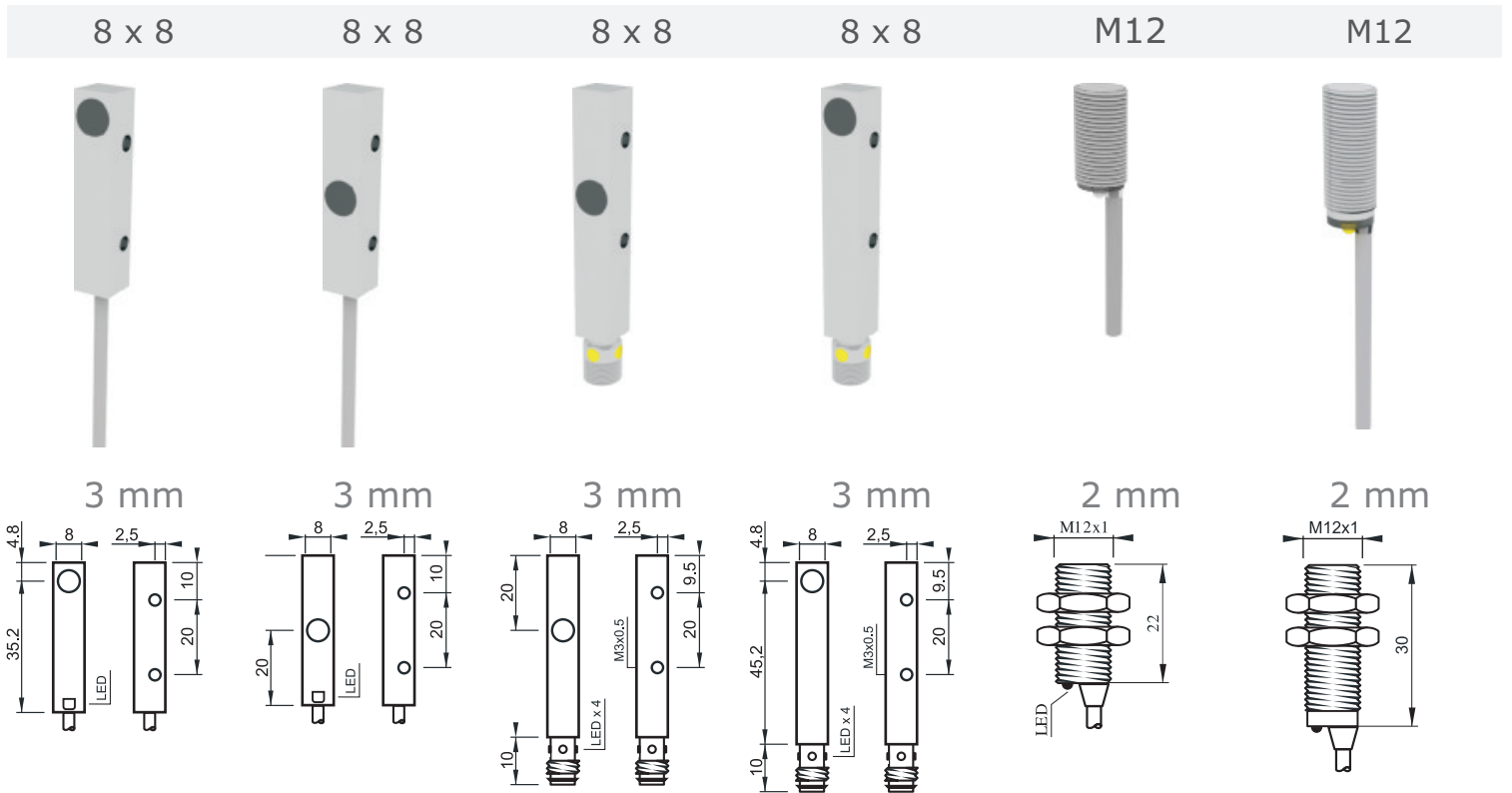
-

M8/3...

M8/3...

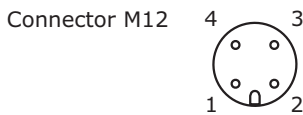
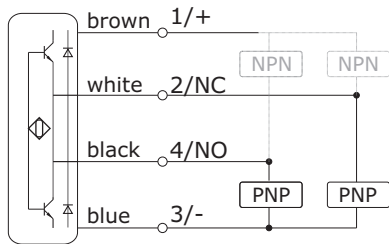
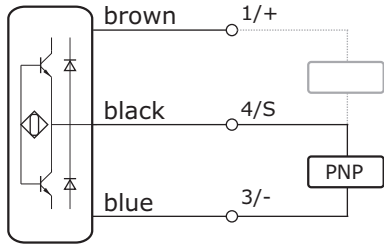
-

Inductive Proximity Switches

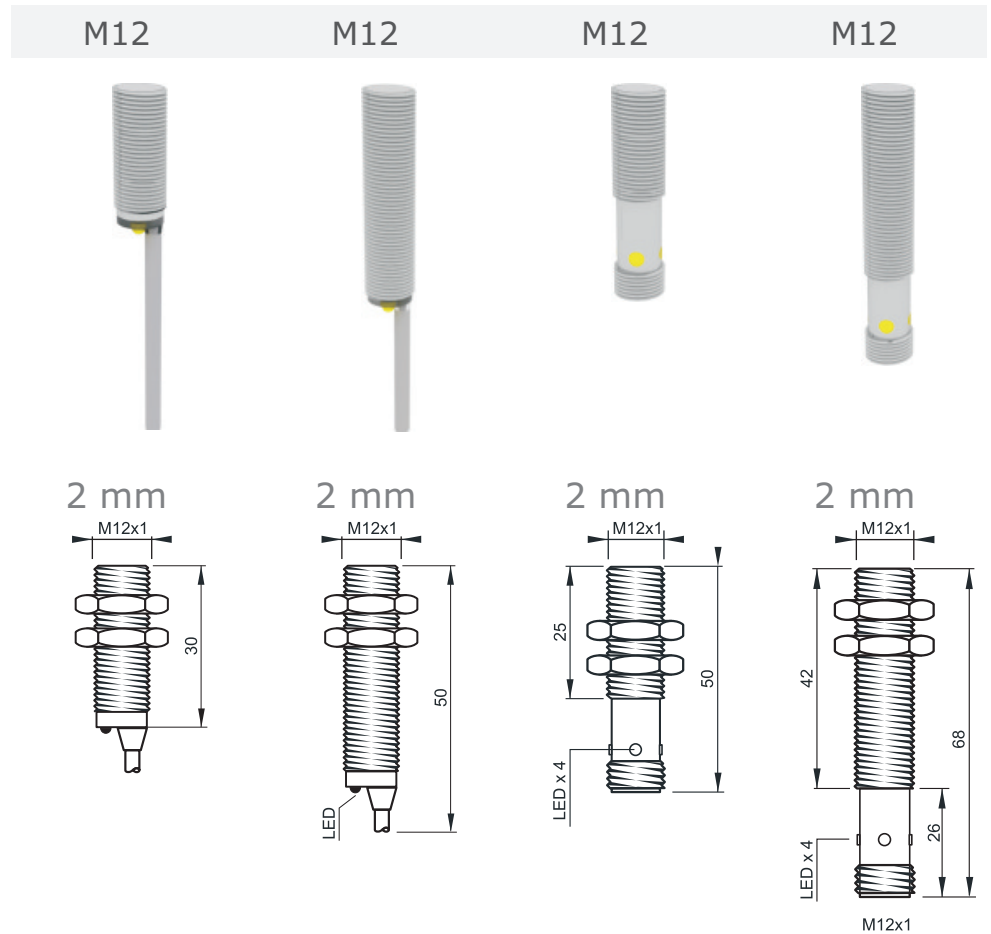


8 x 8	8 x 8	8 x 8	8 x 8	M12x1	M12x1
3 mm - Shielded	3 mm - Shielded	3 mm - Shielded	3mm - Shielded	2 mm - Shielded	2 mm - Shielded
10...30 VDC, 3-wire built-in	10...30 VDC, 3-wire built-in	10...30 VDC, 3-wire built-in	10...30 VDC,3-wire built-in	10...30 VDC, 3-wire built-in	10...30 VDC, 3-wire built-in
< 8 mA	< 8 mA	< 8 mA	< 8 mA	< 8 mA	< 8 mA
200 mA	200 mA	200 mA	200 mA	200 mA	200 mA
built-in - self resetting	built-in - self resetting	built-in - self resetting	built-in - self resetting	built-in - self resetting	built-in - self resetting
< 1.5 V @ 200 mA	< 1.5 V @ 200 mA	< 1.5 V @ 200 mA	< 1.5 V @ 200 mA	< 1.5 V @ 200 mA	< 1.5 V @ 200 mA
1000 Hz	1000 Hz	1000 Hz	1000 Hz	2000 Hz	2000 Hz
< 1 % (Sn)	< 1 % (Sn)	< 1 % (Sn)	< 1 % (Sn)	< 1 % (Sn)	< 1 % (Sn)
3...15 %	3...15 %	3...15 %	3...15 %	3...15 %	3...15 %
-25...75 °C	-25...75 °C	-25...75 °C	-25...75 °C	-25...75 °C	-25...75 °C
IP67	IP67	IP67	IP67	IP67	IP67
POM	POM	POM	POM	POM	POM
Plated Brass	Plated Brass	Plated Brass	Plated Brass	Plated Brass	Plated Brass
High-Flex PVC, 2m Integrated	High-Flex PVC, 2m Integrated	Connector M8, 3-pole Integrated	Connector M8, 3-pole Integrated	High-Flex PVC, 2m Integrated	High-Flex PVC, 2m Integrated
IPS88-S3PO40/A2P IPS88-S3PC40/A2P	IPS88-S3PO40C/A2P IPS88-S3PC40C/A2P	IPS88-S3PO60C/M8 IPS88-S3PC60C/M8	IPS88-S3PO60/M8 IPS88-S3PC60/M8	IPS12-S2PO22/A2P IPS12-S2PC22/A2P	IPS12-S2PO30/A2P IPS12-S2PC30/A2P
IPS88-S3NO40/A2P IPS88-S3NC40/A2P	IPS88-S3NO40C/A2P IPS88-S3NC40C/A2P	IPS88-S3NO60C/M8 IPS88-S3NC60C/M8	IPS88-S3NO60/M8 IPS88-S3NC60/M8	IPS12-S2NO22/A2P IPS12-S2NC30/A2P	IPS12-S2NO30/A2P IPS12-S2NC30/A2P
-	-	M8/3...	M8/3...	-	-

Output Schematics



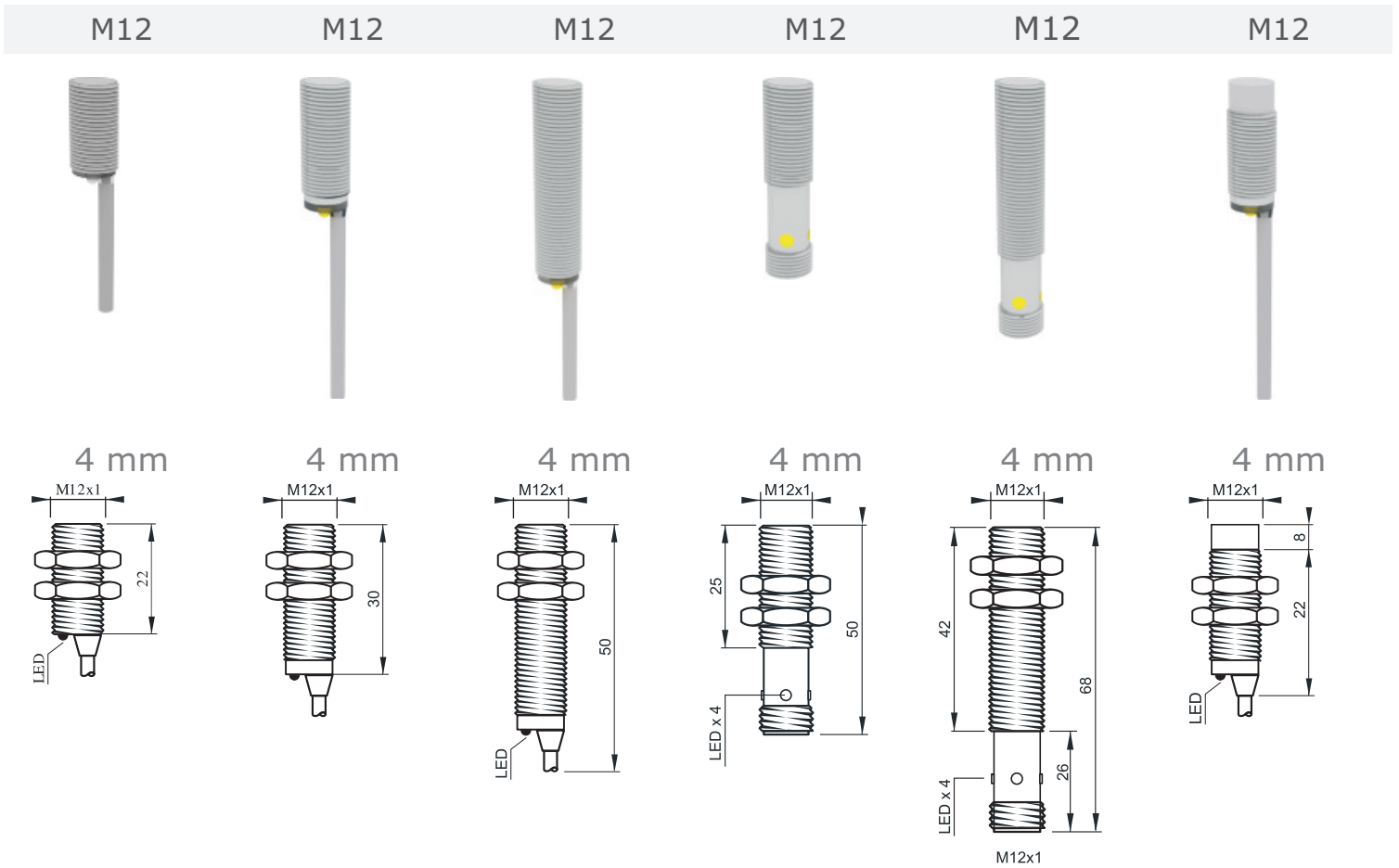
Not to be used for Safety Applications



SPECIFICATIONS

	M12x1	M12x1	M12x1	M12x1
Sensing Distance	2 mm - Shielded	2 mm - Shielded	2 mm - Shielded	2 mm - Shielded
Operating Voltage	10...30 VDC, 3-wire	10...30 VDC, 3-wire	10...30 VDC, 3-wire	10...30 VDC, 3-wire
Reverse Polarity Protection	built-in	built-in	built-in	built-in
Current Consumption	< 8 mA	< 8 mA	< 8 mA	< 8 mA
Current Load Capability	200 mA	200 mA	200 mA	200 mA
Short Circuit Protection	built-in - self resetting	built-in - self resetting	built-in - self resetting	built-in - self resetting
Voltage Drop	< 1.5 V @ 200 mA	< 1.5 V @ 200 mA	< 1.5 V @ 200 mA	< 1.5 V @ 200 mA
Switching Frequency	2000 Hz	2000 Hz	2000 Hz	2000 Hz
Repeatability	< 1 % (Sn)	< 1 % (Sn)	< 1 % (Sn)	< 1 % (Sn)
Hysteresis	3...15 %	3...15 %	3...15 %	3...15 %
Operating Temperature	-25...75 °C	-25...75 °C	-25...75 °C	-25...75 °C
Protection Class	IP67	IP67	IP67	IP67
Sensing Face Material	POM	POM	POM	POM
Housing Material	Plated Brass	Plated Brass	Plated Brass	Plated Brass
Connection	High-Flex PVC, 2m	High-Flex PVC, 2m	Connector M12, 4-pole	Connector M12, 4-pole
Output Indicator	Integrated	Integrated	Integrated	Integrated
Article Code				
PNP - NO, 3-wire	IPS12-S2PO30/A2P	IPS12-S2PO50/A2P	IPS12-S2PO50/M12	IPS12-S2PO68/M12
PNP - NC, 3-wire	IPS12-S2PC30/A2P	IPS12-S2PC50/A2P	IPS12-S2PC50/M12	IPS12-S2PC68/M12
PNP - NO+NC, 4-wire				
NPN - NO, 3-wire	IPS12-S2NO30/A2P	IPS12-S2NO50/A2P	IPS12-S2NO50/M12	IPS12-S2NO68/M12
NPN - NC, 3-wire	IPS12-S2NC30/A2P	IPS12-S2NC50/A2P	IPS12-S2NC50/M12	IPS12-S2NC68/M12
NPN - NO+NC, 4-wire				
10...55 VDC - NO, 2-wire		IPS12-S2DO50/A2P		IPS12-S2DO68/M12
10...55 VDC - NC, 2-wire		IPS12-S2DC50/A2P		IPS12-S2DC68/M12
Recommended Connecting Cable	-	-	M12/3...	M12/3...

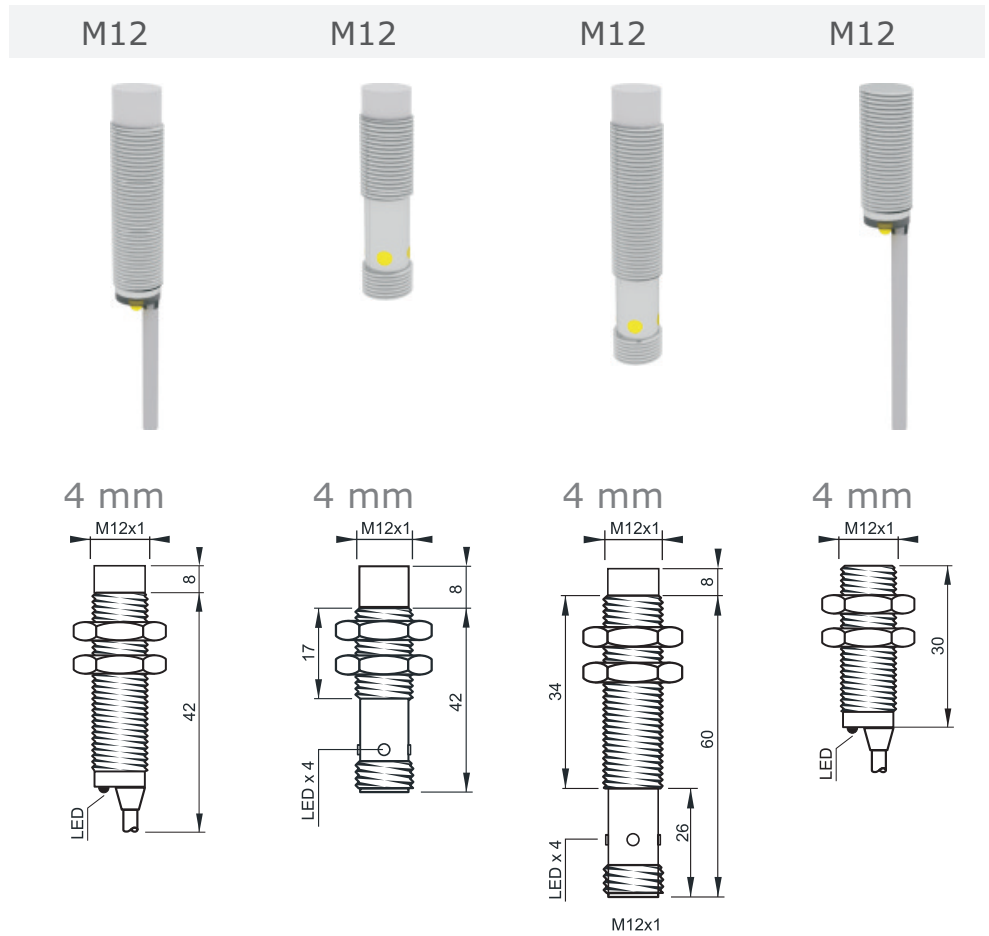
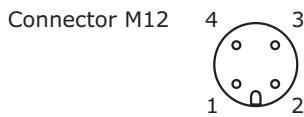
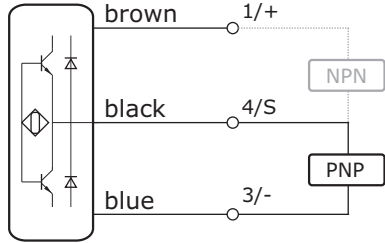
Inductive Proximity Switches



M12x1	M12x1	M12x1	M12x1	M12x1	M12x1
4 mm - Shielded	4 mm - Shielded	4 mm - Shielded	4 mm - Shielded	4 mm - Shielded	4 mm - Unshielded
10...30 VDC, 3-wire built-in	10...30 VDC, 3-wire built-in	10...30 VDC, 3-wire built-in	10...30 VDC, 3-wire built-in	10...30 VDC, 3-wire built-in	10...30 VDC, 3-wire built-in
< 8 mA	< 8 mA	< 8 mA	< 8 mA	< 8 mA	< 8 mA
200 mA	200 mA	200 mA	200 mA	200 mA	200 mA
built-in - self resetting	built-in - self resetting	built-in - self resetting	built-in - self resetting	built-in - self resetting	built-in - self resetting
< 1.5 V @ 200 mA	< 1.5 V @ 200 mA	< 1.5 V @ 200 mA	< 1.5 V @ 200 mA	< 1.5 V @ 200 mA	< 1.5 V @ 200 mA
1000 Hz	1000 Hz	1000 Hz	1000 Hz	1000 Hz	1000 Hz
< 1 % (Sn)	< 1 % (Sn)	< 1 % (Sn)	< 1 % (Sn)	< 1 % (Sn)	< 1 % (Sn)
3...15 %	3...15 %	3...15 %	3...15 %	3...15 %	3...15 %
-25...75 °C	-25...75 °C	-25...75 °C	-25...75 °C	-25...75 °C	-25...75 °C
IP67	IP67	IP67	IP67	IP67	IP67
POM	POM	POM	POM	POM	POM
Plated Brass	Plated Brass	Plated Brass	Plated Brass	Plated Brass	Plated Brass
High-Flex PVC, 2m Integrated	High-Flex PVC, 2m Integrated	High-Flex PVC, 2m Integrated	Connector M12, 4-pole Integrated	Connector M12, 4-pole Integrated	High-Flex PVC, 2m Integrated
IPS12-S4PO22/A2P IPS12-S4PC22/A2P	IPS12-S4PO30/A2P IPS12-S4PC30/A2P IPS12-S4PCO30/A2P	IPS12-S4PO50/A2P IPS12-S4PC50/A2P IPS12-S4PCO50/A2P	IPS12-S4PO50/M12 IPS12-S4PC50/M12 IPS12-S4PCO50/M12	IPS12-S4PO68/M12 IPS12-S4PC68/M12 IPS12-S4PCO68/M12	IPS12-N4PO30/A2P IPS12-N4PC30/A2P
IPS12-S4NO22/A2P IPS12-S4NC22/A2P	IPS12-S4NO30/A2P IPS12-S4NC30/A2P IPS12-S4NCO30/A2P	IPS12-S4NO50/A2P IPS12-S4NC50/A2P IPS12-S4NCO50/A2P IPS12-S4DO50/A2P IPS12-S4DC50/A2P	IPS12-S4NO50/M12 IPS12-S4NC50/M12 IPS12-S4NCO50/M12	IPS12-S4NO68/M12 IPS12-S4NC68/M12 IPS12-S4NCO68/M12 IPS12-S4DO68/M12 IPS12-S4DC68/M12	IPS12-N4NO30/A2P IPS12-N4NCO30/A2P
-	-	-	M12/3... / M12/4...	M12/3... / M12/4...	-

Inductive Proximity Switches

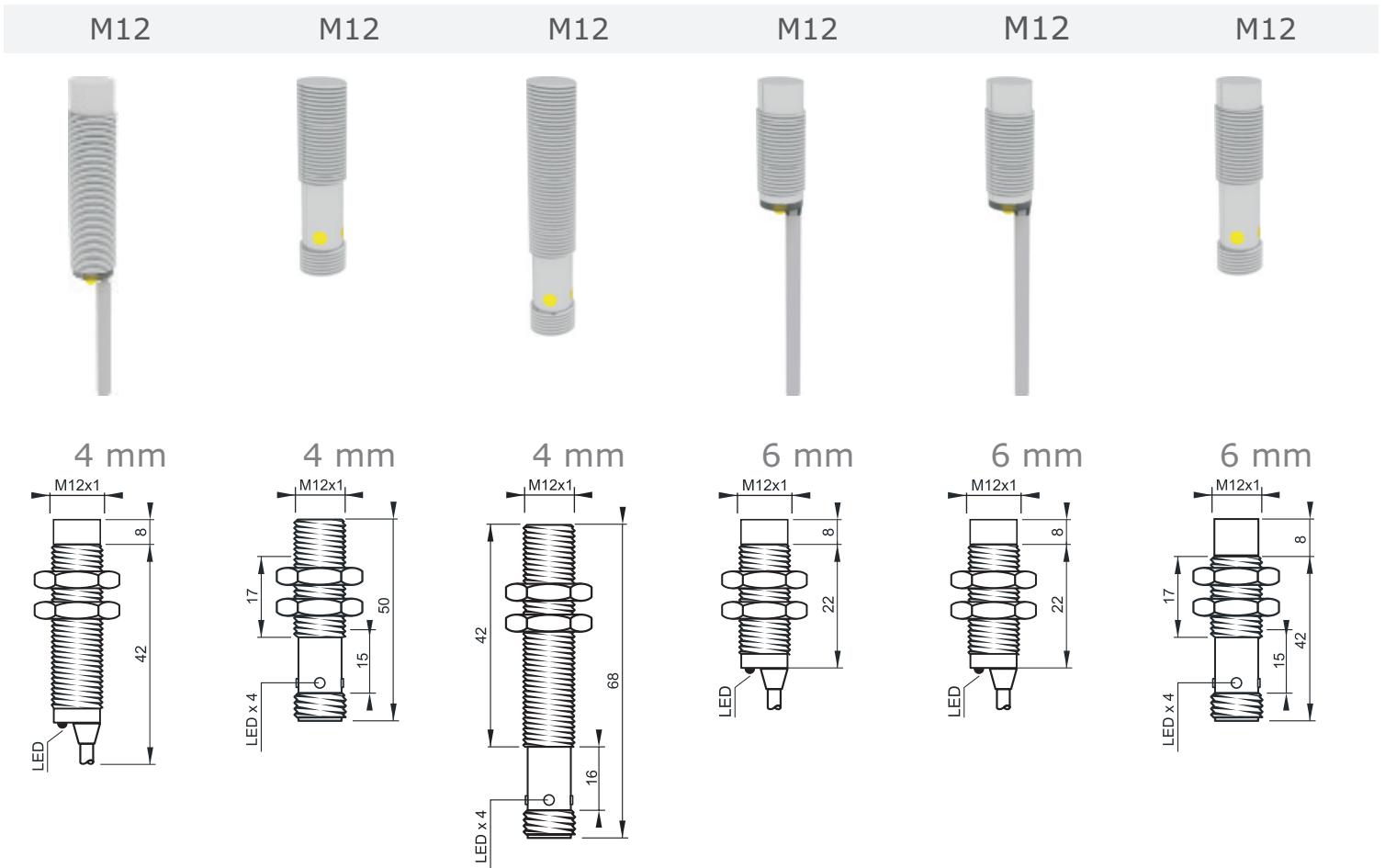
Output Schematics



SPECIFICATIONS

	M12x1	M12x1	M12x1	M12 Metal Face
Sensing Distance	4 mm - Unshielded	4 mm - Unshielded	4 mm - Unshielded	4 mm - Shielded
Operating Voltage	10...30 VDC, 3-wire	10...30 VDC, 3-wire	10...30 VDC, 3-wire	10...30 VDC, 3-wire
Reverse Polarity Protection	built-in	built-in	built-in	built-in
Current Consumption	< 8 mA	< 8 mA	< 8 mA	< 8 mA
Current Load Capability	200 mA	200 mA	200 mA	200 mA
Short Circuit Protection	built-in - self resetting	built-in - self resetting	built-in - self resetting	built-in - self resetting
Voltage Drop	< 1.5 V @ 200 mA	< 1.5 V @ 200 mA	< 1.5 V @ 200 mA	< 1.5 V @ 200 mA
Switching Frequency	1000 Hz	1000 Hz	1000 Hz	1000 Hz
Repeatability	< 1 % (Sn)	< 1 % (Sn)	< 1 % (Sn)	< 1 % (Sn)
Hysteresis	3...15 %	3...15 %	3...15 %	3...15 %
Operating Temperature	-25...75 °C	-25...75 °C	-25...75 °C	-25...75 °C
Protection Class	IP67	IP67	IP67	IP69k, Conn. IP67
Sensing Face Material	POM	POM	POM	1.4305 / SS303
Housing Material	Plated Brass	Plated Brass	Plated Brass	1.4305 / SS303
Connection	High-Flex PVC, 2m	Connector M12, 4-pole	Connector M12, 4-pole	High-Flex PVC, 2m
Output Indicator	Integrated	Integrated	Integrated	Integrated
Article Code				
PNP - NO, 3-wire	IPS12-N4PO50/A2P	IPS12-N4PO50/M12	IPS12-N4PO68/M12	IMF12-S4PO30/A2P
PNP - NC, 3-wire	IPS12-N4PC50/A2P	IPS12-N4PC50/M12	IPS12-N4PC68/M12	IMF12-S4PC30/A2P
PNP - NO+NC, 4-wire				
NPN - NO, 3-wire	IPS12-N4NO50/A2P	IPS12-N4NO50/M12	IPS12-N4NO68/M12	IMF12-S4NO30/A2P
NPN - NC, 3-wire	IPS12-N4NC50/A2P	IPS12-N4NC50/M12	IPS12-N4NC68/M12	IMF12-S4NC30/A2P
NPN - NO+NC, 4-wire				
10...55 VDC - NO, 2-wire	IPS12-N4DO50/A2P		IPS12-N4DO68/M12	
10...55 VDC - NC, 2-wire	IPS12-N4DC50/A2P		IPS12-N4DC68/M12	
Recommended Connecting Cable	-	M12/3...	M12/3...	-

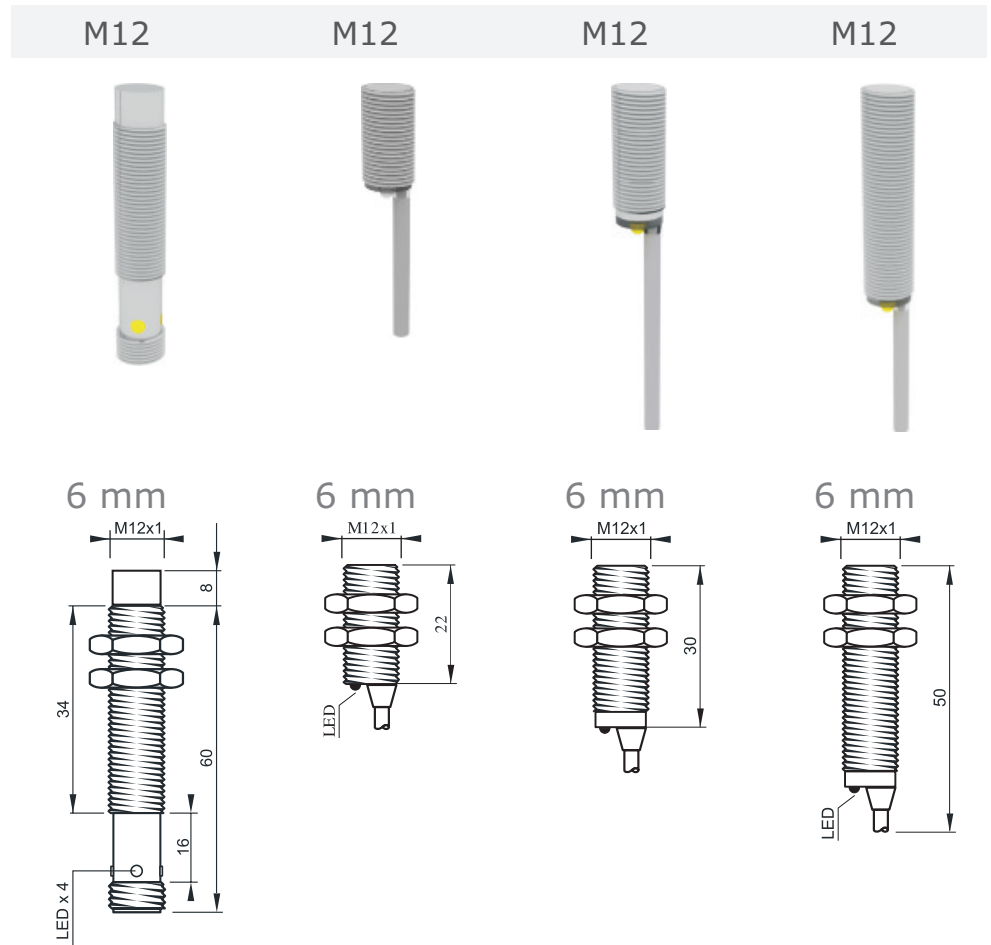
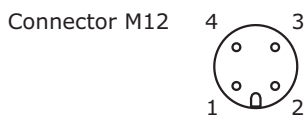
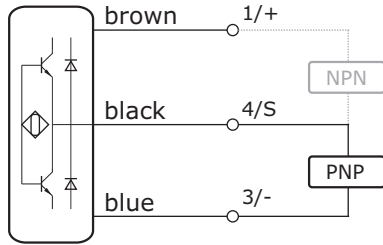
Inductive Proximity Switches



M12 Metal Face	M12 Metal Face	M12 Metal Face	M12 Metal Face	M12 Metal Face	M12 Metal Face
4 mm - Shielded	4 mm - Shielded	4 mm - Shielded	6 mm - Unshielded	6 mm - Unshielded	6 mm - Unshielded
10...30 VDC, 3-wire built-in < 8 mA 200 mA built-in - self resetting < 1.5 V @ 200 mA 1000 Hz < 1 % (Sn) 3...15 % -25...75 °C IP69k, Conn. IP67 1.4305 / SS303 1.4305 / SS303 High-Flex PVC, 2m Integrated	10...30 VDC, 3-wire built-in < 8 mA 200 mA built-in - self resetting < 1.5 V @ 200 mA 1000 Hz < 1 % (Sn) 3...15 % -25...75 °C IP69k, Conn. IP67 1.4305 / SS303 1.4305 / SS303 Connector M12, 4-pole Integrated	10...30 VDC, 3-wire built-in < 8 mA 200 mA built-in - self resetting < 1.5 V @ 200 mA 1000 Hz < 1 % (Sn) 3...15 % -25...75 °C IP69k, Conn. IP67 1.4305 / SS303 1.4305 / SS303 Connector M12, 4-pole Integrated	10...30 VDC, 3-wire built-in < 8 mA 200 mA built-in - self resetting < 1.5 V @ 200 mA 1000 Hz < 1 % (Sn) 3...15 % -25...75 °C IP69k, Conn. IP67 1.4305 / SS303 1.4305 / SS303 High-Flex PVC, 2m Integrated	10...30 VDC, 3-wire built-in < 8 mA 200 mA built-in - self resetting < 1.5 V @ 200 mA 1000 Hz < 1 % (Sn) 3...15 % -25...75 °C IP69k, Conn. IP67 1.4305 / SS303 1.4305 / SS303 High-Flex PVC, 2m Integrated	10...30 VDC, 3-wire built-in < 8 mA 200 mA built-in - self resetting < 1.5 V @ 200 mA 1000 Hz < 1 % (Sn) 3...15 % -25...75 °C IP69k, Conn. IP67 1.4305 / SS303 1.4305 / SS303 Connector M12, 4-pole Integrated
IMF12-S4PO50/A2P IMF12-S4PC50/A2P	IMF12-S4PO50/M12 IMF12-S4PC50/M12	IMF12-S4PO68/M12 IMF12-S4PC68/M12	IMF12-N6PO30/A2P IMF12-N6PC30/A2P	IMF12-N6PO50/A2P IMF12-N6PC50/A2P	IMF12-N6PO50/M12 IMF12-N6PC50/M12
IMF12-S4NO50/A2P IMF12-S4NC50/A2P	IMF12-S4NO50/M12 IMF12-S4NC50/M12	IMF12-S4NO68/M12 IMF12-S4NC68/M12	IMF12-N6NO30/A2P IMF12-N6NC30/A2P	IMF12-N6NO50/A2P IMF12-N6NC50/A2P	IMF12-N6NO50/M12 IMF12-N6NC50/M12
-	M12/3...	M12/3...	-	-	M12/3...

Inductive Proximity Switches

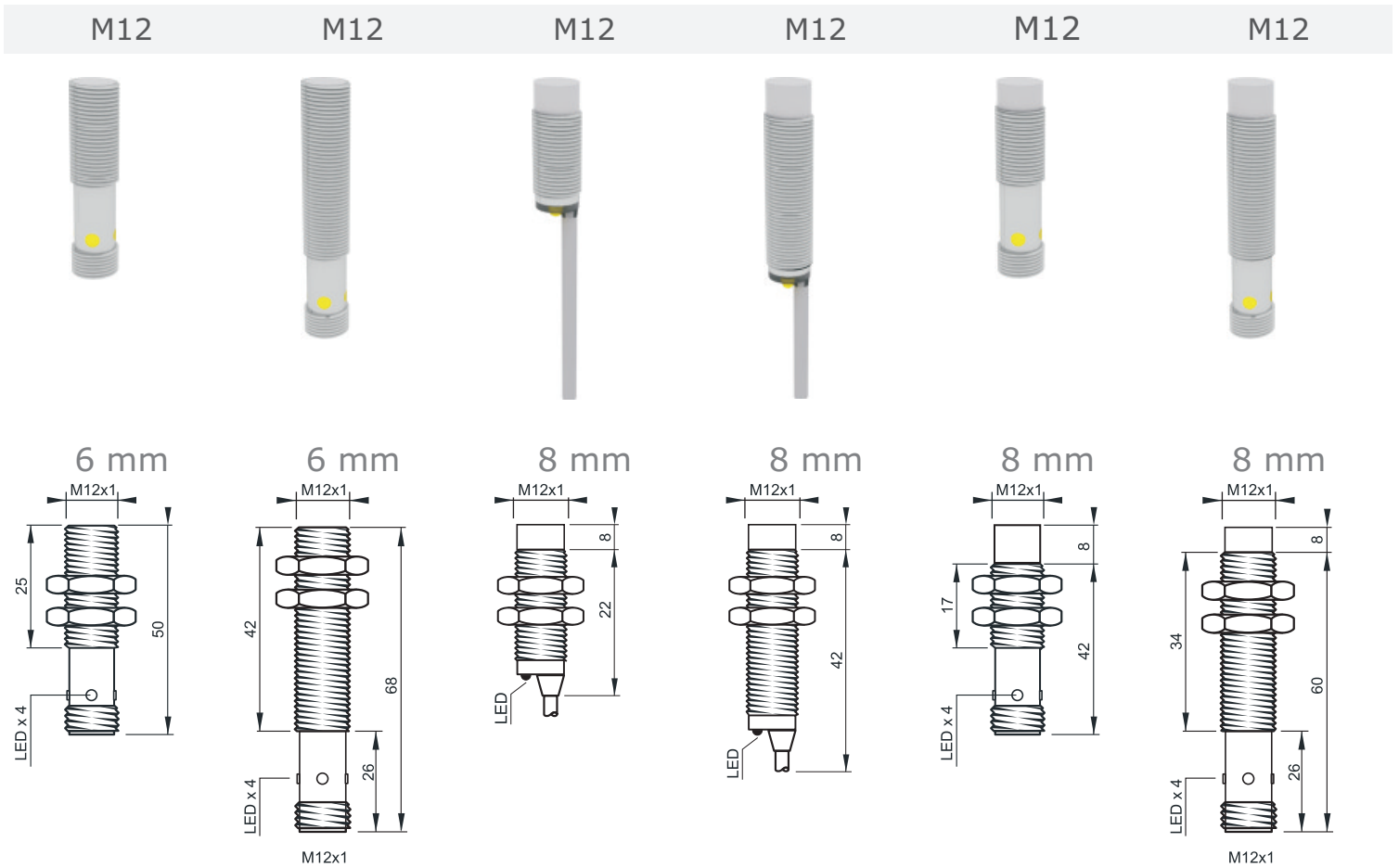
Output Schematics



SPECIFICATIONS

	M12 Metal Face	M12x1	M12x1	M12x1
Sensing Distance	6 mm - Unshielded	6 mm - Shielded	6 mm - Shielded	6 mm - Shielded
Operating Voltage	10...30 VDC, 3-wire	10...30 VDC, 3-wire	10...30 VDC, 3-wire	10...30 VDC, 3-wire
Reverse Polarity Protection	built-in	built-in	built-in	built-in
Current Consumption	< 8 mA	< 8 mA	< 8 mA	< 8 mA
Current Load Capability	200 mA	200 mA	200 mA	200 mA
Short Circuit Protection	built-in - self resetting	built-in - self resetting	built-in - self resetting	built-in - self resetting
Voltage Drop	< 1.5 V @ 200 mA	< 1.5 V @ 200 mA	< 1.5 V @ 200 mA	< 1.5 V @ 200 mA
Switching Frequency	800 Hz	800 Hz	800 Hz	800 Hz
Repeatability	< 1 % (Sn)	< 1 % (Sn)	< 1 % (Sn)	< 1 % (Sn)
Hysteresis	3...15 %	3...15 %	3...15 %	3...15 %
Operating Temperature	-25...75 °C	-25...75 °C	-25...75 °C	-25...75 °C
Protection Class	IP69k, Conn. IP67	IP67	IP67	IP67
Sensing Face Material	1.4305 / SS303	POM	POM	POM
Housing Material	1.4305 / SS303	Plated Brass	Plated Brass	Plated Brass
Connection	Connector M12, 4-pole	High-Flex PVC, 2m	High-Flex PVC, 2m	High-Flex PVC, 2m
Output Indicator	Integrated	Integrated	Integrated	Integrated
Article Code				
PNP - NO, 3-wire	IMF12-N6PO68/M12	IPS12-S6PO22/A2P	IPS12-S6PO30/A2P	IPS12-S6PO50/A2P
PNP - NC, 3-wire	IMF12-N6PC68/M12	IPS12-S6PC22/A2P	IPS12-S6PC30/A2P	IPS12-S6PC50/A2P
PNP - NO+NC, 4-wire				
NPN - NO, 3-wire	IMF12-N6NO68/M12	IPS12-S6NO22/A2P	IPS12-S6NO30/A2P	IPS12-S6NO50/A2P
NPN - NC, 3-wire	IMF12-N6NC68/M12	IPS12-S6NC30/A2P	IPS12-S6NC30/A2P	IPS12-S6NC50/A2P
NPN - NO+NC, 4-wire				
10...55 VDC - NO, 2-wire				
10...55 VDC - NC, 2-wire				
Recommended Connecting Cable	M12/3...	-	-	-

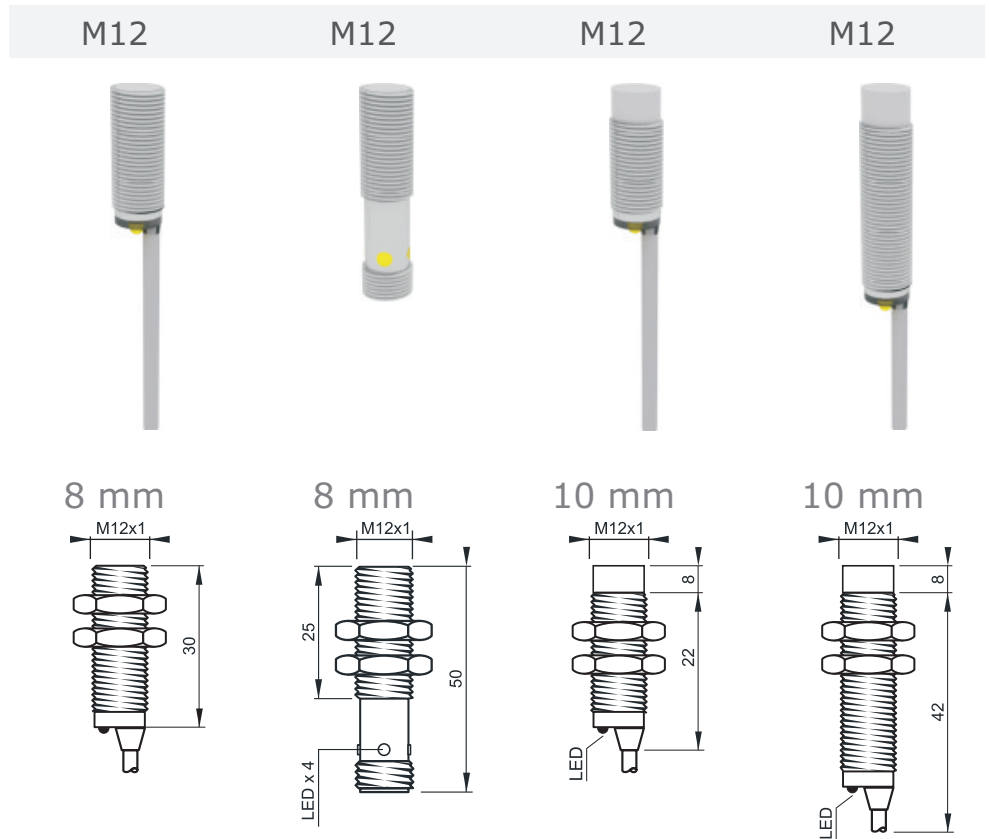
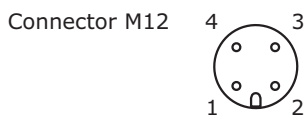
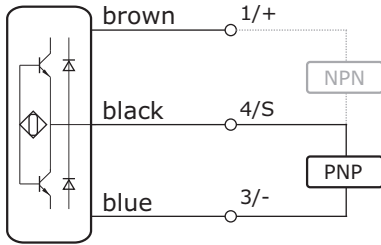
Inductive Proximity Switches



M12x1	M12x1	M12x1	M12x1	M12x1	M12x1
6 mm - Shielded	6 mm - Shielded	8 mm - Unshielded	8 mm - Unshielded	8 mm - Unshielded	8 mm - Unshielded
10...30 VDC, 3-wire built-in	10...30 VDC, 3-wire built-in	10...30 VDC, 3-wire built-in	10...30 VDC, 3-wire built-in	10...30 VDC, 3-wire built-in	10...30 VDC, 3-wire built-in
< 8 mA	< 8 mA	< 8 mA	< 8 mA	< 8 mA	< 8 mA
200 mA	200 mA	200 mA	200 mA	200 mA	200 mA
built-in - self resetting	built-in - self resetting	built-in - self resetting	built-in - self resetting	built-in - self resetting	built-in - self resetting
< 1.5 V @ 200 mA	< 1.5 V @ 200 mA	< 1.5 V @ 200 mA	< 1.5 V @ 200 mA	< 1.5 V @ 200 mA	< 1.5 V @ 200 mA
800 Hz	800 Hz	500 Hz	500 Hz	500 Hz	500 Hz
< 1 % (Sn)	< 1 % (Sn)	< 1 % (Sn)	< 1 % (Sn)	< 1 % (Sn)	< 1 % (Sn)
3...15 %	3...15 %	3...15 %	3...15 %	3...15 %	3...15 %
-25...75 °C	-25...75 °C	-25...75 °C	-25...75 °C	-25...75 °C	-25...75 °C
IP67	IP67	IP67	IP67	IP67	IP67
POM	POM	POM	POM	POM	POM
Plated Brass	Plated Brass	Plated Brass	Plated Brass	Plated Brass	Plated Brass
Connector M12, 4-pole Integrated	Connector M12, 4-pole Integrated	High-Flex PVC, 2m Integrated	High-Flex PVC, 2m Integrated	Connector M12, 4-pole Integrated	Connector M12, 4-pole Integrated
IPS12-S6PO50/M12	IPS12-S6PO68/M12	IPS12-N8PO30/A2P	IPS12-N8PO50/A2P	IPS12-N8PO50/M12	IPS12-N8PO68/M12
IPS12-S6PC50/M12	IPS12-S6PC68/M12	IPS12-N8PC30/A2P	IPS12-N8PC50/A2P	IPS12-N8PC50/M12	IPS12-N8PC68/M12
IPS12-S6NO50M12	IPS12-S6NO68/M12	IPS12-N8NO30/A2P	IPS12-N8NO50/A2P	IPS12-N8NO50/M12	IPS12-N8NO68/M12
IPS12-S6NC50M12	IPS12-S6NC68/M12	IPS12-N8NC30/A2P	IPS12-N8NC50/A2P	IPS12-N8NC50/M12	IPS12-N8NC68/M12
					IPS12-N8DO68/M12
					IPS12-N8DC68/M12
M12/3...	M12/3...	-	-	M12/3...	M12/3...

Inductive Proximity Switches

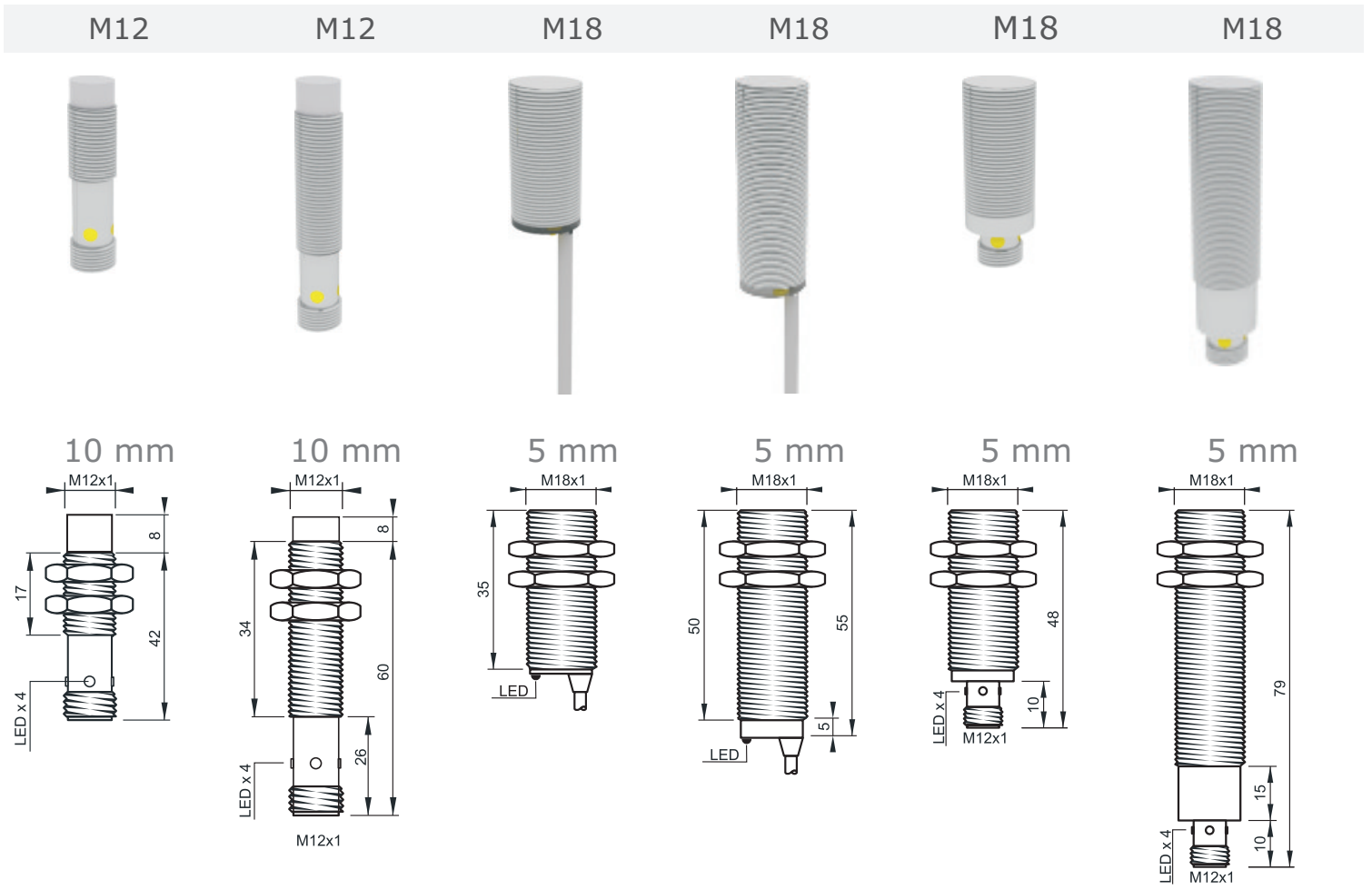
Output Schematics



SPECIFICATIONS

	M12x1	M12x1	M12x1	M12x1
Sensing Distance	8 mm - Shielded	8 mm - Shielded	10 mm - Unshielded	10 mm - Unshielded
Operating Voltage	10...30 VDC, 3-wire	10...30 VDC, 3-wire	10...30 VDC, 3-wire	10...30 VDC, 3-wire
Reverse Polarity Protection	built-in	built-in	built-in	built-in
Current Consumption	< 8 mA	< 8 mA	< 8 mA	< 8 mA
Current Load Capability	200 mA	200 mA	200 mA	200 mA
Short Circuit Protection	built-in - self resetting	built-in - self resetting	built-in - self resetting	built-in - self resetting
Voltage Drop	< 1.5 V @ 200 mA	< 1.5 V @ 200 mA	< 1.5 V @ 200 mA	< 1.5 V @ 200 mA
Switching Frequency	500 Hz	500 Hz	400 Hz	400 Hz
Repeatability	< 1 % (Sn)	< 1 % (Sn)	< 1 % (Sn)	< 1 % (Sn)
Hysteresis	3...15 %	3...15 %	3...15 %	3...15 %
Operating Temperature	-25...75 °C	-25...75 °C	-25...75 °C	-25...75 °C
Protection Class	IP67	IP67	IP67	IP67
Sensing Face Material	POM	POM	POM	POM
Housing Material	Plated Brass	Plated Brass	Plated Brass	Plated Brass
Connection	High-Flex PVC, 2m	Connector M12, 4-pole	High-Flex PVC, 2m	High-Flex PVC, 2m
Output Indicator	Integrated	Integrated	Integrated	Integrated
Article Code				
PNP - NO, 3-wire	IPS12-S8PO30/A2P	IPS12-S8PO50/M12	IPS12-N10PO30/A2P	IPS12-N10PO50/A2P
PNP - NC, 3-wire	IPS12-S8PC30/A2P	IPS12-S8PC50/M12	IPS12-N10PC30/A2P	IPS12-N10PC50/A2P
PNP - NO+NC, 4-wire				
NPN - NO, 3-wire	IPS12-S8NO30/A2P	IPS12-S8NO50/M12	IPS12-N10NO30/A2P	IPS12-N10NO50/A2P
NPN - NC, 3-wire	IPS12-S8NC30/A2P	IPS12-S8NC50/M12	IPS12-N10NC30/A2P	IPS12-N10NC50/A2P
NPN - NO+NC, 4-wire				
10...55 VDC - NO, 2-wire				
10...55 VDC - NC, 2-wire				
Recommended Connecting Cable	-	M12/3...	-	-

Inductive Proximity Switches

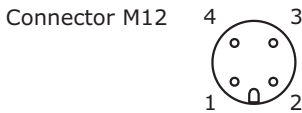
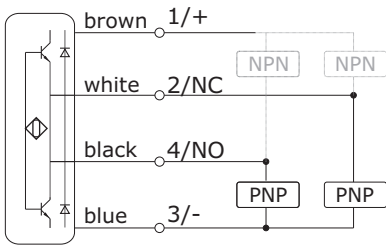
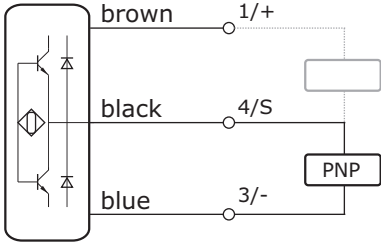


M12x1	M12x1	M18x1	M18x1	M18x1	M18x1
10 mm - Unshielded	10 mm - Unshielded	5 mm - Shielded	5 mm - Shielded	5 mm - Shielded	5 mm - Shielded
10...30 VDC, 3-wire built-in	10...30 VDC, 3-wire built-in	10...30 VDC, 3-wire built-in	10...30 VDC, 3-wire built-in	10...30 VDC, 3-wire built-in	10...30 VDC, 3-wire built-in
< 8 mA	< 8 mA	< 8 mA	< 8 mA	< 8 mA	< 8 mA
200 mA	200 mA	200 mA	200 mA	200 mA	200 mA
built-in - self resetting	built-in - self resetting	built-in - self resetting	built-in - self resetting	built-in - self resetting	built-in - self resetting
< 1.5 V @ 200 mA	< 1.5 V @ 200 mA	< 1.5 V @ 200 mA	< 1.5 V @ 200 mA	< 1.5 V @ 200 mA	< 1.5 V @ 200 mA
400 Hz	400 Hz	1000 Hz	1000 Hz	1000 Hz	1000 Hz
< 1 % (Sn)	< 1 % (Sn)	< 1 % (Sn)	< 1 % (Sn)	< 1 % (Sn)	< 1 % (Sn)
3...15 %	3...15 %	3...15 %	3...15 %	3...15 %	3...15 %
-25...75 °C	-25...75 °C	-25...75 °C	-25...75 °C	-25...75 °C	-25...75 °C
IP67	IP67	IP67	IP67	IP67	IP67
POM	POM	POM	POM	POM	POM
Plated Brass	Plated Brass	Plated Brass	Plated Brass	Plated Brass	Plated Brass
Connector M12, 4-pole Integrated	Connector M12, 4-pole Integrated	High-Flex PVC, 2m Integrated	High-Flex PVC, 2m Integrated	Connector M12, 4-pole Integrated	Connector M12, 4-pole Integrated

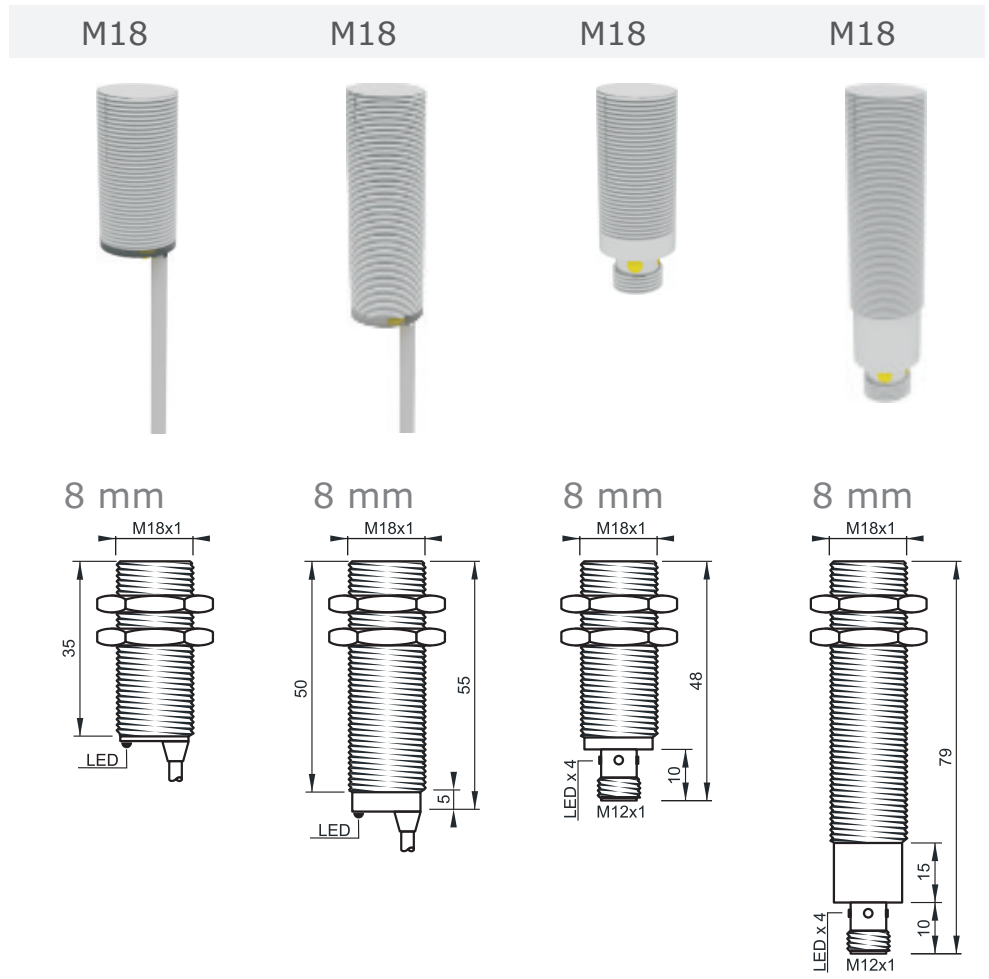
IPS12-N10PO50/M12	IPS12-N10PO68/M12	IPS18-S5PO35/A2P	IPS18-S5PO55/A2P	IPS179S5PO4-/M12	IPS18-S5PO48/M12
IPS12-N10PC50/M12	IPS12-N10PC68/M12	IPS18-S5PC35/A2P	IPS18-S5PC55/A2P	IPS179S5PC4-/M12	IPS18-S5PC48/M12
IPS12-N10NO50/M12	IPS12-N10NO68/M12	IPS18-S5NO35/A2P	IPS18-S5NO55/A2P	IPS179S5NO4-/M12	IPS18-S5NO48/M12
IPS12-N10NC50/M12	IPS12-N10NC68/M12	IPS18-S5NC35/A2P	IPS18-S5NC55/A2P	IPS18-S5NC79/M12	IPS18-S5NC48/M12
			IPS18-S5DO55/A2P	IPS18-S5DO79/M12	
			IPS18-S5DC55/A2P	IPS18-S5DC79/M12	
M12/3...	M12/3...	-	-	M12/3...	M12/3...

Inductive Proximity Switches

Output Schematics



Not to be used for Safety Applications



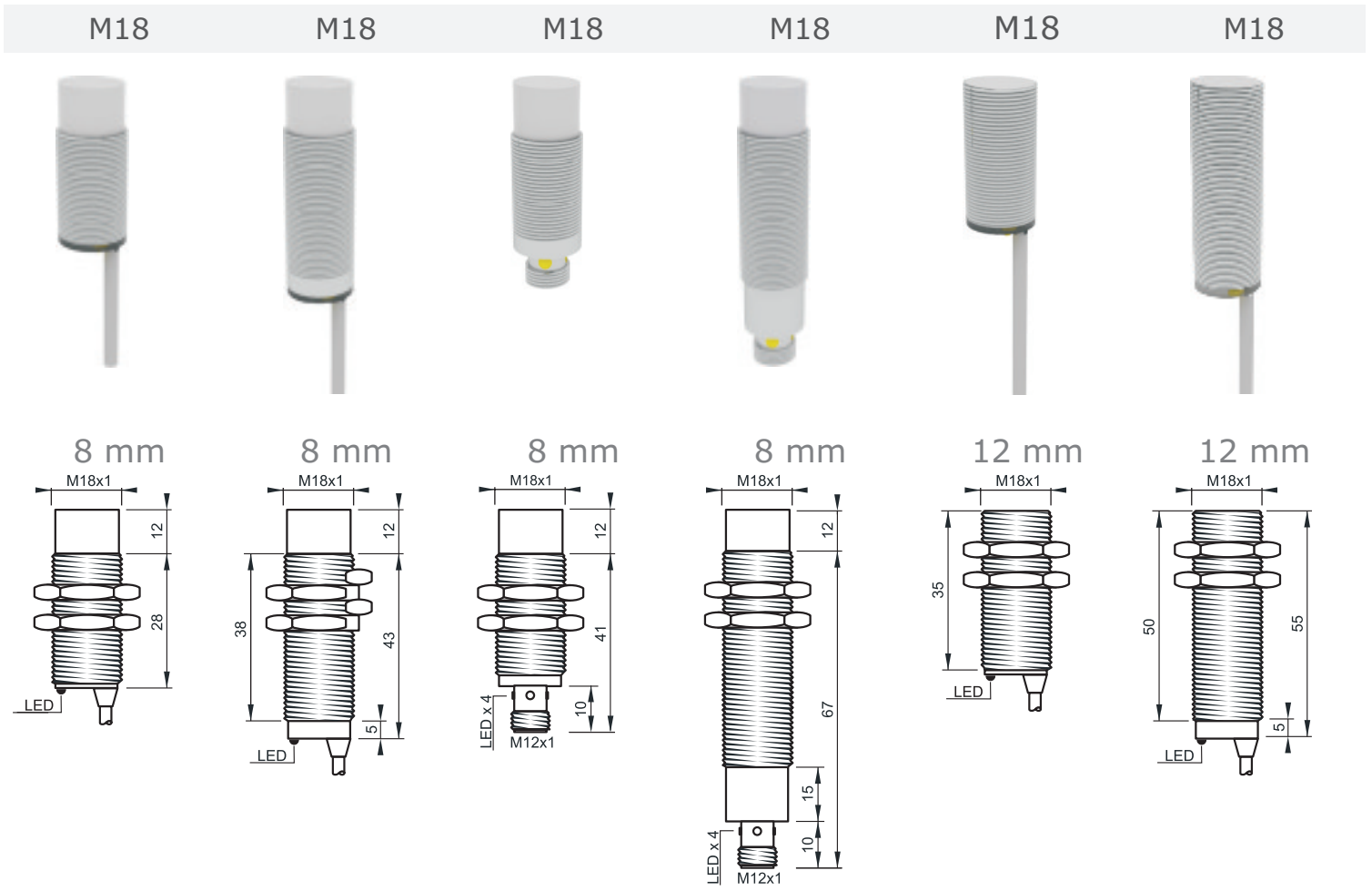
SPECIFICATIONS

	M18x1	M18x1	M18x1	M18x1
Sensing Distance	8 mm - Shielded	8 mm - Shielded	8 mm - Shielded	8 mm - Shielded
Operating Voltage	10...30 VDC, 3-wire	10...30 VDC, 3-wire	10...30 VDC, 3-wire	10...30 VDC, 3-wire
Reverse Polarity Protection	built-in	built-in	built-in	built-in
Current Consumption	< 8 mA	< 8 mA	< 8 mA	< 8 mA
Current Load Capability	200 mA	200 mA	200 mA	200 mA
Short Circuit Protection	built-in - self resetting	built-in - self resetting	built-in - self resetting	built-in - self resetting
Voltage Drop	< 1.5 V @ 200 mA	< 1.5 V @ 200 mA	< 1.5 V @ 200 mA	< 1.5 V @ 200 mA
Switching Frequency	500 Hz	500 Hz	500 Hz	500 Hz
Repeatability	< 1 % (Sn)	< 1 % (Sn)	< 1 % (Sn)	< 1 % (Sn)
Hysteresis	3...15 %	3...15 %	3...15 %	3...15 %
Operating Temperature	-25...75 °C	-25...75 °C	-25...75 °C	-25...75 °C
Protection Class	IP67	IP67	IP67	IP67
Sensing Face Material	POM	POM	POM	POM
Housing Material	Plated Brass	Plated Brass	Plated Brass	Plated Brass
Connection	High-Flex PVC, 2m	High-Flex PVC, 2m	Connector M12, 4-pole	Connector M12, 4-pole
Output Indicator	Integrated	Integrated	Integrated	Integrated

Article Code

PNP - NO, 3-wire	IPS18-S8PO35/A2P	IPS18-S8PO55/A2P	IPS18-S8PO48/M12	IPS18-S8PO79/M12
PNP - NC, 3-wire	IPS18-S8PC35/A2P	IPS18-S8PC55/A2P	IPS18-S8PC48/M12	IPS18-S8PC79/M12
PNP - NO+NC, 4-wire	IPS18-S8PCO35/A2P	IPS18-S8PCO55/A2P	IPS18-S8PCO48/M12	IPS18-S8PCO79/M12
NPN - NO, 3-wire	IPS18-S8NO35/A2P	IPS18-S8NO55/A2P	IPS18-S8NO48/M12	IPS18-S8NO79/M12
NPN - NC, 3-wire	IPS18-S8NC35/A2P	IPS18-S8NC55/A2P	IPS18-S8NC48/M12	IPS18-S8NC79/M12
NPN - NO+NC, 4-wire	IPS18-S8NCO35/A2P	IPS18-S8NCO55/A2P	IPS18-S8NCO48/M12	IPS18-S8NCO79/M12
10...55 VDC - NO, 2-wire		IPS18-S8DO55/A2P		IPS18-S8DO79/M12
10...55 VDC - NC, 2-wire		IPS18-S8DC55/A2P		IPS18-S8DC79/M12
Recommended Connecting Cable	-	-	M12/3... / M12/4...	M12/3... / M12/4...

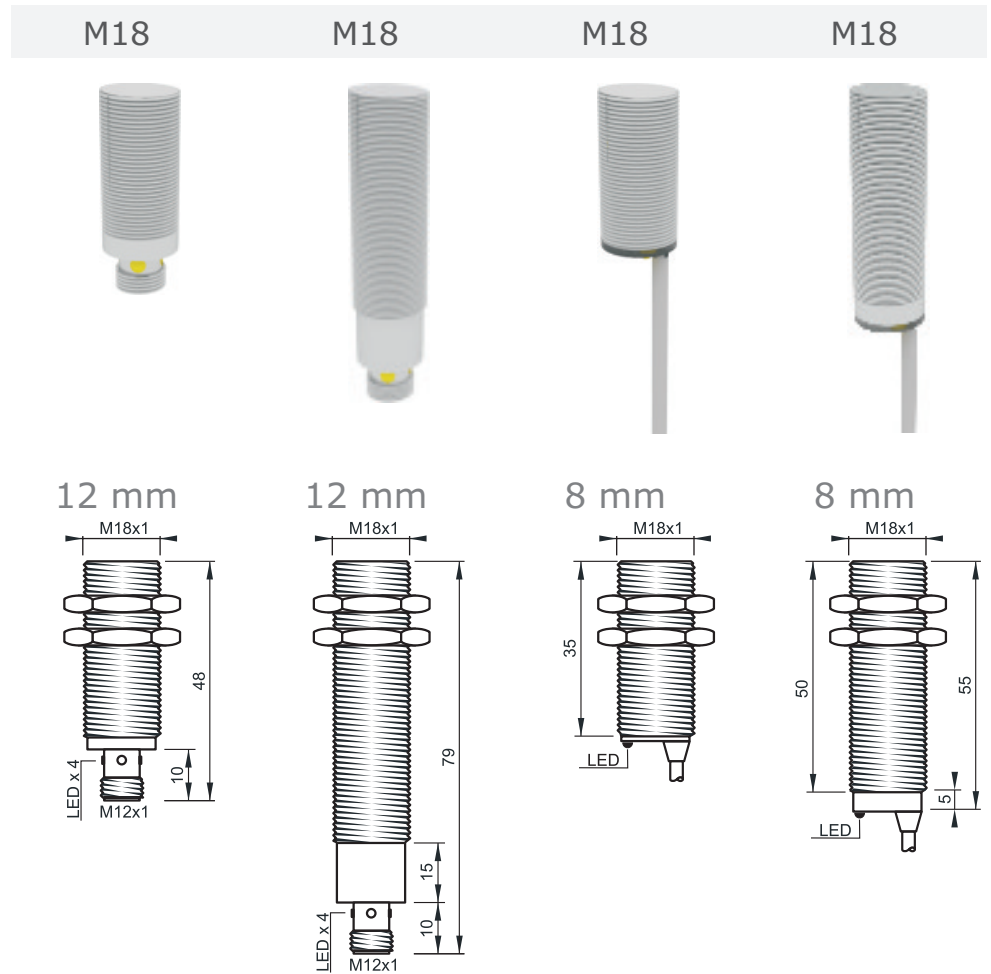
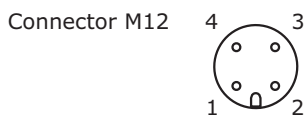
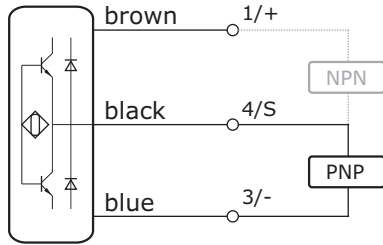
Inductive Proximity Switches



M18x1	M18x1	M18x1	M18x1	M18x1	M18x1
8 mm - Unshielded	8 mm - Unshielded	8 mm - Unshielded	8 mm - Unshielded	12 mm - Shielded	12 mm - Shielded
10...30 VDC, 3-wire integrado	10...30 VDC, 3-wire built-in	10...30 VDC, 3-wire built-in	10...30 VDC, 3-wire built-in	10...30 VDC, 3-wire built-in	10...30 VDC, 3-wire built-in
< 8 mA	< 8 mA	< 8 mA	< 8 mA	< 8 mA	< 8 mA
200 mA	200 mA	200 mA	200 mA	200 mA	200 mA
built-in - self resetting	built-in - self resetting	built-in - self resetting	built-in - self resetting	built-in - self resetting	built-in - self resetting
< 1.5 V @ 200 mA	< 1.5 V @ 200 mA	< 1.5 V @ 200 mA	< 1.5 V @ 200 mA	< 1.5 V @ 200 mA	< 1.5 V @ 200 mA
500 Hz	500 Hz	500 Hz	500 Hz	300 Hz	300 Hz
< 1 % (Sn)	< 1 % (Sn)	< 1 % (Sn)	< 1 % (Sn)	< 1 % (Sn)	< 1 % (Sn)
3...15 %	3...15 %	3...15 %	3...15 %	3...15 %	3...15 %
-25...75 °C	-25...75 °C	-25...75 °C	-25...75 °C	-25...75 °C	-25...75 °C
IP67	IP67	IP67	IP67	IP67	IP67
POM	POM	POM	POM	POM	POM
Plated Brass	Plated Brass	Plated Brass	Plated Brass	Plated Brass	Plated Brass
High-Flex PVC, 2m Integrated	High-Flex PVC, 2m Integrated	Connector M12, 4-pole Integrated	Connector M12, 4-pole Integrated	High-Flex PVC, 2m Integrated	High-Flex PVC, 2m Integrated
IPS18-N8PO40/A2P IPS18-N8PC40/A2P	IPS18-N8PO55/A2P IPS18-N8PC55/A2P	IPS18-N8PO53/M12 IPS18-N8PC53/M12	IPS18-N8PO79/M12 IPS18-N8PC79/M12	IPS18-S12PO35/A2P IPS18-S12PC35/A2P	IPS18-S12PO55/A2P IPS18-S12PC55/A2P
IPS18-N8NO40/A2P IPS18-N8NC40/A2P	IPS18-N8NO55/A2P IPS18-N8NC55/A2P	IPS18-N8NO53/M12 IPS18-N8NC53/M12	IPS18-N8NO79/M12 IPS18-N8NC79/M12	IPS18-S12NO35/A2P IPS18-S12NC35/A2P	IPS18-S12NO55/A2P IPS18-S12NC55/A2P
-	IPS18-N8DO55/A2P IPS18-N8DC55/A2P	M12/3...	IPS18-N8DO79/M12 IPS18-N8DC79/M12 M12/3...	-	-

Inductive Proximity Switches

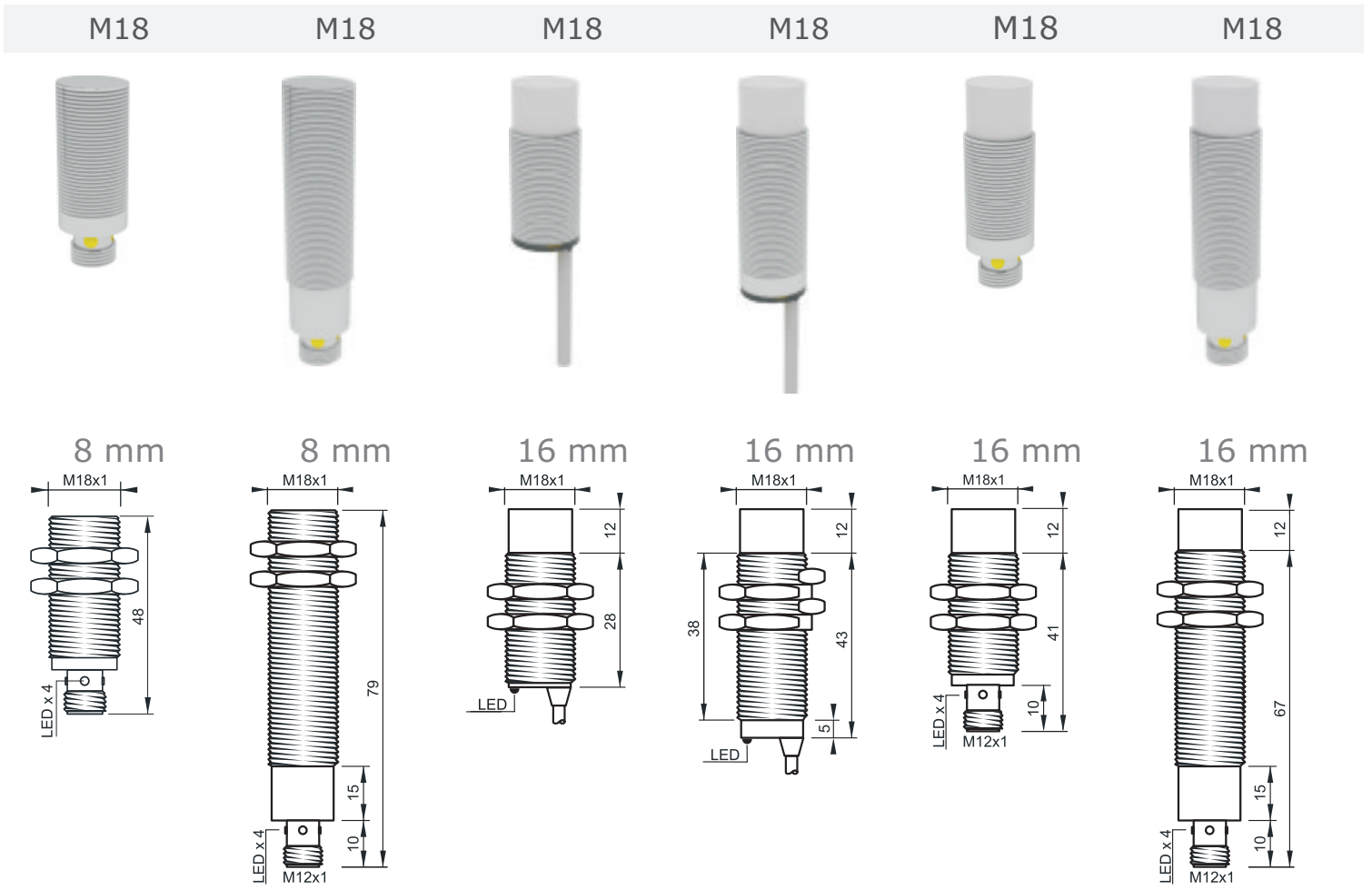
Output Schematics



SPECIFICATIONS

	M18x1	M18x1	M18 Metal Face	M18 Metal Face
Sensing Distance	12 mm - Shielded	12 mm - Shielded	8 mm - Shielded	8 mm - Shielded
Operating Voltage	10...30 VDC, 3-wire	10...30 VDC, 3-wire	10...30 VDC, 3-wire	10...30 VDC, 3-wire
Reverse Polarity Protection	built-in	built-in	built-in	built-in
Current Consumption	< 8 mA	< 8 mA	< 8 mA	< 8 mA
Current Load Capability	200 mA	200 mA	200 mA	200 mA
Short Circuit Protection	built-in - self resetting	built-in - self resetting	built-in - self resetting	built-in - self resetting
Voltage Drop	< 1.5 V @ 200 mA	< 1.5 V @ 200 mA	< 1.5 V @ 200 mA	< 1.5 V @ 200 mA
Switching Frequency	300 Hz	300 Hz	1000 Hz	1000 Hz
Repeatability	< 1 % (Sn)	< 1 % (Sn)	< 1 % (Sn)	< 1 % (Sn)
Hysteresis	3...15 %	3...15 %	3...15 %	3...15 %
Operating Temperature	-25...75 °C	-25...75 °C	-25...75 °C	-25...75 °C
Protection Class	IP67	IP67	IP69k, Conn. IP67	IP69k, Conn. IP67
Sensing Face Material	POM	POM	1.4305 / SS303	1.4305 / SS303
Housing Material	Plated Brass	Plated Brass	1.4305 / SS303	1.4305 / SS303
Connection	Connector M12, 4-pole	Connector M12, 4-pole	High-Flex PVC, 2m	High-Flex PVC, 2m
Output Indicator	Integrated	Integrated	Integrated	Integrated
Article Code				
PNP - NO, 3-wire	IPS18-S12PO48/M12	IPS18-S12PO79/M12	IMF18-S8PO35/A2P	IMF18-S8PO55/A2P
PNP - NC, 3-wire	IPS18-S12PC48/M12	IPS18-S12PC79/M12	IMF18-S8PC35/A2P	IMF18-S8PC55/A2P
PNP - NO+NC, 4-wire				
NPN - NO, 3-wire	IPS18-S12NO48/M12	IPS18-S12NO79/M12	IMF18-S8NO35/A2P	IMF18-S8NO55/A2P
NPN - NC, 3-wire	IPS18-S12NC48/M12	IPS18-S12NC79/M12	IMF18-S8NC35/A2P	IMF18-S8NC55/A2P
NPN - NO+NC, 4-wire				
10...55 VDC - NO, 2-wire				
10...55 VDC - NC, 2-wire				
Recommended Connecting Cable	M12/3...	M12/3...	-	-

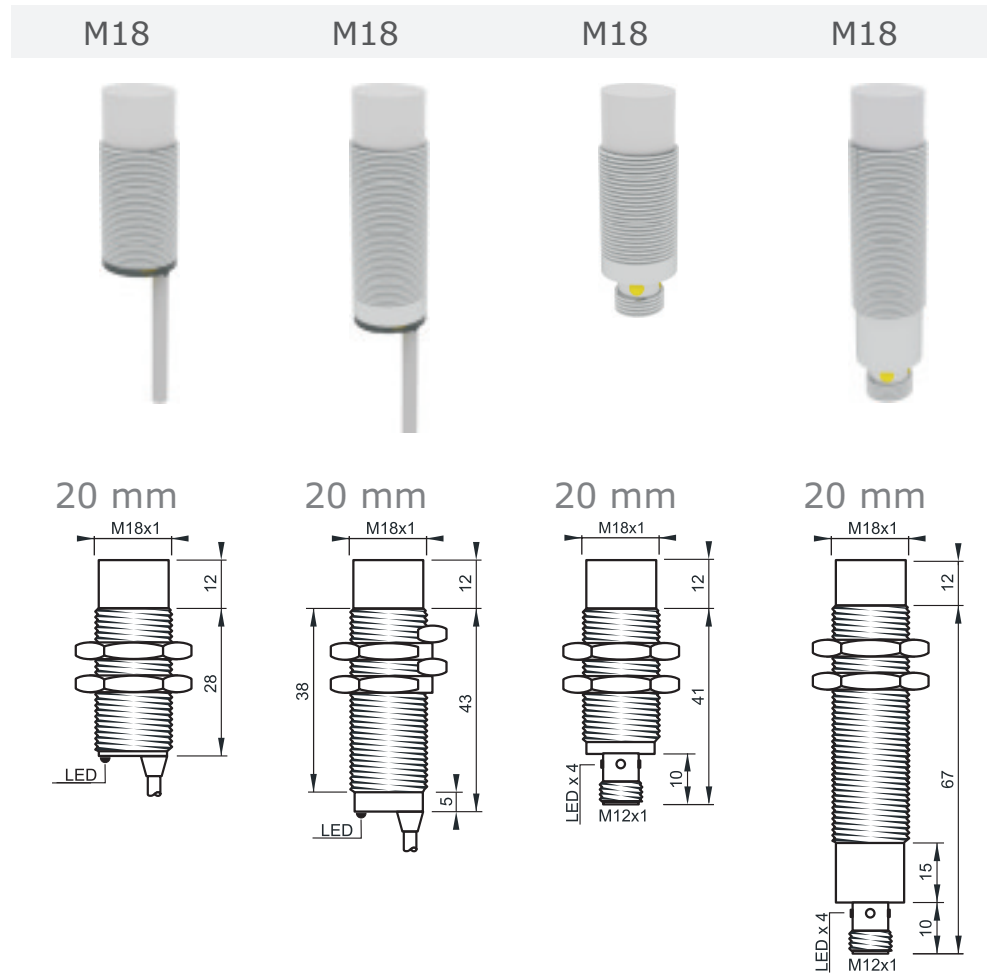
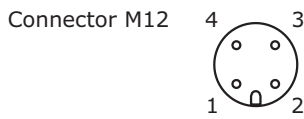
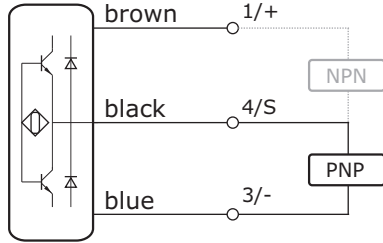
Inductive Proximity Switches



M18 Metal Face	M18 Metal Face	M18x1	M18x1	M18x1	M18x1
8 mm - Shielded	8 mm - Shielded	16 mm - Unshielded	16 mm - Unshielded	16 mm - Unshielded	16 mm - Unshielded
10...30 VDC, 3-wire built-in	10...30 VDC, 3-wire built-in	10...30 VDC, 3-wire built-in	10...30 VDC, 3-wire built-in	10...30 VDC, 3-wire built-in	10...30 VDC, 3-wire built-in
< 8 mA	< 8 mA	< 8 mA	< 8 mA	< 8 mA	< 8 mA
200 mA	200 mA	200 mA	200 mA	200 mA	200 mA
built-in - self resetting	built-in - self resetting	built-in - self resetting	built-in - self resetting	built-in - self resetting	built-in - self resetting
< 1.5 V @ 200 mA	< 1.5 V @ 200 mA	< 1.5 V @ 200 mA	< 1.5 V @ 200 mA	< 1.5 V @ 200 mA	< 1.5 V @ 200 mA
1000 Hz	1000 Hz	150 Hz	150 Hz	150 Hz	150 Hz
< 1 % (Sn)	< 1 % (Sn)	< 1 % (Sn)	< 1 % (Sn)	< 1 % (Sn)	< 1 % (Sn)
3...15 %	3...15 %	3...15 %	3...15 %	3...15 %	3...15 %
-25...75 °C	-25...75 °C	-25...75 °C	-25...75 °C	-25...75 °C	-25...75 °C
IP69k, Conn. IP67	IP69k, Conn. IP67	IP67	IP67	IP67	IP67
1.4305 / SS303	1.4305 / SS303	POM	POM	POM	POM
1.4305 / SS303	1.4305 / SS303	Plated Brass	Plated Brass	Plated Brass	Plated Brass
Connector M12, 4-pole Integrated	Connector M12, 4-pole Integrated	High-Flex PVC, 2m Integrated	High-Flex PVC, 2m Integrated	Connector M12, 4-pole Integrated	Connector M12, 4-pole Integrated
IMF18-S8PO48/M12	IMF18-S8PO79/M12	IPS18-N16PO40/A2P	IPS18-N16PO55/A2P	IPS18-N16PO53/M12	IPS18-N16PO79/M12
IMF18-S8PC48/M12	IMF18-S8PC79/M12	IPS18-N16PC40/A2P	IPS18-N16PC55/A2P	IPS18-N16PC53/M12	IPS18-N16PC79/M12
IMF18-S8NO48/M12	IMF18-S8NO79/M12	IPS18-N16NO40/A2P	IPS18-N16NO55/A2P	IPS18-N16NO53/M12	IPS18-N16NO79/M12
IMF18-S8NC48/M12	IMF18-S8NC79/M12	IPS18-N16NC40/A2P	IPS18-N16NC55/A2P	IPS18-N16NC53/M12	IPS18-N16NC79/M12
			IPS18-N16DO55/A2P		IPS18-N16DO79/M12
			IPS18-N16DC55/A2P		IPS18-N16DC79/M12
M12/3...	M12/3...	-	-	M12/3...	M12/3...

Inductive Proximity Switches

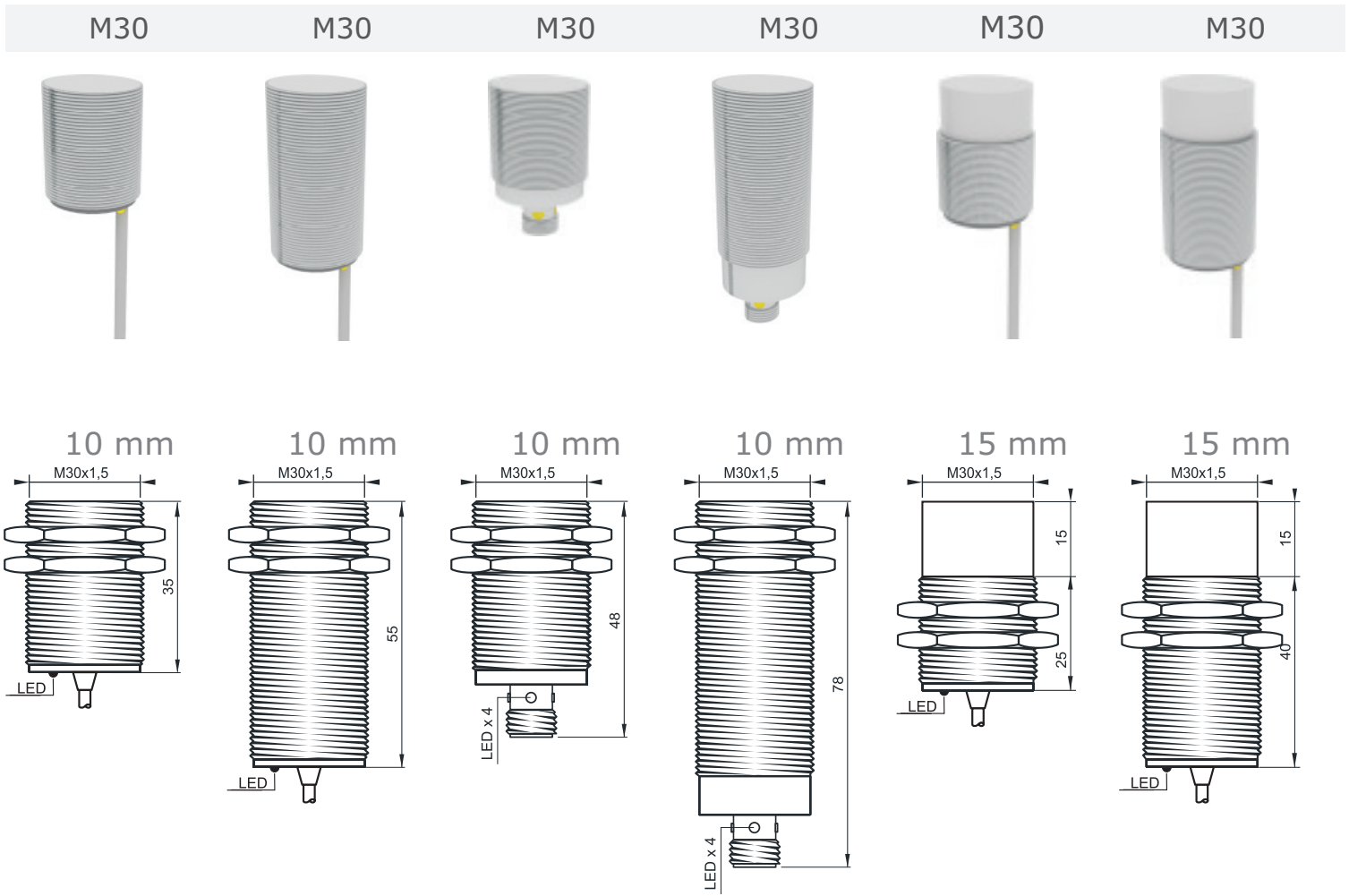
Output Schematics



SPECIFICATIONS

	M18x1	M18x1	M18x1	M18x1
Sensing Distance	20 mm - Unshielded	20 mm - Unshielded	20 mm - Unshielded	20 mm - Unshielded
Operating Voltage	10...30 VDC, 3-wire	10...30 VDC, 3-wire	10...30 VDC, 3-wire	10...30 VDC, 3-wire
Reverse Polarity Protection	built-in	built-in	built-in	built-in
Current Consumption	< 8 mA	< 8 mA	< 8 mA	< 8 mA
Current Load Capability	200 mA	200 mA	200 mA	200 mA
Short Circuit Protection	built-in - self resetting	built-in - self resetting	built-in - self resetting	built-in - self resetting
Voltage Drop	< 1.5 V @ 200 mA	< 1.5 V @ 200 mA	< 1.5 V @ 200 mA	< 1.5 V @ 200 mA
Switching Frequency	100 Hz	100 Hz	100 Hz	100 Hz
Repeatability	< 1 % (Sn)	< 1 % (Sn)	< 1 % (Sn)	< 1 % (Sn)
Hysteresis	3...15 %	3...15 %	3...15 %	3...15 %
Operating Temperature	-25...75 °C	-25...75 °C	-25...75 °C	-25...75 °C
Protection Class	IP67	IP67	IP67	IP67
Sensing Face Material	POM	POM	POM	POM
Housing Material	Plated Brass	Plated Brass	Plated Brass	Plated Brass
Connection	High-Flex PVC, 2m	High-Flex PVC, 2m	Connector M12, 4-pole	Connector M12, 4-pole
Output Indicator	Integrated	Integrated	Integrated	Integrated
Article Code				
PNP - NO, 3-wire	IPS18-N20PO40/A2P	IPS18-N20PO55/A2P	IPS18-N20PO53/M12	IPS18-N20PO79/M12
PNP - NC, 3-wire	IPS18-N20PC40/A2P	IPS18-N20PC55/A2P	IPS18-N20PC53/M12	IPS18-N20PC79/M12
PNP - NO+NC, 4-wire				
NPN - NO, 3-wire	IPS18-N20NO40/A2P	IPS18-N20NO55/A2P	IPS18-N20NO53/M12	IPS18-N20NO79/M12
NPN - NC, 3-wire	IPS18-N20NC40/A2P	IPS18-N20NC55/A2P	IPS18-N20NC53/M12	IPS18-N20NC79/M12
NPN - NO+NC, 4-wire				
10...55 VDC - NO, 2-wire				
10...55 VDC - NC, 2-wire				
Recommended Connecting Cable	-	-	M12/3...	M12/3...

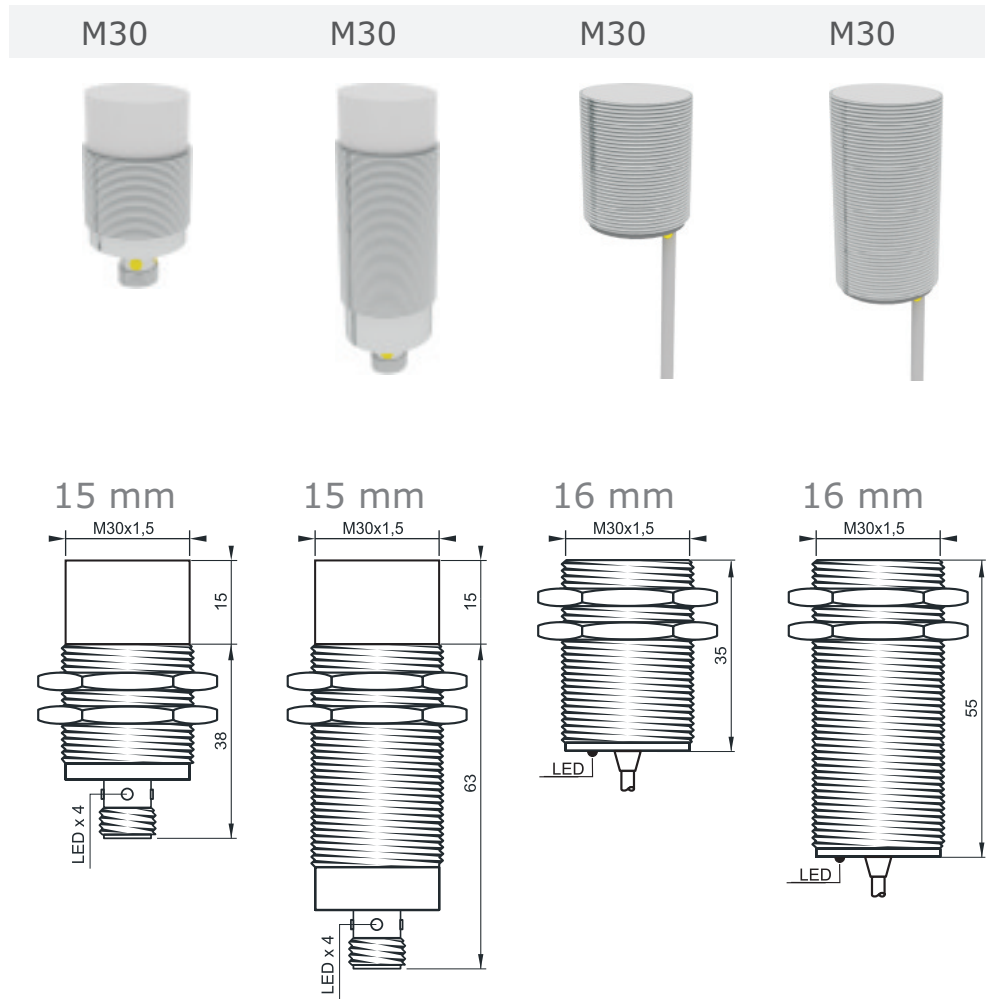
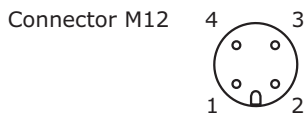
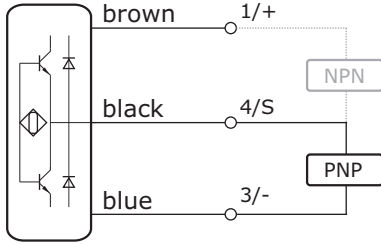
Inductive Proximity Switches



M30x1.5	M30x1.5	M30x1.5	M30x1.5	M30x1.5	M30x1.5
10 mm - Shielded	10 mm - Shielded	10 mm - Shielded	10 mm - Shielded	15 mm - Unshielded	15 mm - Unshielded
10...30 VDC, 3-wire built-in	10...30 VDC, 3-wire built-in	10...30 VDC, 3-wire built-in	10...30 VDC, 3-wire built-in	10...30 VDC, 3-wire built-in	10...30 VDC, 3-wire built-in
< 8 mA	< 8 mA	< 8 mA	< 8 mA	< 8 mA	< 8 mA
200 mA	200 mA	200 mA	200 mA	200 mA	200 mA
built-in - self resetting	built-in - self resetting	built-in - self resetting	built-in - self resetting	built-in - self resetting	built-in - self resetting
< 1.5 V @ 200 mA	< 1.5 V @ 200 mA	< 1.5 V @ 200 mA	< 1.5 V @ 200 mA	< 1.5 V @ 200 mA	< 1.5 V @ 200 mA
300 Hz	300 Hz	300 Hz	300 Hz	150 Hz	150 Hz
< 1 % (Sn)	< 1 % (Sn)	< 1 % (Sn)	< 1 % (Sn)	< 1 % (Sn)	< 1 % (Sn)
3...15 %	3...15 %	3...15 %	3...15 %	3...15 %	3...15 %
-25...75 °C	-25...75 °C	-25...75 °C	-25...75 °C	-25...75 °C	-25...75 °C
IP67	IP67	IP67	IP67	IP67	IP67
POM	POM	POM	POM	POM	POM
Plated Brass	Plated Brass	Plated Brass	Plated Brass	Plated Brass	Plated Brass
High-Flex PVC, 2m Integrated	High-Flex PVC, 2m Integrated	Connector M12, 4-pole Integrated	Connector M12, 4-pole Integrated	High-Flex PVC, 2m Integrated	High-Flex PVC, 2m Integrated
IPS30-S10PO35/A2P IPS30-S10PC35/A2P	IPS30-S10PO55/A2P IPS30-S10PC55/A2P	IPS30-S10PO48/M12 IPS30-S10PC48/M12	IPS30-S10PO79/M12 IPS30-S10PC79/M12	IPS30-N15PO40/A2P IPS30-N15PC40/A2P	IPS30-N15PO55/A2P IPS30-N15PC55/A2P
IPS30-S10NO35/A2P IPS30-S10NC35/A2P	IPS30-S10NO55/A2P IPS30-S10NC55/A2P	IPS30-S10NO48/M12 IPS30-S10NC48/M12	IPS30-S10NO79/M12 IPS30-S10NC79/M12	IPS30-N15NO40/A2P IPS30-N15NC40/A2P	IPS30-N15NO55/A2P IPS30-N15NC55/A2P
-	IPS30-S10DO55/A2P IPS30-S10DC55/A2P	M12/3...	IPS30-S10DO79/M12 IPS30-S10DC79/M12	-	IPS30-N15DO55/A2P IPS30-N15DC55/A2P

Inductive Proximity Switches

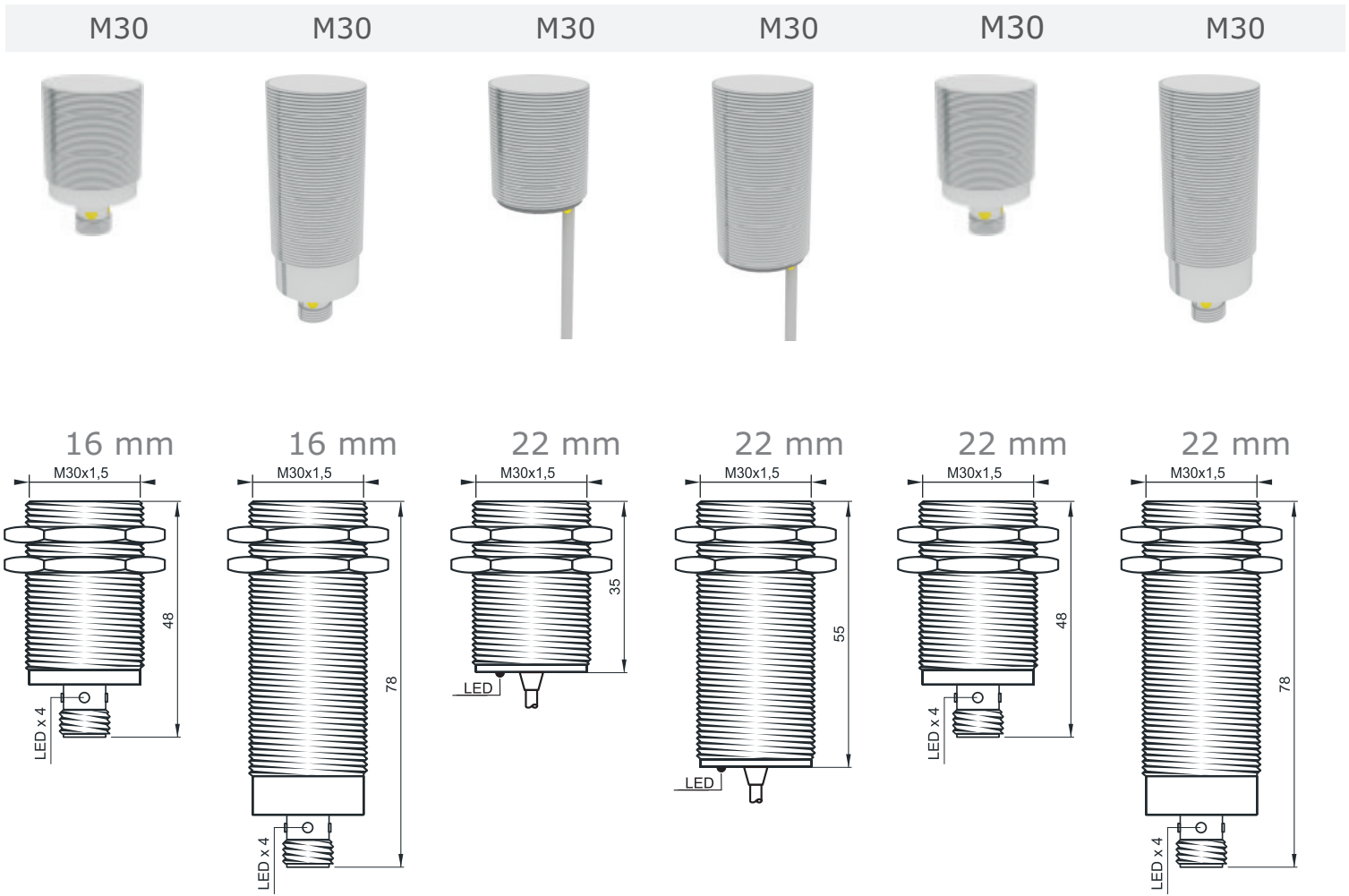
Output Schematics



SPECIFICATIONS

	M30x1.5	M30x1.5	M30x1.5	M30x1.5
Sensing Distance	15 mm - Unshielded	15 mm - Unshielded	16 mm - Shielded	16 mm - Shielded
Operating Voltage	10...30 VDC, 3-wire	10...30 VDC, 3-wire	10...30 VDC, 3-wire	10...30 VDC, 3-wire
Reverse Polarity Protection	built-in	built-in	built-in	built-in
Current Consumption	< 8 mA	< 8 mA	< 8 mA	< 8 mA
Current Load Capability	200 mA	200 mA	200 mA	200 mA
Short Circuit Protection	built-in - self resetting	built-in - self resetting	built-in - self resetting	built-in - self resetting
Voltage Drop	< 1.5 V @ 200 mA	< 1.5 V @ 200 mA	< 1.5 V @ 200 mA	< 1.5 V @ 200 mA
Switching Frequency	150 Hz	150 Hz	150 Hz	150 Hz
Repeatability	< 1 % (Sn)	< 1 % (Sn)	< 1 % (Sn)	< 1 % (Sn)
Hysteresis	3...15 %	3...15 %	3...15 %	3...15 %
Operating Temperature	-25...75 °C	-25...75 °C	-25...75 °C	-25...75 °C
Protection Class	IP67	IP67	IP67	IP67
Sensing Face Material	POM	POM	POM	POM
Housing Material	Plated Brass	Plated Brass	Plated Brass	Plated Brass
Connection	Connector M12, 4-pole	Connector M12, 4-pole	High-Flex PVC, 2m	High-Flex PVC, 2m
Output Indicator	Integrated	Integrated	Integrated	Integrated
Article Code				
PNP - NO, 3-wire	IPS30-N15PO53/M12	IPS30-N15PO79/M12	IPS30-S16PO35/A2P	IPS30-S16PO55/A2P
PNP - NC, 3-wire	IPS30-N15PC53/M12	IPS30-N15PC79/M12	IPS30-S16PC35/A2P	IPS30-S16PC55/A2P
PNP - NO+NC, 4-wire				
NPN - NO, 3-wire	IPS30-N15NO53/M12	IPS30-N15NO79/M12	IPS30-S16NO35/A2P	IPS30-S16NO55/A2P
NPN - NC, 3-wire	IPS30-N15NC53/M12	IPS30-N15NC79/M12	IPS30-S16NC35/A2P	IPS30-S16NC55/A2P
NPN - NO+NC, 4-wire				
10...55 VDC - NO, 2-wire		IPS30-N15DO79/M12		IPS30-S16DO55/A2P
10...55 VDC - NC, 2-wire		IPS30-N15DC79/M12		IPS30-S16DC55/A2P
Recommended Connecting Cable	M12/3...	M12/3...	-	-

Inductive Proximity Switches

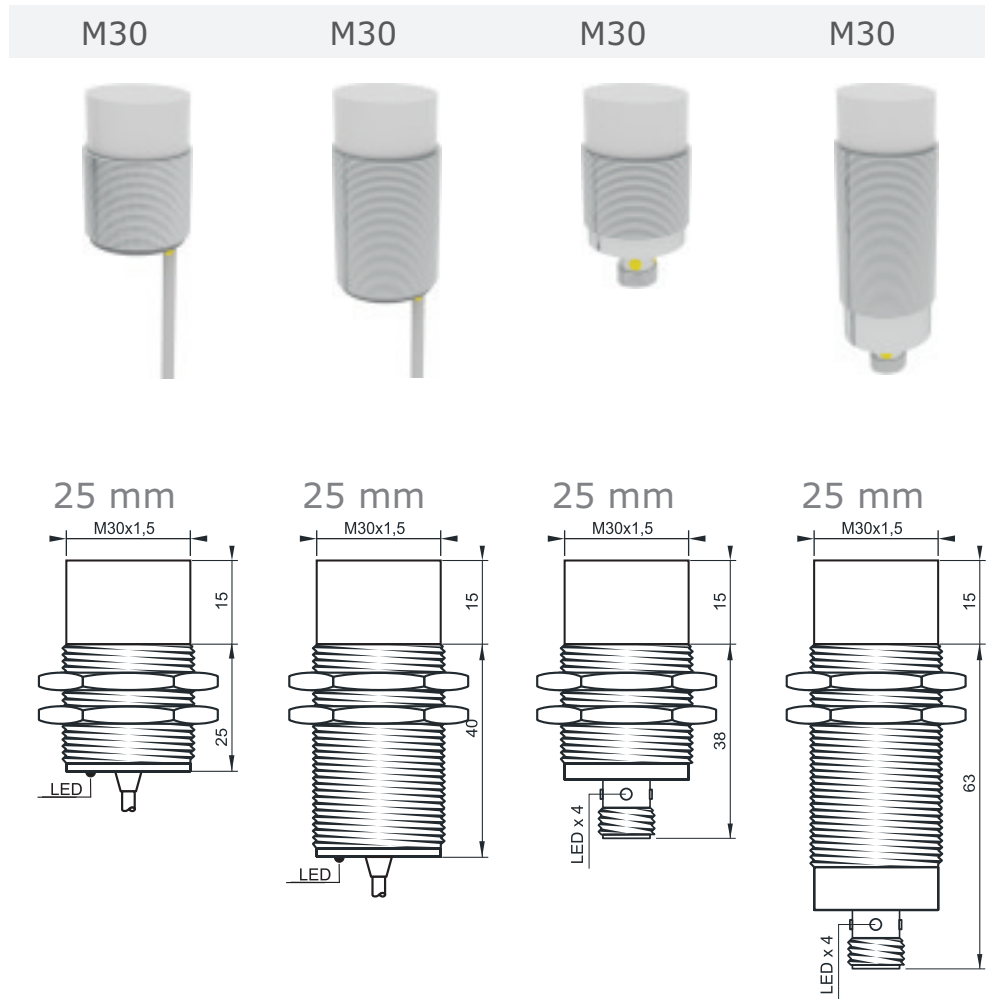
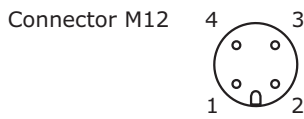
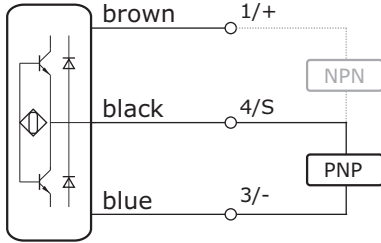


M30x1.5	M30x1.5	M30x1.5	M30x1.5	M30x1.5	M30x1.5
16 mm - Shielded	16 mm - Shielded	22 mm - Shielded	22 mm - Shielded	22 mm - Shielded	22 mm - Shielded
10...30 VDC, 3-wire built-in	10...30 VDC, 3-wire built-in	10...30 VDC, 3-wire built-in	10...30 VDC, 3-wire built-in	10...30 VDC, 3-wire built-in	10...30 VDC, 3-wire built-in
< 8 mA	< 8 mA	< 8 mA	< 8 mA	< 8 mA	< 8 mA
200 mA	200 mA	200 mA	200 mA	200 mA	200 mA
built-in - self resetting	built-in - self resetting	built-in - self resetting	built-in - self resetting	built-in - self resetting	built-in - self resetting
< 1.5 V @ 200 mA	< 1.5 V @ 200 mA	< 1.5 V @ 200 mA	< 1.5 V @ 200 mA	< 1.5 V @ 200 mA	< 1.5 V @ 200 mA
150 Hz	150 Hz	300 Hz	300 Hz	300 Hz	300 Hz
< 1 % (Sn)	< 1 % (Sn)	< 1 % (Sn)	< 1 % (Sn)	< 1 % (Sn)	< 1 % (Sn)
3...15 %	3...15 %	3...15 %	3...15 %	3...15 %	3...15 %
-25...75 °C	-25...75 °C	-25...75 °C	-25...75 °C	-25...75 °C	-25...75 °C
IP67	IP67	IP67	IP67	IP67	IP67
POM	POM	POM	POM	POM	POM
Plated Brass	Plated Brass	Plated Brass	Plated Brass	Plated Brass	Plated Brass
Connector M12, 4-pole Integrated	Connector M12, 4-pole Integrated	High-Flex PVC, 2m Integrated	High-Flex PVC, 2m Integrated	Connector M12, 4-pole Integrated	Connector M12, 4-pole Integrated

IPS30-S16PO48/M12	IPS30-S16PO79/M12	IPS30-S22PO35/A2P	IPS30-S22PO55/A2P	IPS30-S22PO48/M12	IPS30-S22PO79/M12
IPS30-S16PC48/M12	IPS30-S16PC79/M12	IPS30-S22PC35/A2P	IPS30-S22PC55/A2P	IPS30-S22PC48/M12	IPS30-S22PC79/M12
IPS30-S16NO48/M12	IPS30-S16NO79/M12	IPS30-S22NO35/A2P	IPS30-S22NO55/A2P	IPS30-S22NO48/M12	IPS30-S22NO79/M12
IPS30-S16NC48/M12	IPS30-S16NC79/M12	IPS30-S22NC35/A2P	IPS30-S22NC55/A2P	IPS30-S22NC48/M12	IPS30-S22NC79/M12
	IPS30-S16DO79/M12				
	IPS30-S16DC79/M12				
M12/3...	M12/3...	-	-	M12/3...	M12/3...

Inductive Proximity Switches

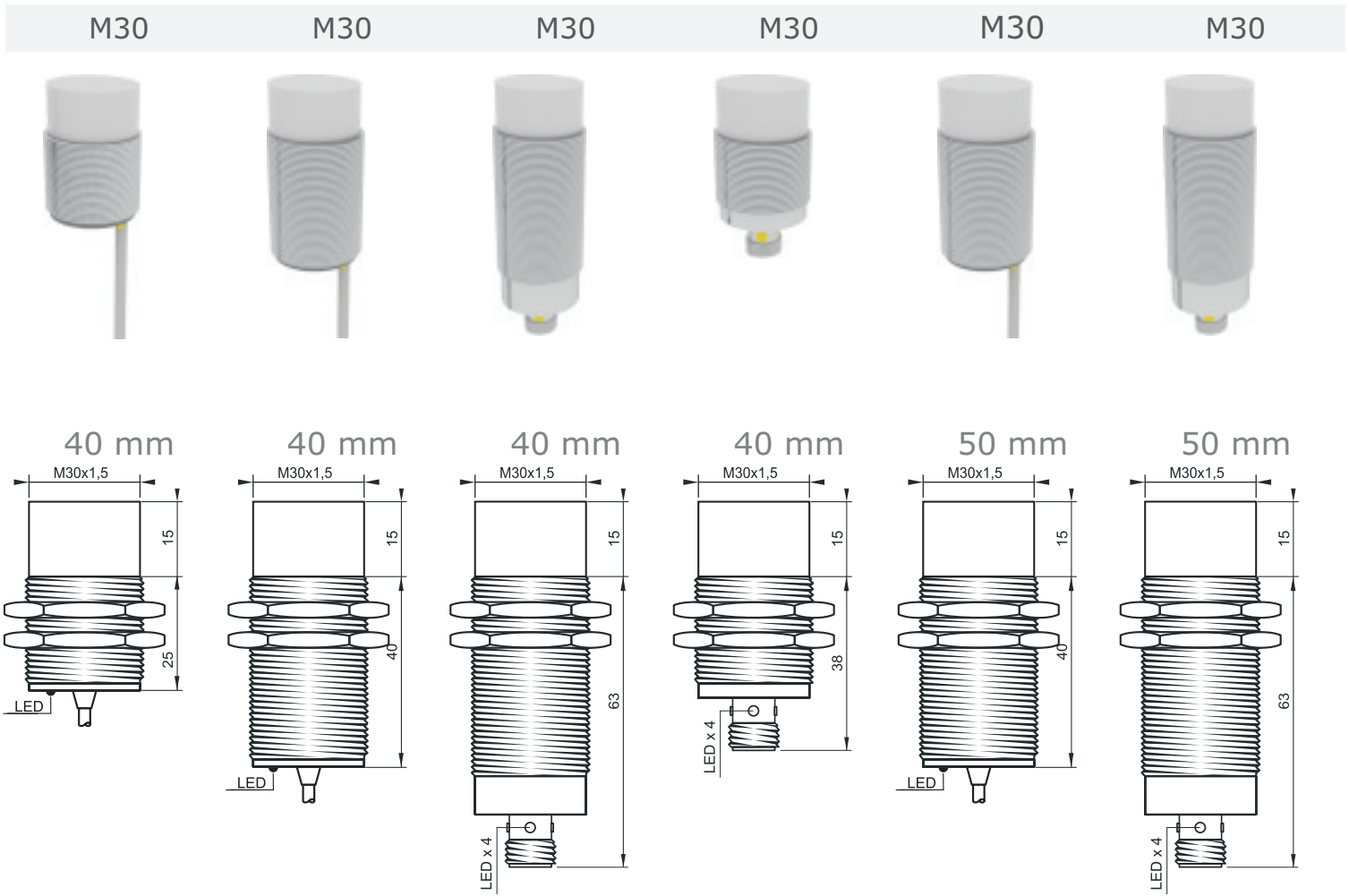
Output Schematics



SPECIFICATIONS

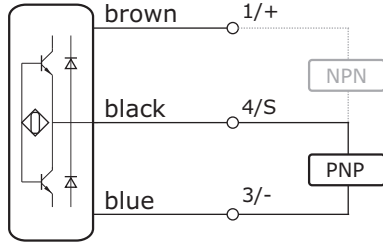
	M30x1.5	M30x1.5	M30x1.5	M30x1.5
Sensing Distance	25 mm - Unshielded	25 mm - Unshielded	25 mm - Unshielded	25 mm - Unshielded
Operating Voltage	10...30 VDC, 3-wire	10...30 VDC, 3-wire	10...30 VDC, 3-wire	10...30 VDC, 3-wire
Reverse Polarity Protection	built-in	built-in	built-in	built-in
Current Consumption	< 8 mA	< 8 mA	< 8 mA	< 8 mA
Current Load Capability	200 mA	200 mA	200 mA	200 mA
Short Circuit Protection	built-in - self resetting	built-in - self resetting	built-in - self resetting	built-in - self resetting
Voltage Drop	< 1.5 V @ 200 mA	< 1.5 V @ 200 mA	< 1.5 V @ 200 mA	< 1.5 V @ 200 mA
Switching Frequency	100 Hz	100 Hz	100 Hz	100 Hz
Repeatability	< 1 % (Sn)	< 1 % (Sn)	< 1 % (Sn)	< 1 % (Sn)
Hysteresis	3...15 %	3...15 %	3...15 %	3...15 %
Operating Temperature	-25...75 °C	-25...75 °C	-25...75 °C	-25...75 °C
Protection Class	IP67	IP67	IP67	IP67
Sensing Face Material	POM	POM	POM	POM
Housing Material	Plated Brass	Plated Brass	Plated Brass	Plated Brass
Connection	High-Flex PVC, 2m	High-Flex PVC, 2m	Connector M12, 4-pole	Connector M12, 4-pole
Output Indicator	Integrated	Integrated	Integrated	Integrated
Article Code				
PNP - NO, 3-wire	IPS30-N25PO40/A2P	IPS30-N25PO55/A2P	IPS30-N25PO53/M12	IPS30-N25PO79/M12
PNP - NC, 3-wire	IPS30-N25PC40/A2P	IPS30-N25PC55/A2P	IPS30-N25PC53/M12	IPS30-N25PC79/M12
PNP - NO+NC, 4-wire				
NPN - NO, 3-wire	IPS30-N25NO40/A2P	IPS30-N25NO55/A2P	IPS30-N25NO53/M12	IPS30-N25NO79/M12
NPN - NC, 3-wire	IPS30-N25NC40/A2P	IPS30-N25NC55/A2P	IPS30-N25NC53/M12	IPS30-N25NC79/M12
NPN - NO+NC, 4-wire				
10...55 VDC - NO, 2-wire		IPS30-N25DO55/A2P		IPS30-N25DO79/M12
10...55 VDC - NC, 2-wire		IPS30-N25DC55/A2P		IPS30-N25DC79/M12
Recommended Connecting Cable	-	-	M12/3...	M12/3...

Inductive Proximity Switches

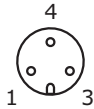


M30x1.5	M30x1.5	M30x1.5	M30x1.5	M30x1.5	M30x1.5
40 mm - Unshielded	40 mm - Unshielded	40 mm - Unshielded	40 mm - Unshielded	50 mm - Unshielded	50 mm - Unshielded
10...30 VDC, 3-wire built-in	10...30 VDC, 3-wire built-in	10...30 VDC, 3-wire built-in	10...30 VDC, 3-wire built-in	10...30 VDC, 3-wire built-in	10...30 VDC, 3-wire built-in
< 8 mA	< 8 mA	< 8 mA	< 8 mA	< 8 mA	< 8 mA
200 mA	200 mA	200 mA	200 mA	200 mA	200 mA
built-in - self resetting	built-in - self resetting	built-in - self resetting	built-in - self resetting	built-in - self resetting	built-in - self resetting
< 1.5 V @ 200 mA	< 1.5 V @ 200 mA	< 1.5 V @ 200 mA	< 1.5 V @ 200 mA	< 1.5 V @ 200 mA	< 1.5 V @ 200 mA
100 Hz	100 Hz	100 Hz	100 Hz	100 Hz	100 Hz
< 1 % (Sn)	< 1 % (Sn)	< 1 % (Sn)	< 1 % (Sn)	< 1 % (Sn)	< 1 % (Sn)
3...15 %	3...15 %	3...15 %	3...15 %	3...15 %	3...15 %
-25...75 °C	-25...75 °C	-25...75 °C	-25...75 °C	-25...75 °C	-25...75 °C
IP67	IP67	IP67	IP67	IP67	IP67
POM	POM	POM	POM	POM	POM
Plated Brass	Plated Brass	Plated Brass	Plated Brass	Plated Brass	Plated Brass
High-Flex PVC, 2m Integrated	High-Flex PVC, 2m Integrated	Connector M12, 4-pole Integrated	Connector M12, 4-pole Integrated	High-Flex PVC, 2m Integrated	Connector M12, 4-pole Integrated
IPS30-N40PO40/A2P IPS30-N40PC40/A2P	IPS30-N40PO55/A2P IPS30-N40PC55/A2P	IPS30-N40PO79/M12 IPS30-N40PC79/M12	IPS30-N40PO53/M12 IPS30-N40PC53/M12	IPS30-N50PO55/A2P IPS30-N50PC55/A2P	IPS30-N50PO79/M12 IPS30-N50PC79/M12
IPS30-N40NO40/A2P IPS30-N40NC40/A2P	IPS30-N40NO55/A2P IPS30-N40NC55/A2P	IPS30-N40NO79/M12 IPS30-N40NC79/M12	IPS30-N40NO53/M12 IPS30-N40NC53/M12	IPS30-N50NO55/A2P IPS30-N50NC55/A2P	IPS30-N50NO79/M12 IPS30-N50NC79/M12
-	-	M12/3...	M12/3...	-	M12/3...

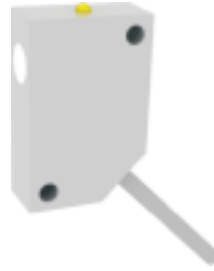
Output Schematics



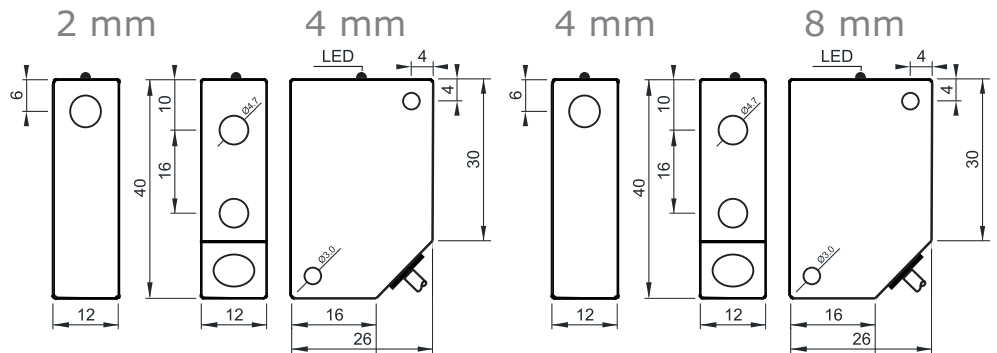
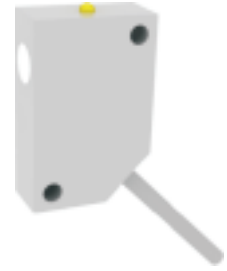
Connector M8



25x40



25x40

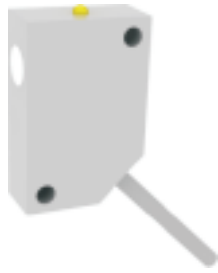


SPECIFICATIONS

	25 x 40 x 12 mm	25 x 40 x 12 mm	25 x 40 x 12 mm	25 x 40 x 12 mm
Sensing Distance	2 mm - Shielded	4 mm - Unshielded	4 mm - Shielded	8 mm - Unshielded
Operating Voltage	10...30 VDC, 3-wire	10...30 VDC, 3-wire	10...30 VDC, 3-wire	10...30 VDC, 3-wire
Reverse Polarity Protection	built-in	built-in	built-in	built-in
Current Consumption	< 8 mA	< 8 mA	< 8 mA	< 8 mA
Current Load Capability	200 mA	200 mA	200 mA	200 mA
Short Circuit Protection	built-in - self resetting	built-in - self resetting	built-in - self resetting	built-in - self resetting
Voltage Drop	< 1.5 V @ 200 mA	< 1.5 V @ 200 mA	< 1.5 V @ 200 mA	< 1.5 V @ 200 mA
Switching Frequency	2000 Hz	2000 Hz	1000 Hz	500 Hz
Repeatability	< 1 % (Sn)	< 1 % (Sn)	< 1 % (Sn)	< 1 % (Sn)
Hysteresis	3...15 %	3...15 %	3...15 %	3...15 %
Operating Temperature	-25...75 °C	-25...75 °C	-25...75 °C	-25...75 °C
Protection Class	IP67	IP67	IP67	IP67
Sensing Head	PBT	PBT	PBT	PBT
Housing Material	PBT	PBT	PBT	PBT
Connection	High-Flex PVC, 2m	High-Flex PVC, 2m	High-Flex PVC, 2m	High-Flex PVC, 2m
Output Indicator	Integrated	Integrated	Integrated	Integrated
Article Code				
PNP - NO, 3-wire	IPS2540-S2POS/A2P	IPS2540-N4POS/A2P	IPS2540-S4POS/A2P	IPS2540-N4POS/A2P
PNP - NC, 3-wire	IPS2540-S2PCS/A2P	IPS2540-N4PCS/A2P	IPS2540-S4PCS/A2P	IPS2540-N8PCS/A2P
PNP - NO+NC, 4-wire				
NPN - NO, 3-wire	IPS2540-S2NOS/A2P	IPS2540-N4NOS/A2P	IPS2540-S4NOS/A2P	IPS2540-N8NOS/A2P
NPN - NC, 3-wire	IPS2540-S2NCS/A2P	IPS2540-N4NCS/A2P	IPS2540-S4NCS/A2P	IPS2540-N8NCS/A2P
NPN - NO+NC, 4-wire				
10...55 VDC - NO, 2-wire	IPS2540-S2DOS/A2P	IPS2540-N4DOS/A2P		
10...55 VDC - NC, 2-wire	IPS2540-S2DCS/A2P	IPS2540-N4DCS/A2P		
Recommended Connecting Cable	-	-	-	-

Inductive Proximity Switches

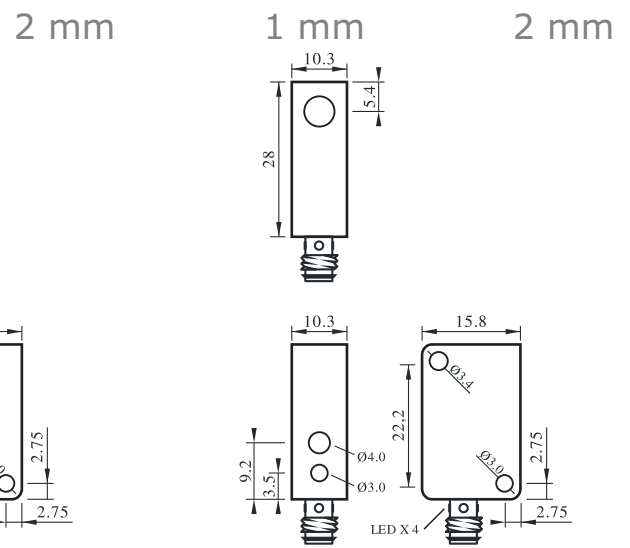
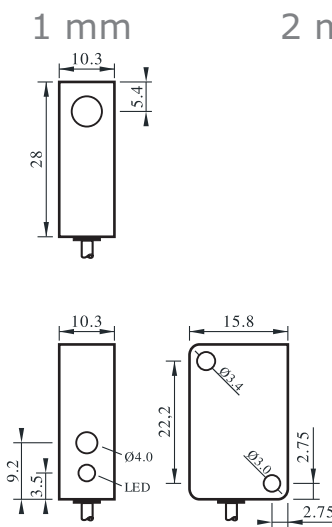
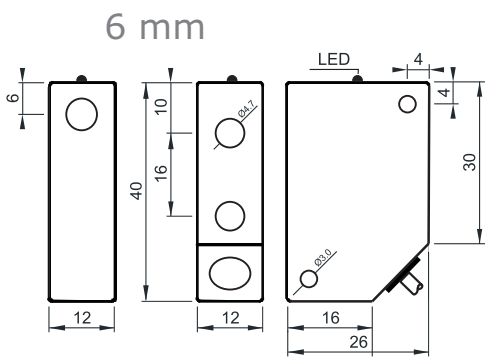
25x40



16x28

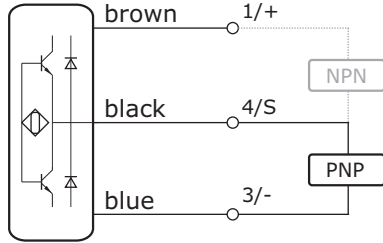


16x28

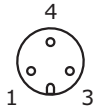


25 x 40 x 12 mm	16 x 28 x 10 mm	16 x 28 x 10 mm	16 x 28 x 10 mm	16 x 28 x 10 mm
6 mm - Shielded	1 mm - Shielded	2 mm - Unshielded	1 mm - Shielded	2 mm - Unshielded
10...30 VDC, 3-wire built-in < 8 mA 200 mA built-in - self resetting < 1.5 V @ 200 mA 800 Hz < 1 % (Sn) 3...15 % -25...75 °C IP67 PBT PBT High-Flex PVC, 2m Integrated	10...30 VDC, 3-wire built-in < 8 mA 200 mA built-in - self resetting < 1.5 V @ 200 mA 2000 Hz < 1 % (Sn) 3...15 % -25...75 °C IP67 PBT PBT High-Flex PVC, 2m Integrated	10...30 VDC, 3-wire built-in < 8 mA 200 mA built-in - self resetting < 1.5 V @ 200 mA 2000 Hz < 1 % (Sn) 3...15 % -25...75 °C IP67 PBT PBT High-Flex PVC, 2m Integrated	10...30 VDC, 3-wire built-in < 8 mA 200 mA built-in - self resetting < 1.5 V @ 200 mA 2000 Hz < 1 % (Sn) 3...15 % -25...75 °C IP67 PBT PBT Connector M8, 3-pole Integrated	10...30 VDC, 3-wire built-in < 8 mA 200 mA built-in - self resetting < 1.5 V @ 200 mA 2000 Hz < 1 % (Sn) 3...15 % -25...75 °C IP67 PBT PBT Connector M8, 3-pole Integrated
IPS2540-S6POS/A2P IPS2540-S6PCS/A2P	IPS1628-S1POS/A2P IPS1628-S1PCS/A2P	IPS1628-N2POS/A2P IPS1628-N2PCS/A2P	IPS1628-S1POS/M8 IPS1628-S1PCS/M8	IPS1628-N2POS/M8 IPS1628-N2PCS/M8
IPS2540-S6NOS/A2P IPS2540-S6NCS/A2P	IPS1628-S1NOS/A2P IPS1628-S12NCS/A2P	IPS1628-N2NOS/A2P IPS1628-N2NCS/A2P	IPS1628-S1NOS/M8 IPS1628-S1NCS/M8	IPS1628-N24NOS/M8 IPS1628-N2NCS/M8
-	-	-	M8/3...	M8/3...

Output Schematics



Connector M8



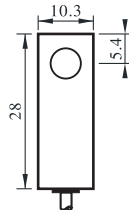
16x28



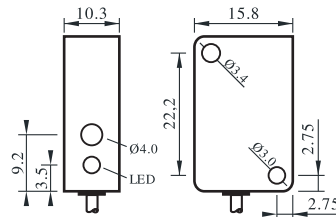
16x28



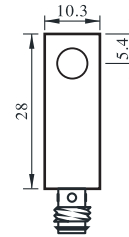
2 mm



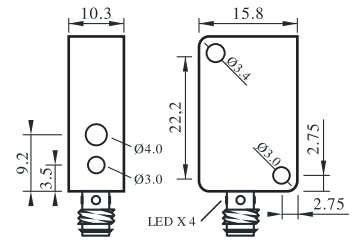
4 mm



2 mm



4 mm



SPECIFICATIONS

	16 x 28 x 10 mm	16 x 28 x 10 mm	16 x 28 x 10 mm	16 x 28 x 10 mm
Sensing Distance	2 mm - Shielded	4 mm - Unshielded	3 mm - Shielded	6 mm - Unshielded
Operating Voltage	10...30 VDC, 3-wire	10...30 VDC, 3-wire	10...30 VDC, 3-wire	10...30 VDC, 3-wire
Reverse Polarity Protection	built-in	built-in	built-in	built-in
Current Consumption	< 8 mA	< 8 mA	< 8 mA	< 8 mA
Current Load Capability	200 mA	200 mA	200 mA	200 mA
Short Circuit Protection	built-in - self resetting	built-in - self resetting	built-in - self resetting	built-in - self resetting
Voltage Drop	< 1.5 V @ 200 mA	< 1.5 V @ 200 mA	< 1.5 V @ 200 mA	< 1.5 V @ 200 mA
Switching Frequency	2000 Hz	1000 Hz	2000 Hz	1000 Hz
Repeatability	< 1 % (Sn)	< 1 % (Sn)	< 1 % (Sn)	< 1 % (Sn)
Hysteresis	3...15 %	3...15 %	3...15 %	3...15 %
Operating Temperature	-25...75 °C	-25...75 °C	-25...75 °C	-25...75 °C
Protection Class	IP67	IP67	IP67	IP67
Sensing Head	PBT	PBT	PBT	PBT
Housing Material	PBT	PBT	PBT	PBT
Connection	High-Flex PVC, 2m	High-Flex PVC, 2m	Connector M8, 3-pole	Connector M8, 3-pole
Output Indicator	Integrated	Integrated	Integrated	Integrated

Article Code

PNP - NO, 3-wire	IPS1628-S2POS/A2P	IPS1628-N4POS/A2P	IPS1628-S2POS/M8	IPS1628-N4POS/M8
PNP - NC, 3-wire	IPS1628-S2PCS/A2P	IPS1628-N4PCS/A2P	IPS1628-S2PCS/M8	IPS1628-N4PCS/M8
PNP - NO+NC, 4-wire				
NPN - NO, 3-wire	IPS1628-S2NOS/A2P	IPS1628-N4NOS/A2P	IPS1628-S2NOS/M8	IPS1628-N4NOS/M8
NPN - NC, 3-wire	IPS1628-S2NCS/A2P	IPS1628-N4NCS/A2P	IPS1628-S2NCS/M8	IPS1628-N4NCS/M8
NPN - NO+NC, 4-wire				
10...55 VDC - NO, 2-wire				
10...55 VDC - NC, 2-wire				
Recommended Connecting Cable	-	-	M8/3...	M8/3...

Inductive Proximity Switches

16x28



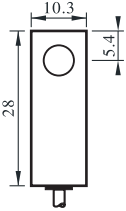
16x28



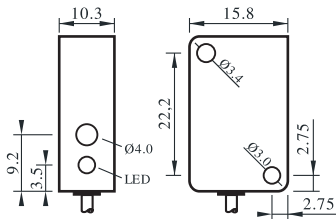
16x28



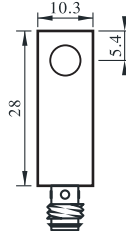
3 mm



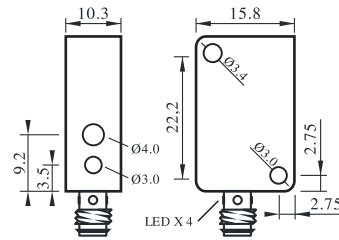
6 mm



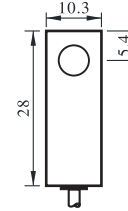
3 mm



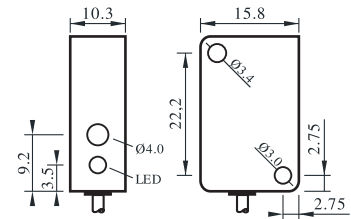
6 mm



1 mm



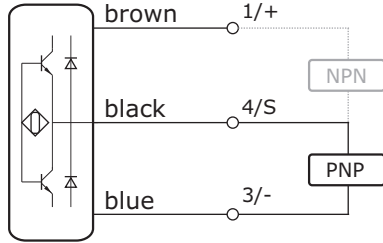
2 mm



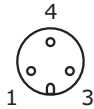
16 x 28 x 10 mm	16 x 28 x 10 mm	16 x 28 x 10 mm	16 x 28 x 10 mm	16 x 28 x 10 mm	16 x 28 x 10 mm
3 mm - Shielded	6 mm - Unshielded	3 mm - Shielded	6 mm - Unshielded	1 mm - Shielded	2 mm - Unshielded
10...30 VDC, 3-wire built-in	10...30 VDC, 3-wire built-in	10...30 VDC, 3-wire built-in	10...30 VDC, 3-wire built-in	10...30 VDC, 3-wire built-in	10...30 VDC, 3-wire built-in
< 8 mA	< 8 mA	< 8 mA	< 8 mA	< 8 mA	< 8 mA
200 mA	200 mA	200 mA	200 mA	200 mA	200 mA
built-in - self resetting	built-in - self resetting	built-in - self resetting	built-in - self resetting	built-in - self resetting	built-in - self resetting
< 1.5 V @ 200 mA	< 1.5 V @ 200 mA	< 1.5 V @ 200 mA	< 1.5 V @ 200 mA	< 1.5 V @ 200 mA	< 1.5 V @ 200 mA
1000 Hz	2000 Hz	1000 Hz	500 Hz	2000 Hz	2000 Hz
< 1 % (Sn)	< 1 % (Sn)	< 1 % (Sn)	< 1 % (Sn)	< 1 % (Sn)	< 1 % (Sn)
3...15 %	3...15 %	3...15 %	3...15 %	3...15 %	3...15 %
-25...75 °C	-25...75 °C	-25...75 °C	-25...75 °C	-25...75 °C	-25...75 °C
IP67	IP67	IP67	IP67	IP67	IP67
PBT	PBT	PBT	PBT	PBT	PBT
PBT	PBT	PBT	PBT	PBT	PBT
High-Flex PVC, 2m Integrated	High-Flex PVC, 2m Integrated	Connector M8, 3-pole Integrated	Connector M8, 3-pole Integrated	High-Flex PVC, 2m Integrated	High-Flex PVC, 2m Integrated
IPS1628-S3POS/A2P	IPS1628-N6POS/A2P	IPS1628-S3POS/M8	IPS1628-N6POS/M8	IPS1628-S1POS/A2P	IPS1628-N2POS/A2P
IPS1628-S3PCS/A2P	IPS1628-N6PCS/A2P	IPS1628-S3PCS/M8	IPS1628-N6PCS/M8	IPS1628-S1PCS/A2P	IPS1628-N2PCS/A2P
IPS1628-S3NOS/A2P	IPS1628-N6NOS/A2P	IPS1628-S3NOS/M8	IPS1628-N6NOS/M8	IPS1628-S1NOS/A2P	IPS1628-N2NOS/A2P
IPS1628-S3NCS/A2P	IPS1628-N6NCS/A2P	IPS1628-S3NCS/M8	IPS1628-N6NCS/M8	IPS1628-S12NCS/A2P	IPS1628-N2NCS/A2P
-	-	M8/3...	M8/3...	-	-

Inductive Proximity Switches

Output Schematics



Connector M8



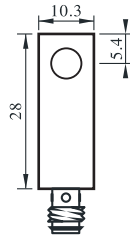
16x28



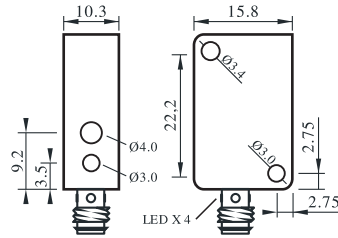
16x28



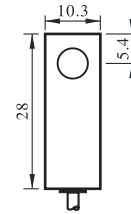
1 mm



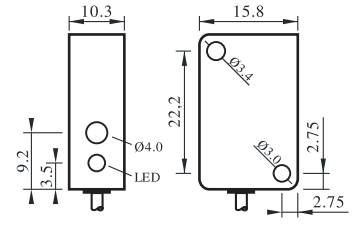
2 mm



2 mm



4 mm



SPECIFICATIONS

	16 x 28 x 10 mm	16 x 28 x 10 mm	16 x 28 x 10 mm	16 x 28 x 10 mm
Sensing Distance	1 mm - Shielded	2 mm - Unshielded	2 mm - Shielded	4 mm - Unshielded
Operating Voltage	10...30 VDC, 3-wire	10...30 VDC, 3-wire	10...30 VDC, 3-wire	10...30 VDC, 3-wire
Reverse Polarity Protection	built-in	built-in	built-in	built-in
Current Consumption	< 8 mA	< 8 mA	< 8 mA	< 8 mA
Current Load Capability	200 mA	200 mA	200 mA	200 mA
Short Circuit Protection	built-in - self resetting	built-in - self resetting	built-in - self resetting	built-in - self resetting
Voltage Drop	< 1.5 V @ 200 mA	< 1.5 V @ 200 mA	< 1.5 V @ 200 mA	< 1.5 V @ 200 mA
Switching Frequency	2000 Hz	2000 Hz	2000 Hz	1000 Hz
Repeatability	< 1 % (Sn)	< 1 % (Sn)	< 1 % (Sn)	< 1 % (Sn)
Hysteresis	3...15 %	3...15 %	3...15 %	3...15 %
Operating Temperature	-25...75 °C	-25...75 °C	-25...75 °C	-25...75 °C
Protection Class	IP67	IP67	IP67	IP67
Sensing Head	PBT	PBT	PBT	PBT
Housing Material	PBT	PBT	PBT	PBT
Connection	Connector M8, 3-pole	Connector M8, 3-pole	High-Flex PVC, 2m	High-Flex PVC, 2m
Output Indicator	Integrated	Integrated	Integrated	Integrated
Article Code				
PNP - NO, 3-wire	IPS1628-S1POS/M8	IPS1628-N2POS/M8	IPS1628-S2POS/A2P	IPS1628-N4POS/A2P
PNP - NC, 3-wire	IPS1628-S1PCS/M8	IPS1628-N2PCS/M8	IPS1628-S2PCS/A2P	IPS1628-N4PCS/A2P
PNP - NO+NC, 4-wire				
NPN - NO, 3-wire	IPS1628-S1NOS/M8	IPS1628-N24NOS/M8	IPS1628-S2NOS/A2P	IPS1628-N4NOS/A2P
NPN - NC, 3-wire	IPS1628-S1NCS/M8	IPS1628-N2NCS/M8	IPS1628-S2NCS/A2P	IPS1628-N4NCS/A2P
NPN - NO+NC, 4-wire				
10...55 VDC - NO, 2-wire				
10...55 VDC - NC, 2-wire				
Recommended Connecting Cable	M8/3...	M8/3...	-	-

Inductive Proximity Switches

16x28

16x28

16x28



2 mm

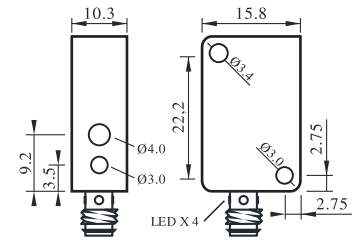
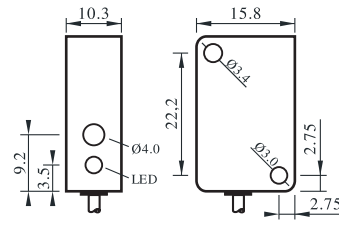
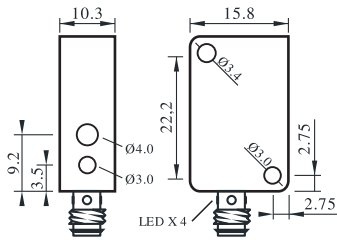
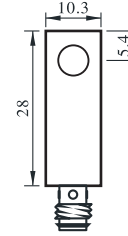
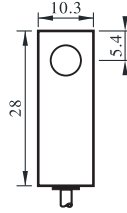
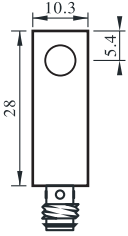
4 mm

3 mm

6 mm

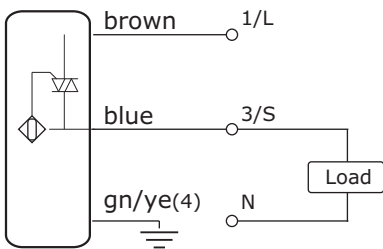
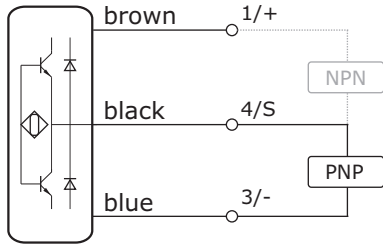
3 mm

6 mm

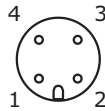


16 x 28 x 10 mm	16 x 28 x 10 mm	16 x 28 x 10 mm	16 x 28 x 10 mm	16 x 28 x 10 mm	16 x 28 x 10 mm
3 mm - Shielded	6 mm - Unshielded	3 mm - Shielded	6 mm - Unshielded	3 mm - Shielded	6 mm - Unshielded
10...30 VDC, 3-wire built-in	10...30 VDC, 3-wire built-in	10...30 VDC, 3-wire built-in	10...30 VDC, 3-wire built-in	10...30 VDC, 3-wire built-in	10...30 VDC, 3-wire built-in
< 8 mA	< 8 mA	< 8 mA	< 8 mA	< 8 mA	< 8 mA
200 mA	200 mA	200 mA	200 mA	200 mA	200 mA
built-in - self resetting	built-in - self resetting	built-in - self resetting	built-in - self resetting	built-in - self resetting	built-in - self resetting
< 1.5 V @ 200 mA	< 1.5 V @ 200 mA	< 1.5 V @ 200 mA	< 1.5 V @ 200 mA	< 1.5 V @ 200 mA	< 1.5 V @ 200 mA
2000 Hz	1000 Hz	1000 Hz	500 Hz	1000 Hz	500 Hz
< 1 % (Sn)	< 1 % (Sn)	< 1 % (Sn)	< 1 % (Sn)	< 1 % (Sn)	< 1 % (Sn)
3...15 %	3...15 %	3...15 %	3...15 %	3...15 %	3...15 %
-25...75 °C	-25...75 °C	-25...75 °C	-25...75 °C	-25...75 °C	-25...75 °C
IP67	IP67	IP67	IP67	IP67	IP67
PBT	PBT	PBT	PBT	PBT	PBT
PBT	PBT	PBT	PBT	PBT	PBT
Connector M8, 3-pole Integrated	Connector M8, 3-pole Integrated	High-Flex PVC, 2m Integrated	High-Flex PVC, 2m Integrated	Connector M8, 3-pole Integrated	Connector M8, 3-pole Integrated
IPS1628-S2POS/M8	IPS1628-N4POS/M8	IPS1628-S3POS/A2P	IPS1628-N6POS/A2P	IPS1628-S3POS/M8	IPS1628-N6POS/M8
IPS1628-S2PCS/M8	IPS1628-N4PCS/M8	IPS1628-S3PCS/A2P	IPS1628-N6PCS/A2P	IPS1628-S3PCS/M8	IPS1628-N6PCS/M8
IPS1628-S2NOS/M8	IPS1628-N4NOS/M8	IPS1628-S3NOS/A2P	IPS1628-N6NOS/A2P	IPS1628-S3NOS/M8	IPS1628-N6NOS/M8
IPS1628-S2NCS/M8	IPS1628-N4NCS/M8	IPS1628-S3NCS/A2P	IPS1628-N6NCS/A2P	IPS1628-S3NCS/M8	IPS1628-N6NCS/M8
M8/3...	M8/3...	-	-	M8/3...	M8/3...

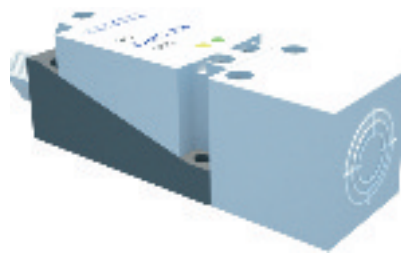
Output Schematics



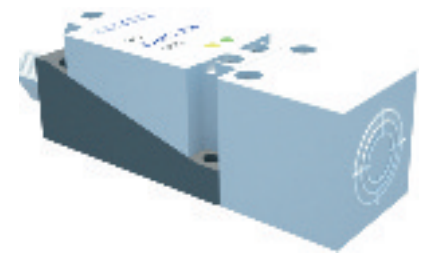
Connector M12



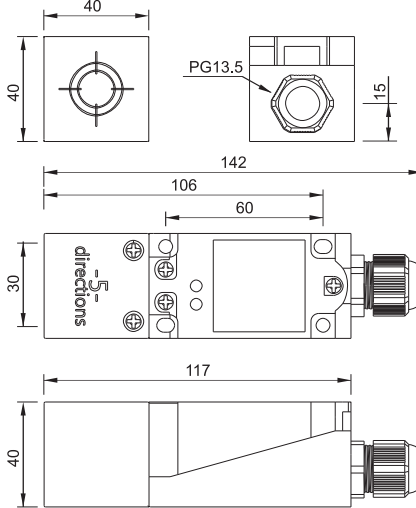
40x40



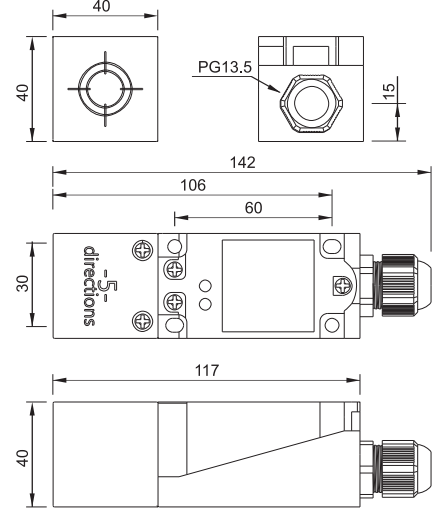
40x40



15 mm



20 mm



SPECIFICATIONS

	40x40 mm	40x40 mm	40x40 mm	40x40 mm
Sensing Distance	15 mm - Shielded	15 mm - Shielded	20 mm - Semi	20 mm - Semi
Operating Voltage	10... 30 10... 55 VDC	20... 250 VAC, 2-wire	10... 30 10... 55 VDC	20... 250 VAC, 2-wire
Reverse Polarity Protection	built-in	not required	built-in	not required
Idle Current	< 11 mA	< 2 mA (Idle Current)	< 11 mA	< 2 mA (Idle Current)
Current Load Capability	200 mA	400 mA	200 mA	400 mA
Short Circuit Protection	built-in - self resetting	built-in - self resetting	built-in - self resetting	built-in - self resetting
Voltage Drop	< 2 V @ 200 mA	< 8 V @ 400 mA	< 2 V @ 200 mA	< 8 V @ 400 mA
Switching Frequency	120 Hz	25 Hz	120 Hz	25 Hz
Repeatability	< 1 % (Sn)	< 1 % (Sn)	< 1 % (Sn)	< 1 % (Sn)
Hysteresis	3...15 %	3...15 %	3...15 %	3...15 %
Operating Temperature	-25...75 °C	-25...75 °C	-25...75 °C	-25...75 °C
Protection Class	IP67	IP67	IP67	IP67
Sensing Face Material	PBT	PBT	PBT	PBT
Housing Material	PBT	PBT	PBT	PBT
Connection	PG13.5, Terminal	PG13.5, Terminal	PG13.5, Terminal	PG13.5, Terminal
Output Indicator	Integrated	Integrated	Integrated	Integrated
Article Code				
3-wire NO+NC, PNP	IPS40-S15PCOL/PG13		IPS40-S20PCOL/PG13	
3-wire NO+NC, NPN	IPS40-S15NCOL/PG13		IPS40-S20NCOL/PG13	
2-wire NO, 10... 55 VDC	IPS40-S15DOL/PG13		IPS40-S20DOL/PG13	
2-wire NC, 10... 55 VDC	IPS40-S15DCL/PG13		IPS40-S20DCL/PG13	
2-wire NO, 20... 250 VAC		IPS40-S15AOL/PG13		IPS40-S20AOL/PG13
2-wire NC, 20... 250 VAC		IPS40-S15ACL/PG13		IPS40-S20ACL/PG13

Recommended Connecting Cable

-

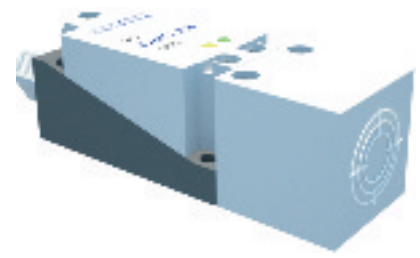
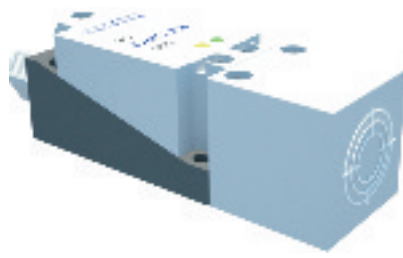
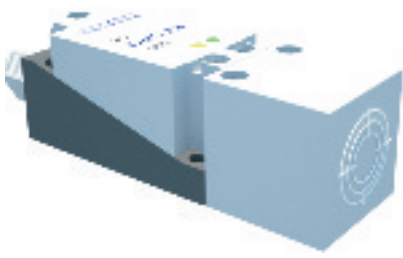
Inductive Proximity Switches

10...30 VDC | 20... 250 VAC

40x40

40x40

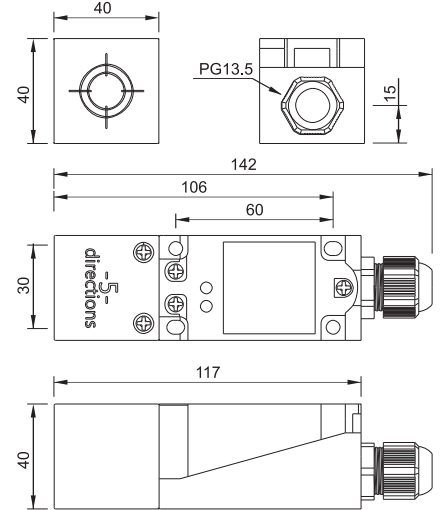
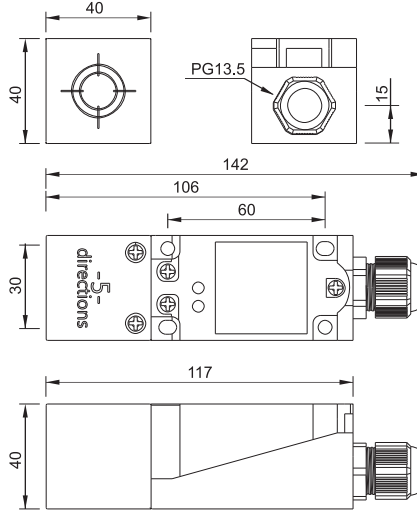
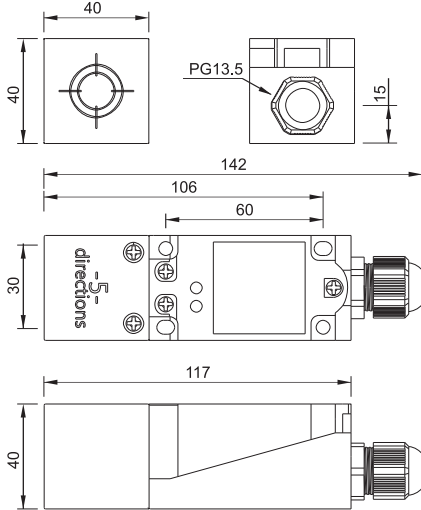
40x40



25 mm

30 mm

40 mm



40x40 mm		40x40 mm		40x40 mm		40x40 mm	
25 mm - Shielded		30 mm - Unshielded		30 mm - Unshielded		40 mm - Unshielded	
10... 30 10... 55 VDC		10... 30 10... 55 VDC		20... 250 VAC, 2-wire		10... 30 10... 55 VDC	
built-in		built-in		built-in		built-in	
< 11 mA		< 11 mA		< 2 mA (Idle Current)		< 11 mA	
200 mA		200 mA		400 mA		200 mA	
built-in - self resetting		built-in - self resetting		built-in - self resetting		built-in - self resetting	
< 2 V @ 200 mA		< 2 V @ 200 mA		< 8 V @ 400 mA		< 2 V @ 200 mA	
120 Hz		120 Hz		25 Hz		120 Hz	
< 1 % (Sn)		< 1 % (Sn)		< 1 % (Sn)		< 1 % (Sn)	
3...15 %		3...15 %		3...15 %		3...15 %	
-25...75 °C		-25...75 °C		-25...75 °C		-25...75 °C	
IP67		IP67		IP67		IP67	
PBT		PBT		PBT		PBT	
PBT		PBT		PBT		PBT	
PG13.5, Terminal		PG13.5, Terminal		PG13.5, Terminal		PG13.5, Terminal	
Integrated		Integrated		Integrated		Integrated	
IPS40-S25PCOL/PG13		IPS40-N30PCOL/PG13		IPS40-N30AOL/PG13		IPS40-N40PCOL/PG13	
IPS40-S25NCOL/PG13		IPS40-N30NCOL/PG13		IPS40-N30ACL/PG13		IPS40-N40NCOL/PG13	
		IPS40-N30DOL/PG13		IPS40-N30DCL/PG13			
		IPS40-N30DCL/PG13					

INDUCTIVE SENSORS

PNP / NPN
2-wire DC
2-wire AC
NAMUR
Temperature Proof
Pressure Proof
Analog Voltage

SHIELDED
UNSHIELDED

0.6 mm 0.8 mm 1.0 mm 1.5 mm 2.0 mm 3.0 mm 4.0 mm 5.0 mm 6.0 mm 8.0 mm 10 mm 12 mm 15 mm 16 mm 20 mm 22 mm 25 mm 30 mm 40 mm 50 mm

