

XECRO
most reliable sensor technology



Most Reliable Sensor Technology

- *electric field*
- *inductive*
- *capacitive*
- *optical*



Touch Interfaces and Indicators 4

switch and indicator at once
 touch activated - no tiring
 no wear - 100% solid state design
 vandalism proof - protection class IK09
 water & oil tight construction
 very bright optics with 360° micro mirrors

Inductive Sensors 18

miniature diameters Ø3, M4, ...
 shortest housings >18mm<
 full stainless steel housings
 extreme sensing distances
 high pressure proof 500 bar
 high temperature proof 150°C

Inductive Ring-Sensors 80

diameter Ø6 - Ø21
 static operation
 high sensitivity
 build-in pulse stretching of 100 ms
 reliable metal connector

Capacitive Sensors 82

small diameters Ø6.5, M8, ...
 adjustable sensing distance
 reliable metal housings
 high sensing distances

Fork-Light Barriers 88

complete range of fork openings
 infrared, collimated red-light
 laser version with same dimensions
 object detection down to Ø0.03mm
 reliable metal housings

Tool Center Devices 96

completely aligned x-y-unit
 two free domed laser barriers
 precision high-speed laser beams

Frame-Light Barriers 98

wide range of active areas
 static / dynamic mode selectable
 dirt immune detection modes
 reliable metal housings
 build-in protection for optics

Light-Barriers, Dirt Immune 106

impressively alignment tolerant
 fully embedded devices in Ø10mm and M12
 temperature resistant up to 250°C / 482°F

Optoelectronic, Standard 108

Diffuse Reflective
 Retro-Reflective, Transparent Object Detection
 Retro-Reflective
 Through Beam

Connecting Cables M8, M12 116

IP67, PUR quality

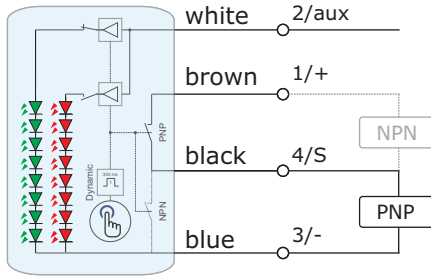
Universal Time Modules 117

Unlimited Timing Options
 Type Conversions, PNP <-> NPN, , NC <-> NO

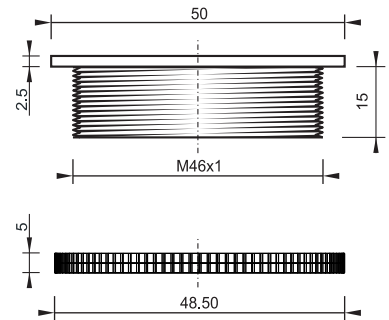
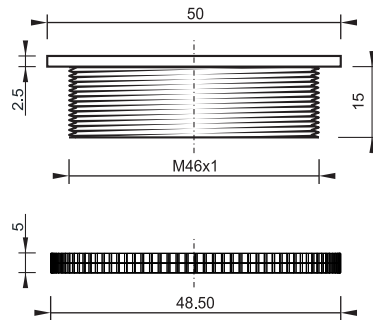
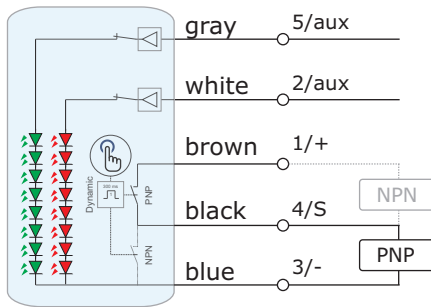
Dynamic

Static

Schematic 1



Schematic 2



SPECIFICATIONS

	Dynamic Operation	Static Operation
Operating Voltage	14... 30 VDC	14... 30 VDC
Current Consumption	< 70 mA	< 70 mA
Output Current, PNP	200 mA, short-circuit-proof	200 mA, short-circuit-proof
Voltage Drop, PNP	2.5V @200mA	2.5V @200mA
Output Current, Relais	30 mA @ 24 VAC, short-circuit-proof	30 mA @ 24 VAC, short-circuit-proof
Voltage Drop, Relais	0.5V @30mA	0.5V @30mA
Auxiliary Input	> 9 VDC, 1 mA @ 30 V	> 9 VDC, 1 mA @ 30 V
Impulse Duration	300 ms	Continuous
Number of Operations	Unlimited	Unlimited
Internal Schematic	1 or 2 are possible selections - replace (*)	1 or 2 are possible selections - replace (*)
Operating Temperature	-40... +55 °C -40 °F... +131 °F	-40... +55 °C -40 °F... +131 °F
Front Window	Polycarbonate	Polycarbonate
Housing Material	Stainless Steel	Stainless Steel
Protection Class	Front: IP 68, Back: IP67, IK09	Front: IP 68, Back: IP67, IK09
Connected	See next Pages	See next Pages

Article Code

PNP, Normally Open	MO46D T(*)VPOGR	MO46S T(*)VPOGR
PNP, Normally Closed	MO46D T(*)VPCGR	MO46S T(*)VPCGR
NPN, Normally Open	MO46D T(*)VNOGR	MO46S T(*)VNOGR
NPN, Normally Closed	MO46D T(*)VNCGR	MO46S T(*)VNCGR
Relay, ON REQUEST	please call	please call

Symbol Specification Code

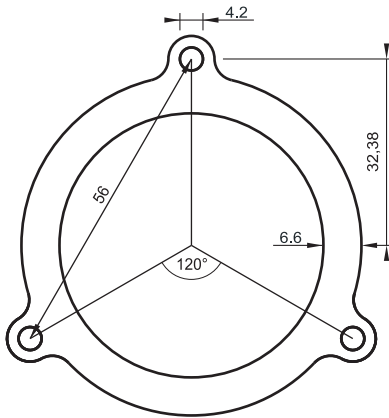
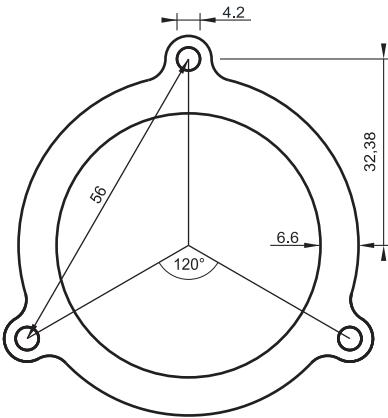
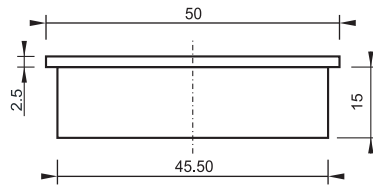
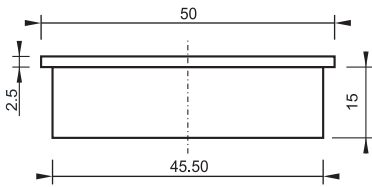
See next Pages

See next Pages

DuraTouch® - Machine Operation Touch Interfaces and Indicators

Dynamic

Static



Touch Operation

acting without tiring

Optical Feedback

clearly visible - very bright

Shock Resistant

vandal-proof construction

Solid State Design

absolutely no moving parts

100% Oil-Tight

completely sealed enclosure

Wide-Angle Optics

LEDs with 360° micro mirrors

Constant Brightness

varying voltage has no effect

Versatile Concept

we make custom configurations

Dynamic Operation

14... 30 VDC
 < 70 mA
 200 mA, short-circuit-proof
 2.5V @200mA
 30 mA @ 24 VAC, short-circuit-proof
 0.5V @30mA
 > 9 VDC, 1 mA @ 30 V
 300 ms
 Unlimited
 1 or 2 are possible selections - replace (*)
 -40... +55 °C | -40 °F... +131 °F
 Polycarbonate
 Stainless Steel
 Front: IP 68, Back: IP67, IK09
 See next Pages

Static Operation

14... 30 VDC
 < 70 mA
 200 mA, short-circuit-proof
 2.5V @200mA
 30 mA @ 24 VAC, short-circuit-proof
 0.5V @30mA
 > 9 VDC, 1 mA @ 30 V
 Continuous
 Unlimited
 1 or 2 are possible selections - replace (*)
 -40... +55 °C | -40 °F... +131 °F
 Polycarbonate
 Stainless Steel
 Front: IP 68, Back: IP67, IK09
 See next Pages

MO46D B(*)VPOGR
 MO46D B(*)VPCGR
 MO46D B(*)VNOGR
 MO46D B(*)VNCGR
 please call

MO46S B(*)VPOGR
 MO46S B(*)VPCGR
 MO46S B(*)VNOGR
 MO46S B(*)VNCGR
 please call

The **DuraTouch®** switch from Xecro designs-in E Field Technology a near field effect smart circuitry to determine the presence of a conductive mass - like a human hand or finger, grounded metal or liquid.

As soon as a hand or finger touches the surface, the switch detects the presence and instantly indicates this event.

Due to the physical non-pressure technology, the switches can be operated without fatigue. Their solid-state design with no moving parts inside allows unlimited operations with no wear. They are not affected by loose clothing, debris etc, objects which accidentally activate optical sensors type.

DuraTouch® switches with Dynamic operation are typical start-buttons for machine operation where a single impulse is required to start a process. DuraTouch® switches with Static operation activate their output as long as the operator touches them. They're used where a longer signal with no tiring is required.

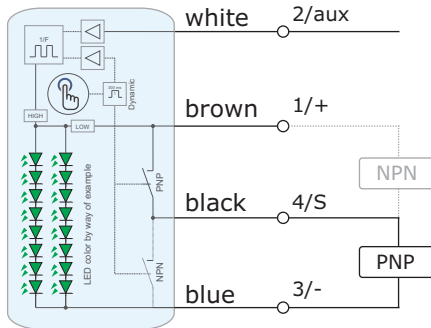
Schematic 1 turns on the green LEDs at full brightness as soon as the device gets @ powered. When the DuraTouch is operated, it turns off the green segment and activates the red LEDs; the dynamic version for 300ms only and returns then to the prior state.

Schematic 2 disconnects all LEDs completely from the internal signal processing. External positive voltages at the auxiliary inputs will constantly turn on their corresponding LEDs as long as the signal is present.

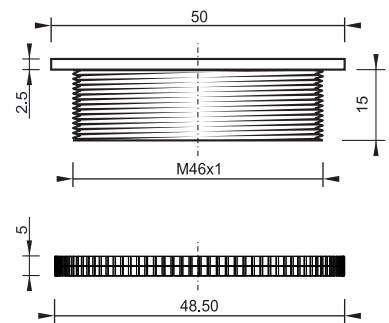
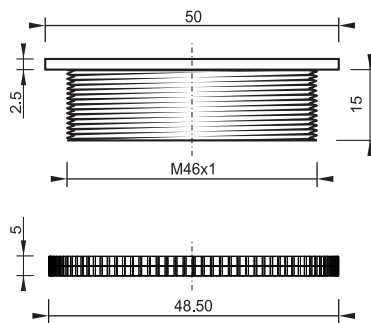
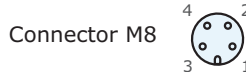
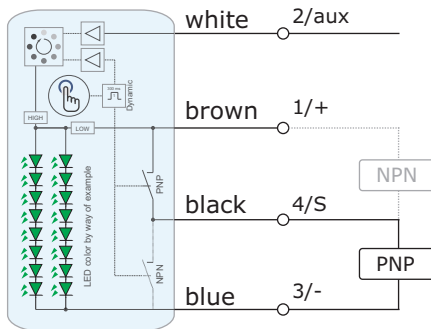
Dynamic

Static

Schematic 3



Schematic 4



SPECIFICATIONS

	Dynamic Operation	Static Operation
Operating Voltage	14... 30 VDC	14... 30 VDC
Current Consumption	< 70 mA	< 70 mA
Output Current, PNP	200 mA, short-circuit-proof	200 mA, short-circuit-proof
Voltage Drop, PNP	2.5V @200mA	2.5V @200mA
Output Current, Relais	30 mA @ 24 VAC, short-circuit-proof	30 mA @ 24 VAC, short-circuit-proof
Voltage Drop, Relais	0.5V @30mA	0.5V @30mA
Auxiliary Input	> 9 VDC, 1 mA @ 30 V	> 9 VDC, 1 mA @ 30 V
Impulse Duration	300 ms	Continuous
Number of Operations	Unlimited	Unlimited
Internal Schematic	1 or 2 are possible selections - replace (*)	1 or 2 are possible selections - replace (*)
Operating Temperature	-40... +55 °C -40 °F... +131 °F	-40... +55 °C -40 °F... +131 °F
Front Window	Polycarbonate	Polycarbonate
Housing Material	Stainless Steel	Stainless Steel
Protection Class	Front: IP 68, Back: IP67, IK09	Front: IP 68, Back: IP67, IK09
Connected	See next Pages	See next Pages

Article Code

PNP, Normally Open	MO46D T(*)VPOGG	MO46S T(*)VPORR
PNP, Normally Closed	MO46D T(*)VPCGG	MO46S T(*)VPCRR
NPN, Normally Open	MO46D T(*)VNOGG	MO46S T(*)VNORR
NPN, Normally Closed	MO46D T(*)VNCGG	MO46S T(*)VNCRR
Relay, ON REQUEST	please call	please call

Symbol Specification Code

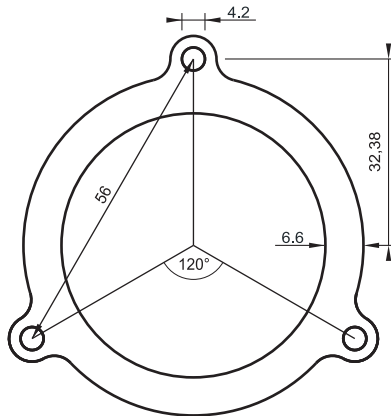
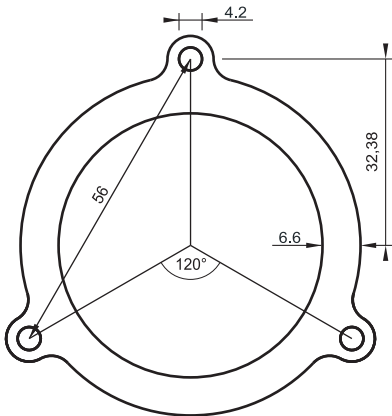
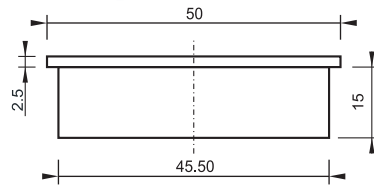
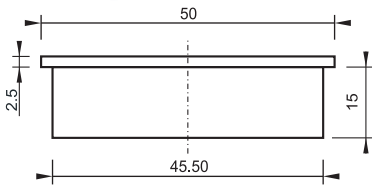
See next Pages

See next Pages

DuraTouch® - Machine Operation Touch Interfaces and Indicators

Dynamic

Static



Touch Operation

acting without tiring

Optical Feedback

clearly visible - very bright

Shock Resistant

vandal-proof construction

Solid State Design

absolutely no moving parts

100% Oil-Tight

completely sealed enclosure

Wide-Angle Optics

LEDs with 360° micro mirrors

Constant Brightness

varying voltage has no effect

Versatile Concept

we make custom configurations

Dynamic Operation

14... 30 VDC
 < 70 mA
 200 mA, short-circuit-proof
 2.5V @200mA
 30 mA @ 24 VAC, short-circuit-proof
 0.5V @30mA
 > 9 VDC, 1 mA @ 30 V
 300 ms
 Unlimited
 1 or 2 are possible selections - replace (*)
 -40... +55 °C | -40 °F... +131 °F
 Polycarbonate
 Stainless Steel
 Front: IP 68, Back: IP67, IK09
 See next Pages

Static Operation

14... 30 VDC
 < 70 mA
 200 mA, short-circuit-proof
 2.5V @200mA
 30 mA @ 24 VAC, short-circuit-proof
 0.5V @30mA
 > 9 VDC, 1 mA @ 30 V
 Continuous
 Unlimited
 1 or 2 are possible selections - replace (*)
 -40... +55 °C | -40 °F... +131 °F
 Polycarbonate
 Stainless Steel
 Front: IP 68, Back: IP67, IK09
 See next Pages

MO46D B(*)VPOBB
 MO46D B(*)VPCBB
 MO46D B(*)VNOBB
 MO46D B(*)VNCBB
 please call

MO46S B(*)VPORR
 MO46S B(*)VPCRR
 MO46S B(*)VNORR
 MO46S B(*)VNCRR
 please call

The **DuraTouch®** switch from Xecro designs-in E Field Technology a near field effect smart circuitry to determine the presence of a conductive mass - like a human hand or finger, grounded metal or liquid.

As soon as a hand or finger touches the surface, the switch detects the presence and instantly indicates this event.

Due to the physical non-pressure technology, the switches can be operated without fatigue. Their solid-state design with no moving parts inside allows unlimited operations with no wear. They are not affected by loose clothing, debris etc, objects which accidentally activate optical sensors type.

DuraTouch® switches with Dynamic operation are typical start-buttons for machine operation where a single impulse is required to start a process. DuraTouch® switches with Static operation activate their output as long as the operator touches them. They're used where a longer signal with no tiring is required.

Schematic 3 keeps all LEDs turned on at low intensity. When the DuraTouch® is operated, it emits a single bright impulse (Dynamic) or constantly blinks brightly at ~1 Hz (Static).

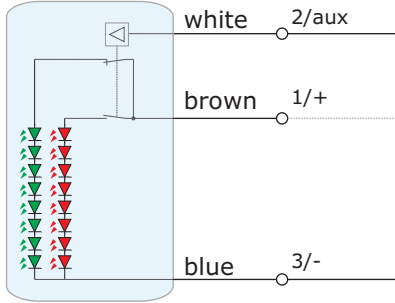
Schematic 4 keeps all LEDs turned on at low intensity. When the DuraTouch® is operated, it flickers at high brightness for 300ms (Dynamic) or as long as the trigger is present (Static).

A positive voltage level at the **auxiliary** input causes the DuraTouch® to blink/flicker. AUX is independent from the working principle of the switch and therefore drives the LEDs as long as the external signal is present.

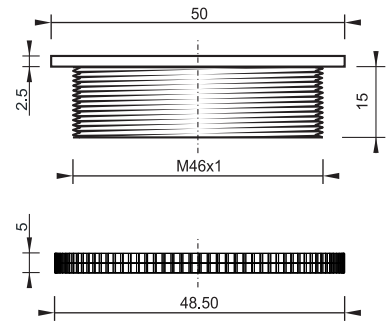
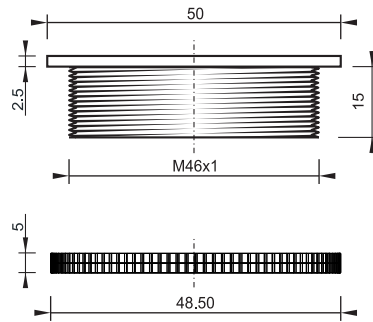
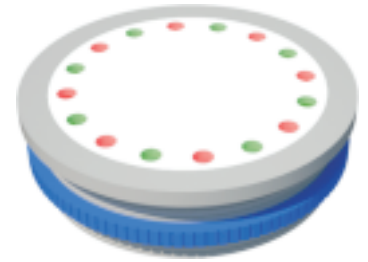
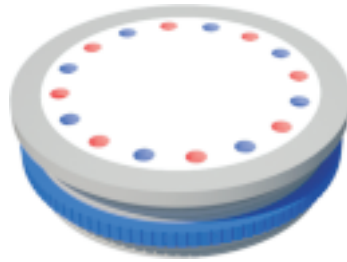
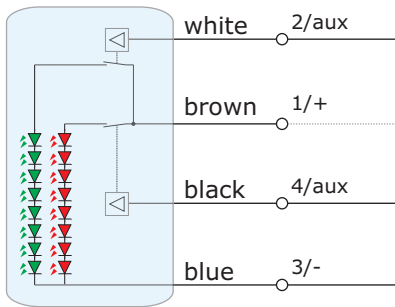
Dynamic

Static

Schematic 1



Schematic 2



SPECIFICATIONS

Operating Voltage
Current Consumption
Auxiliary Input Threshold
Auxiliary Input Current
Blinking Frequency

Constant Light

14... 30 VDC
< 70 mA
> 9 VDC
1 mA @ 30 V
-

Constant Light

14... 30 VDC
< 70 mA
> 9 VDC
1 mA @ 30 V
-

Operating Temperature
Front Window
Housing Material
Mechanical Protection
Protection Class

-40... +55 °C | -40 °F... +131 °F
Polycarbonate
Stainless Steel
IK09
Front: IP 68, Back: IP67

-40... +55 °C | -40 °F... +131 °F
Polycarbonate
Stainless Steel
IK09
Front: IP 68, Back: IP67

Article Code

50% Blue (470 nm), 50% RED (624 nm)
50% Green (530 nm), 50% RED (624 nm)
50% Blue (470 nm), 50% Green (530 nm)
50% White, 50% RED (624 nm)

SLH46 T1-VBR/
SLH46 T1-VGR/
SLH46 T1-VBG/
SLH46 T1-VWR/

SLH46 T2-VBR/
SLH46 T2-VGR/
SLH46 T2-VBG/
SLH46 T2-VWR/

Connection
Symbol Specification Code

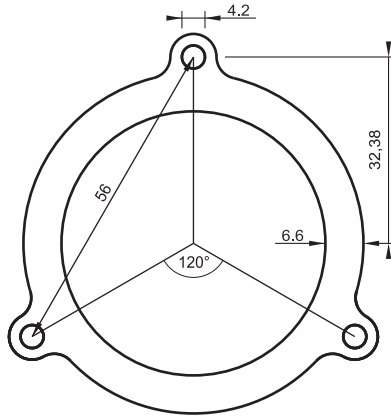
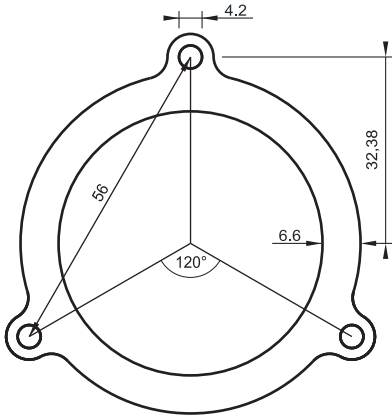
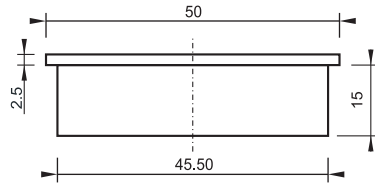
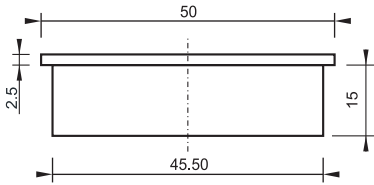
See next Pages
See next Pages

See next Pages
See next Pages

DuraTouch® - Machine Operation Dual Color LED Indicators

Dynamic

Static



Single or Dual Color

flexible illumination concept

Optical FeedBack

clearly visible - very bright

Shock Resistant

vandal-proof construction

Solid State Design

absolutely no moving parts

100% Oil-Tight

completely sealed enclosure

Wide-Angle Optics

LEDs with 360° micro mirrors

Constant Brightness

varying voltage has no effect

Versatile Concept

we make custom configurations

Constant Light

14... 30 VDC
< 70 mA
> 9 VDC
1 mA @ 30 V
-

-40... +55 °C | -40 °F... +131 °F

Polycarbonate
Stainless Steel
IK09

Front: IP 68, Back: IP67

SLH46 B1-VBR/
SLH46 B1-VGR/
SLH46 B1-VBG/
SLH46 B1-VWR/

See next Pages
See next Pages

Constant Light

14... 30 VDC
< 70 mA
> 9 VDC
1 mA @ 30 V
-

-40... +55 °C | -40 °F... +131 °F

Polycarbonate
Stainless Steel
IK09

Front: IP 68, Back: IP67

SLH46 B2-VBR/
SLH46 B2-VGR/
SLH46 B2-VBG/
SLH46 B2-VWR/

See next Pages
See next Pages

These extremely bright LED-Indicators are available with 16 ultra-bright LED of a single color or with two different alternating colors. Both versions have an auxiliary input to activate the LEDs.

Schematic 1 turns the LED on as long as the external signal is present.

Schematic 2 starts blinking with a frequency of 1 Hz as soon as the external input is active.

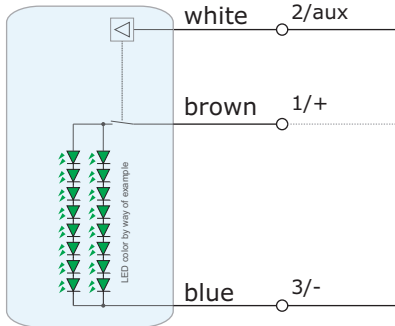
These reliable indicators fit into the same mounting holes the Ø46 mm **DuraTouch**® uses.

Each indicator additionally can be upgraded with a pictogram to point the meaning of it even more.

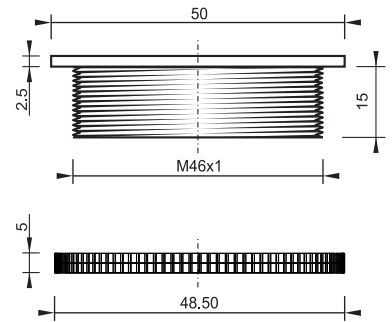
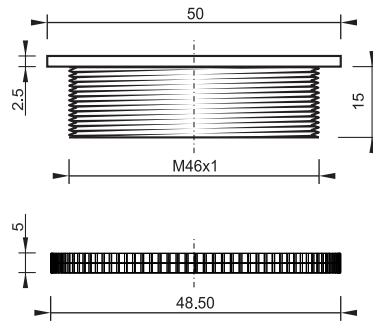
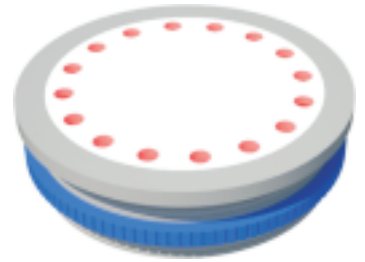
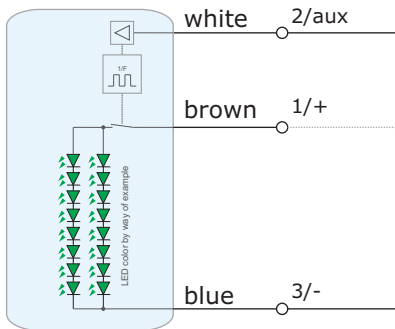
Dynamic

Static

Schematic 3



Schematic 4



SPECIFICATIONS

Operating Voltage
Current Consumption
Auxiliary Input Threshold
Auxiliary Input Current
Blinking Frequency

Constant Light

14... 30 VDC
< 70 mA
> 9 VDC
1 mA @ 30 V
-

Blinking when activated

14... 30 VDC
< 70 mA
> 9 VDC
1 mA @ 30 V
1 Hz

Operating Temperature
Front Window
Housing Material
Mechanical Protection
Protection Class

-40... +55 °C | -40 °F... +131 °F
Polycarbonate
Stainless Steel
IK09
Front: IP 68, Back: IP67

-40... +55 °C | -40 °F... +131 °F
Polycarbonate
Stainless Steel
IK09
Front: IP 68, Back: IP67

Article Code

100% RED (624 nm)
100% GREEN (530 nm)
100% YELLOW (589 nm)
100% BLUE (470 nm)
100% WHITE

SLH46 T1-VRR/
SLH46 T1-VGG/
SLH46 T1-VYY/
SLH46 T1-VBB/
SLH46 T1-VBB/

SLH46 T2-VRR-1/
SLH46 T2-VGG-1/
SLH46 T2-VYY-1/
SLH46 T2-VBB-1/
SLH46 T2-VBB-1/

Connection
Symbol Specification Code

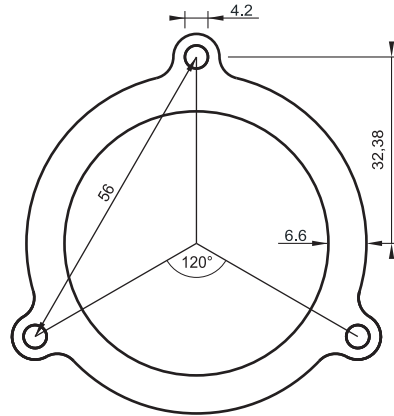
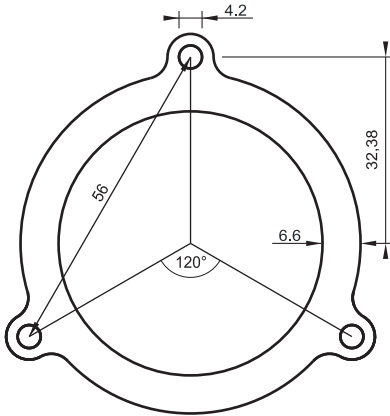
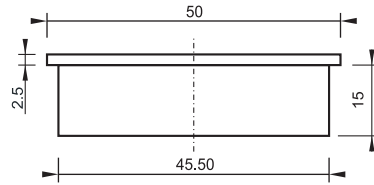
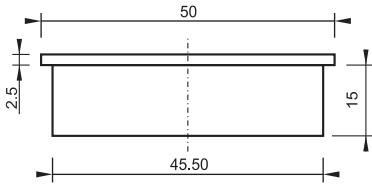
See next Pages
See next Pages

See next Pages
See next Pages

DuraTouch® - Machine Operation Single Color LED Indicators

Dynamic

Static



Single or Dual Color

flexible illumination concept

Optical FeedBack

clearly visible - very bright

Shock Resistant

vandal-proof construction

Solid State Design

absolutely no moving parts

100% Oil-Tight

completely sealed enclosure

Wide-Angle Optics

LEDs with 360° micro mirrors

Constant Brightness

varying voltage has no effect

Versatile Concept

we make custom configurations

Constant Light

14... 30 VDC
< 70 mA
> 9 VDC
1 mA @ 30 V
-

Blinking when activated

14... 30 VDC
< 70 mA
> 9 VDC
1 mA @ 30 V
1 Hz

-40... +55 °C | -40 °F... +131 °F

Polycarbonate
Stainless Steel
IK09

Front: IP 68, Back: IP67

-40... +55 °C | -40 °F... +131 °F

Polycarbonate
Stainless Steel
IK09

Front: IP 68, Back: IP67

SLH46 B1-VRR/
SLH46 B1-VGG/
SLH46 B1-VYY/
SLH46 B1-VBB/
SLH46 B1-VBB/

SLH46 B2-VRR-1/
SLH46 B2-VGG-1/
SLH46 B2-VYY-1/
SLH46 B2-VBB-1/
SLH46 B2-VBB-1/

See next Pages
See next Pages

See next Pages
See next Pages

These extremely bright LED-Indicators are available with 16 ultra-bright LED of a single color or with two different alternating colors. Both versions have an auxiliary input to activate the LEDs.

Schematic 1 turns the LED on as long as the external signal is present.

Schematic 2 starts blinking with a frequency of 1 Hz as soon as the external input is active.

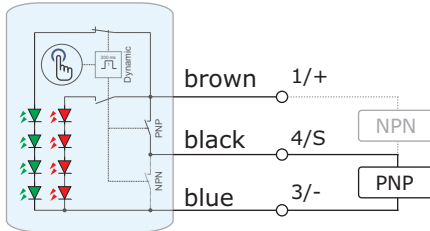
These reliable indicators fit into the same mounting holes the Ø46 mm **DuraTouch®** uses.

Each indicator additionally can be upgraded with a pictogram to point the meaning of it even more.

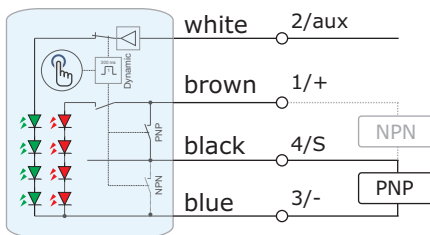
Dynamic

Static

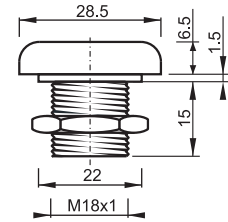
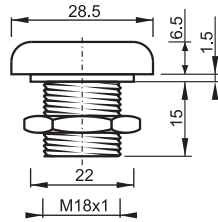
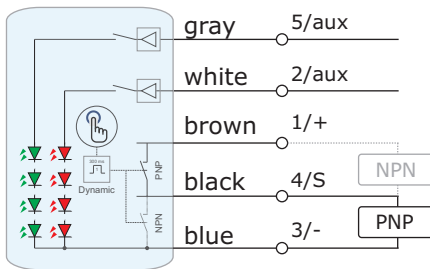
Schematic 0



Schematic 1



Schematic 2



SPECIFICATIONS

	Dynamic Operation	Static Operation
Operating Voltage	14... 30 VDC	14... 30 VDC
Current Consumption	< 30 mA	< 30 mA
PNPN, Output Current	400 mA, short-circuit-proof	400 mA, short-circuit-proof
Relay, Output Current	> 30 mA @ 24 VAC, short-circuit-proof	> 30 mA @ 24 VAC, short-circuit-proof
Voltage Drop	PNPN: 2.5V @600mA Relay:0.5V @30mA	PNPN: 2.5V @600mA Relay:0.5V @30mA
Auxiliary Input High Voltage	< 7 VDC	< 7 VDC
Auxiliary Input Current	0.5 mA @ 30 V	0.5 mA @ 30 V
Impulse Duration	300 ms	Continuous
Number of Operations	Unlimited	Unlimited
Internal Schematic	1 to 3 are possible selections - replace (*)	1 to 3 are possible selections - replace (*)
Operating Temperature	-40... +55 °C -40 °F... +131 °F	-40... +55 °C -40 °F... +131 °F
Front Window	Polycarbonate	Polycarbonate
Housing Material	Stainless Steel	Stainless Steel
Protection Class	Front: IP 68, Back: IP67, IK09	Front: IP 68, Back: IP67, IK09
Connected	See next Pages	See next Pages

Article Code

	Dynamic Operation	Static Operation
PNP, Normally Open	MO22D T(*)VPOGR	MO22S T(*)VPOGR
PNP, Normally Closed	MO22D T(*)VPCGR	MO22S T(*)VPCGR
NPN, Normally Open	MO22D T(*)VNOGR	MO22S T(*)VNOGR
NPN, Normally Closed	MO22D T(*)VNCGR	MO22S T(*)VNCGR
Relay, Normally Open (n.a. Schematic 2)	MO22D T(*)VROGR	MO22S T(*)VROGR
Relay, Normally Closed (n.a. Schematic 2)	MO22D T(*)VRCGR	MO22S T(*)VRCGR

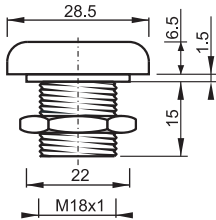
Symbol Specification Code

See next Pages

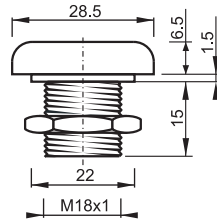
See next Pages

DuraTouch® - Machine Operation Touch Interfaces and Indicators

Toggle



Combo



Touch Operation

acting without tiring

Optical Feedback

clearly visible - homogeneous

Shock Resistant

vandal-proof construction

Solid State Design

absolutely no moving parts

100% Oil-Tight

completely sealed enclosure

Versatile Concept

pure multi-LED indicators available

Constant Brightness

varying voltage has no effect

Compatible

Siemens
Moeller

fits into standard Ø22.5mm holes

Latched Operation

14... 30 VDC
 < 30 mA
 400 mA, short-circuit-proof
 > 30 mA @ 24 VAC, short-circuit-proof
 PNP: 2.5V @600mA Relay:0.5V @30mA
 < 7 VDC
 0.5 mA @ 30 V
 Continuous
 Unlimited
 1 to 3 are possible selections - replace (*)
 -40... +55 °C | -40 °F... +131 °F
 Polycarbonate
 Stainless Steel
 Front: IP 68, Back: IP67, IK09
 See next Pages

Combined Operation

14... 30 VDC
 < 30 mA
 400 mA, short-circuit-proof
 > 30 mA @ 24 VAC, short-circuit-proof
 PNP: 2.5V @600mA Relay:0.5V @30mA
 < 7 VDC
 0.5 mA @ 30 V
 Continuous
 Unlimited
 1 to 3 are possible selections - replace (*)
 -40... +55 °C | -40 °F... +131 °F
 Polycarbonate
 Stainless Steel
 Front: IP 68, Back: IP67, IK09
 See next Pages

MO22T T(*)VPOGR
 MO22T T(*)VPCGR
 MO22T T(*)VNOGR
 MO22T T(*)VNCGR
 MO22T T(*)VROGR
 MO22T T(*)VRCGR

See next Pages

MO22C T(*)VPOGR
 MO22C T(*)VPCGR
 MO22C T(*)VNOGR
 MO22C T(*)VNCGR
 MO22C T(*)VROGR
 MO22C T(*)VRCGR

See next Pages

The **DuraTouch®** switch from Xecro designs-in E Field Technology a near field effect smart circuitry to determine the presence of a conductive mass - like a human hand or finger, grounded metal or liquid.

As soon as a hand or finger touches the surface, the switch detects the presence and instantly indicates this event.

Due to the physical non-pressure technology, the switches can be operated without fatigue. Their solid-state design with no moving parts inside allows unlimited operations with no wear. They are not affected by loose clothing, debris etc, objects which accidentally activate optical sensors type.

DuraTouch® switches with Dynamic operation are typical start-buttons for machine operation where a single impulse is required to start a process.

DuraTouch® switches with Static operation activate their output as long as the operator touches them. They're used where a longer signal with no tiring is required. This series also can **toggle** the output each time the surface is touched. **Combo** can be used as a static switch where the output is active as long as the switch is operated. A fast double touch latches the switch with permanent On-state from where it gets released by an additional touch.

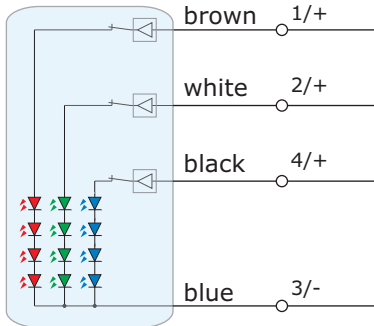
Schematic 0 turns on the green LEDs as soon as the device gets powered.

Schematic 1 turns on the green LEDs as soon as aux gets active.

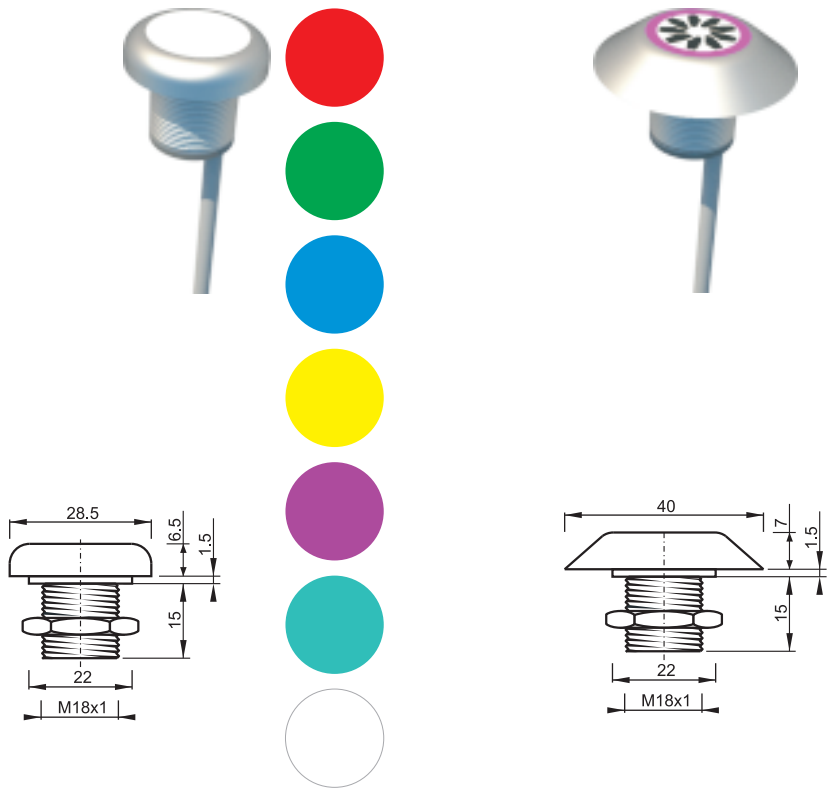
The indicated color changes from green to red as long as the output is activated.

Schematic 2 disconnects all LEDs from the internal signal processing. External positive voltages at the **auxiliary** inputs will constantly turn on their corresponding LEDs as long as the signal is present.

Schematic



- Shock Resistant**
vandal-proof construction
- 7 Different Colors**
each LED can be driven individually
- 100% Oil-Tight**
completely sealed enclosure
- Constant Brightness**
varying voltage has no effect
- Compatible** Siemens Moeller
fits into standard Ø22.5mm holes



SPECIFICATIONS

Operating Voltage
Current Consumption
Voltage Drop (Red)
Voltage Drop (Green)
Voltage Drop (Blue)

Multi-LED Standard

14... 30 VDC
~ 11 mA per string
~ 8 V
~ 14 V
~ 13 V

Multi-LED Hygienic

14... 30 VDC
~ 11 mA per string
~ 8 V
~ 14 V
~ 13 V

Operating Temperature
Front Window
Housing Material
Protection Class
Connected

-40... +55 °C | -40 °F... +131 °F
Polycarbonate
Stainless Steel
Front: IP 68, Back: IP67, IK09
See next Pages

-40... +55 °C | -40 °F... +131 °F
Polycarbonate
Stainless Steel
Front: IP 68, Back: IP67, IK09
See next Pages

Article Code

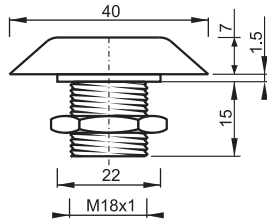
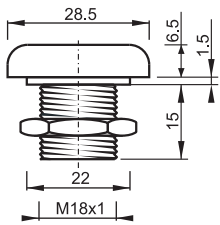
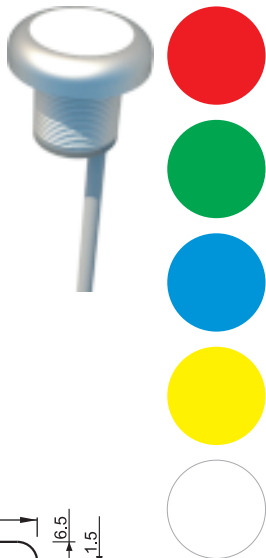
Terminal Block, 5-pole
Pig-Tailed Connector M8, (30cm)
Single Strands, (20cm)
PVC Cable, (200cm)

MLS22 T-VRGB/TB5
MLS22 T-VRGB/3P8
MLS22 T-VRGB/2F4
MLS22 T-VRGB/A2P

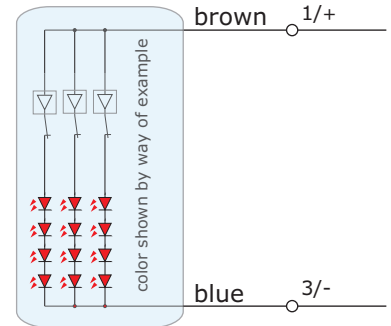
MLH22 T-VRGB/TB5
MLH22 T-VRGB/3P8
MLH22 T-VRGB/2F4
MLH22 T-VRGB/A2P

Symbol Specification Code

DuraTouch® - Machine Operation Single Color LED-Indicator



Schematic



Shock Resistant
vandal-proof construction

5 Different Colors
maximum brightness

100% Oil-Tight
completely sealed enclosure

Constant Brightness
varying voltage has no effect

Compatible Siemens Moeller
fits into standard Ø22.5mm holes

Single-LED Standard

14... 30 VDC
~ 11 mA per string
~ 8 V
~ 14 V
~ 13 V

-40... +55 °C | -40 °F... +131 °F

Polycarbonate

Stainless Steel

Front: IP 68, Back: IP67, IK09

See next Pages

Single-LED Hygienic

14... 30 VDC
~ 11 mA per string
~ 8 V
~ 14 V
~ 13 V

-40... +55 °C | -40 °F... +131 °F

Polycarbonate

Stainless Steel

Front: IP 68, Back: IP67, IK09

See next Pages

These very flexible Multi-Color LED-Indicators from Xecro fit into the same mounting holes the Ø22mm DuraTouch® uses and were also used by the mechanical switches and filament lamps from Siemens® and Moeller®.

Each LED path can be driven individually to select one of 7 different colors enabling the user to display e.g.

- ready
- all parts in position
- machine processing
- low part count in magazine
- error

with a single indicator.

Each indicator additionally can be upgraded with a pictogram to point the meaning of it even more.

The Single LED Indicators on the right are using 12 very bright LEDs of a single color and thereby reaching significant more brightness on standard colors.

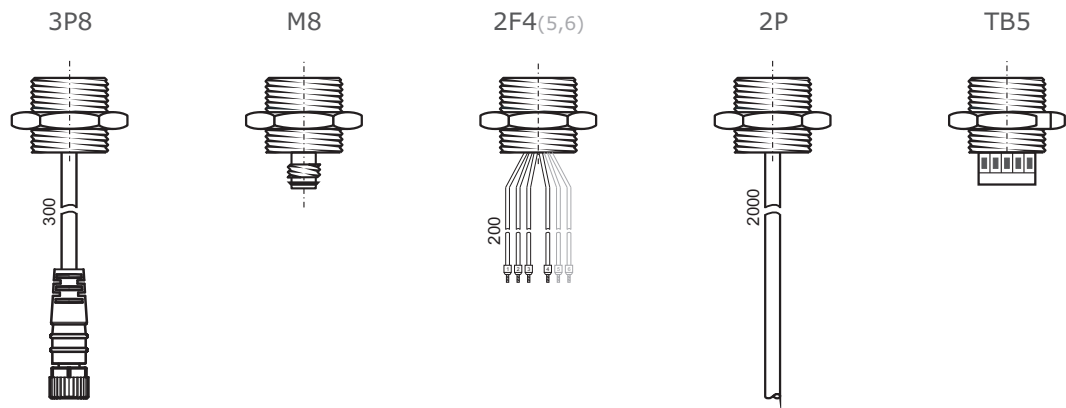
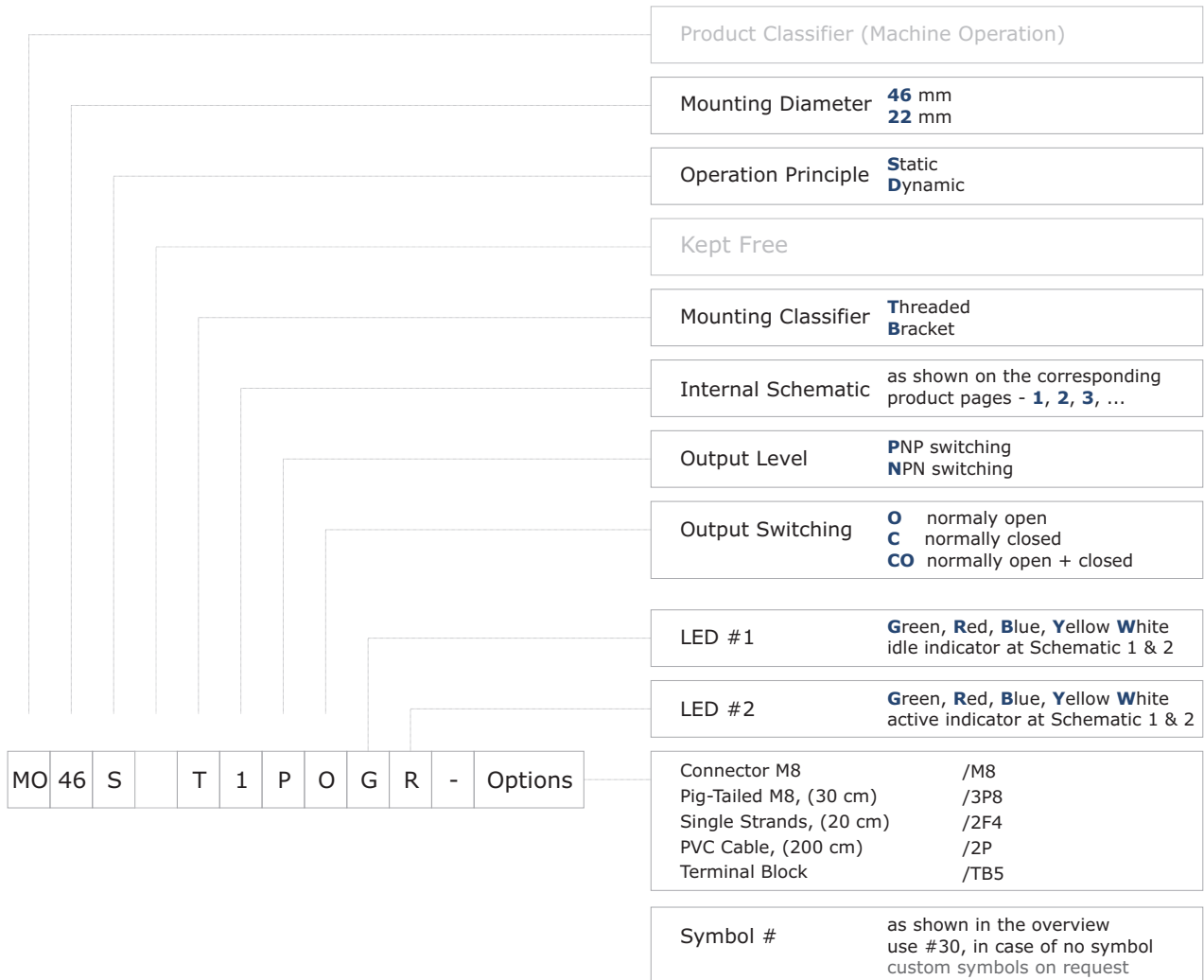
SLS22 T-VRRR/TB5
SLS22 T-VRRR/3P8
SLS22 T-VRRR/2F4
SLS22 T-VRRR/A2P

SLH22 T-VRRR/TB5
SLH22 T-VRRR/3P8
SLH22 T-VRRR/2F4
SLH22 T-VRRR/A2P

GGG for green, YYY for yellow
BBB for blue, WWW for white
See next pages

GGG for green, YYY for yellow
BBB for blue, WWW for white

How to build Order Codes



DuraTouch® Machine Operation Single|Multi Color LED-Indicator

Standard Pictograms

