

NOARK Electric

Electrical Equipment Manufacturer for Distribution and Control



NOARK Electric is a global manufacturer of electrical distribution and control products that address a variety of customer needs, ranging from components to intelligent system solutions. Our global product lines include: circuit breakers, contactors, relays and intelligent control. Based in Shanghai, China, NOARK Electric was established in 2007 and covers the globe with regional headquarters in North America, Latin America, Europe and Middle East/Africa.

Globally, NOARK Electric serves the industrial, commercial, utility and residential markets. In North America, NOARK Electric focuses primarily on industrial OEMs, users and associated channel partners. Our motto is "Excellent Product...Exceptional Value," which NOARK Electric delivers to our customer by maintaining local inventory, providing local sales, customer service and support and manufacturing quality, aggressively priced products backed by a five-year limited warranty.

Quality Product

- Backed by a five-year limited warranty*



Exceptional Value

- Reduce the cost of products
- Improve profitability
- Increase margins

Local Support and Local Inventory

- Superb customer service
- Knowledgeable technical support
- Dedicated sales force
- Well-stocked inventory
- North American headquarters

*Contact NOARK Electric for complete details.

NOARK Electric

International Headquarter Locations



Global reach. Local resources.

The best of both worlds come together when customers count on NOARK as their electrical product manufacturer.

Molded Case Circuit Breakers/Motor Circuit Protection and Switches M1-M6 Product Accessories Lineup



**Alarm Switch (AL)/
Auxiliary Contact (AX)**
(D86)



Handle Lock (KLK)
(D89)



Mechanical Interlock (MIT)
(D89)



Motor Operator (MOD)
(D90)



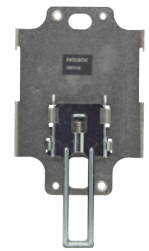
IEC Rotary Handle (RHD)
Close Coupled (D91)



Under-Voltage Trip (UVT)
(D88)



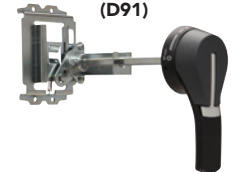
Molded Case Circuit Breaker (A3-37)
Molded Case Motor Circuit Protectors (B38-69)
Molded Case Switch (C70-81)



DIN Rail Plate (DRP)
(D91)



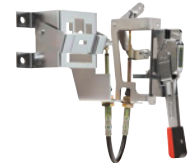
Shunt Trip (SHT)
(D87)



**NEMA Extended
Rotary Handle
Through the Door (D92)**



Plug-In Base (PIA)
(D94)



**NEMA Flange Handle
Mechanism (FHM)**
Through the Door (D93)



Terminal Lugs (LTC)
(D94)



Rear Connection Kit (RCP)
(D95)



Draw-Out Base (DOB)
Breaker/Switch sold separately
(D95)

NOARK Electric

Table of Contents

A Molded Case Circuit Breakers

Product Overview.....	A4
National and International Standards	A5
Product Selection Guide	A6
Products	
M1	A7-12
M2	A13-15
M3	A16-18
M4	A19-20
M5	A21-22
M6	A23-24
Specifications.....	A25-27
Trip Unit.....	A28-30
Trip Curve.....	A31-36
Dimensions	A37-40
Mounting Positions	A41-43



B Molded Case Motor Circuit Protectors

Product Overview.....	B45
National and International Standards	B46
Product Selection Guide	B47
Products	
M1M	B48-51
M2M	B52-53
M3M	B54-55
M4M	B56-57
M5M	B58-59
M6M	B60-61
Specifications.....	B62
Trip Unit.....	B63-64
Trip Curve.....	B65-70
Dimensions*	A37-40
Mounting Positions*	A41-43



*Note that Molded Case Motor Circuit Protectors Dimensions and Mounting Positions are the same as those of the Molded Case Circuit Breakers.

NOARK Electric

Table of Contents

C Molded Case Switches

Product Overview.....	C73
National and International Standards	C74
Product Selection Guide	C75
Products	
M1D	C76
M2D	C77
M3D	C78
M4D	C79
M5D	C80
M6D	C81
Specifications.....	C82-83
Dimensions*	A37-40
Mounting Positions*	A41-43



*Note that Molded Case Motor Circuit Protectors Dimensions and Mounting Positions are the same as those of the Molded Case Circuit Breakers.

D Accessories

Accessories Overview	D85
National and International Standards	D86
Accessories Selection	
Internal Accessories.....	D87-90
External Accessories.....	D91-95
Connection Hardware	D96-97
Accessories Dimensions	
Internal Accessories.....	D98
External Accessories.....	D99-106
Connection Hardware	D107-113



MOLDED CASE CIRCUIT BREAKERS



M1 ~ M6

Molded Case Circuit Breakers

M1-M6 Product Overview

Features

Ex9 Series - M Molded Case Circuit Breakers, 15~1200 A

NOARK Electric offers a complete range of Molded Case Circuit Breakers in six frame sizes: M1 - 150 A, M2 - 250 A, M3 - 400 A, M4 - 600 A, M5 - 800 A, and M6 - 1,200 A. Each frame size offers a range of interrupting voltage ratings from 240-690 Vac and 250-600 Vdc. The M series conforms to global standards that include UL 489, CSA C22.2 No 5 and IEC 60947-2.

The Ex9 Series - M offers:

- High-breaking capacity and a new patented arc extinguishing design
- New patented technology reduces the manual operating force
- High quality compact modular with energy saving and environmentally friendly design
- Installation flexibility:
 - ✓ Bus Bar Connection
 - ✓ Lug Line/Load Side Connection
 - ✓ Plug-In
 - ✓ Rear Connection
 - ✓ Draw-Out
- Fixed and adjustable trip setting units
- Wide range of accessories:
 - ✓ Alarm Switch and Auxiliary Contact
 - ✓ Shunt and Under-Voltage Trip
 - ✓ Interlock
 - ✓ NEMA and IEC Type Rotary Handle
 - ✓ NEMA Type Flange Handle
 - ✓ Motor Operator

Molded Case Circuit Breakers

M1-M6 National and International Standards

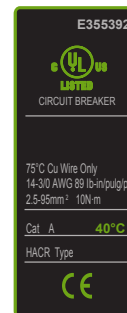
Certifications

- UL 489 Listed, File Number E355392
(Standard for connection terminals which allows the user to apply field wiring directly to the breaker)
- Certified for Canada according to CSA standards 22.2 No. 5
- IEC/EN 60947-2
- CE Compliant
- RoHS Compliant



Molded Case Circuit Breakers M1-M6 Product Selection Guide

Label



1. Handle
2. Product Series
3. Product Selection
4. Test Button
5. Adjustable Current Setting (M1) or Adjustable Current and Magnetic Setting (M2~M4)

6. Brand
7. UL Listed Mark
8. CE Mark
9. Rated Current

Product Selection Guide

M	1	S	100	T	2	L	F†	C***
NOARK Ex9 Series - M	Frame Size	Interrupting Rating	Amperage	Trip Unit	Pole	Terminal Option	Rate Code	Neutral Protection Code
	1: 150 A 2: 250 A 3: 400 A 4: 600 A 5: 800 A 6: 1200 A	S: Up to 50kA @ 240Vac (M1/M2) 65 kA @ 240Vac (M3/M4/M5/M6) 42kA @ 480Vac 22kA @ 600Vac N: 100 kA @ 240Vac Up to 65kA @ 480Vac 30kA @ 600Vac H: 150 kA @ 240Vac ** 100kA @ 480Vac Up to 50kA @ 600Vac	M1: 15~150 A M2: 100~250 A M3: 225~400 A M4: 400~600 A M5: 600~800A M6: 800~1200 A	T: Thermal-Magnetic E: Electronic (M6 only)	1: 1 Pole (M1/M2 Only) 22: 2 Poles (M1/M2 Only) 2: 2 Poles (3 Pole Case) 3: 3 Poles 4: 4 Poles (M5-M6 Only)	Blank: Bus Bar Connection L: Lug Line/Load Side Connection (Standard configuration for M1: 1 hole, M2: 1 hole, M3: 1 hole, M4: 2 hole, M5: 600A, 700A 2 hole, M5: 800A 3 hole, M6: 800A, 1000A 3 hole, M6: 1200A 4 hole) P*: Plug-In R*: Rear Connection D*: Draw-Out	Blank: Standard MCCB (80% Rated) F: 100% Rated MCCB	Blank: Neutral Pole without protection C: Neutral Pole with 100% protection

*: Used for M1-M4
 **: Used for M1-M5
 ***: M5 4P Only
 †: M6 only

Molded Case Circuit Breakers

M1 Bus Bar Connection

- Bus Bar Connection MCCB not sold with Bus Bar* or Terminal Lugs



Rated Amperage (A)	1 Pole		2 Poles		
	Fixed Thermal • Fixed Magnetic		Adjustable Thermal • Fixed Magnetic		
	Product	Part Number	Product	Part Number	
	Bus Bar Connection		Bus Bar Connection		
M1S (35 kA @ 480 Vac)	15		M1S15T22	1102238	
	20		M1S20T22	1102239	
	25		M1S25T22	1102240	
	30		M1S30T22	1102241	
	35		M1S35T22	1102242	
	40		M1S40T22	1102243	
	45		M1S45T22	1102244	
	50		M1S50T22	1102245	
	60		M1S60T22	1102246	
	70		M1S70T22	1102247	
	80		M1S80T22	1102248	
	90		M1S90T22	1102249	
	100		M1S100T22	1102250	
	125		M1S125T22	1102152	
150		M1S150T22	1102153		
M1N (10kA @480 Vac, 65 kA @ 480 Vac)	15	M1N15T1	1102208	M1N15T22	1102251
	20	M1N20T1	1102209	M1N20T22	1102252
	25	M1N25T1	1102210	M1N25T22	1102253
	30	M1N30T1	1102211	M1N30T22	1102254
	35	M1N35T1	1102212	M1N35T22	1102255
	40	M1N40T1	1102213	M1N40T22	1102256
	45	M1N45T1	1102214	M1N45T22	1102257
	50	M1N50T1	1102215	M1N50T22	1102258
	60	M1N60T1	1102216	M1N60T22	1102259
	70	M1N70T1	1102217	M1N70T22	1102260
	80	M1N80T1	1102218	M1N80T22	1102261
	90	M1N90T1	1102219	M1N90T22	1102262
	100	M1N100T1	1102220	M1N100T22	1102263
	125	M1N125T1	1102221	M1N125T22	1102154
150	M1N150T1	1102222	M1N150T22	1102155	
M1H (100 kA @ 480 Vac)	15		M1H15T22	1102264	
	20		M1H20T22	1102265	
	25		M1H25T22	1102266	
	30		M1H30T22	1102267	
	35		M1H35T22	1102268	
	40		M1H40T22	1102269	
	45		M1H45T22	1102270	
	50		M1H50T22	1102271	
	60		M1H60T22	1102272	
	70		M1H70T22	1102273	
	80		M1H80T22	1102274	
	90		M1H90T22	1102275	
	100		M1H100T22	1102276	
	125		M1H125T22	1102156	
150		M1H150T22	1102157		

A

Specifications.....A25-A27	Trip Curve.....A31-A32	Accessories.....D85-D113
Interruption Polarity.....A27	Dimensions.....A37	
Trip Unit.....A28	Mounting Position.....A41	

Molded Case Circuit Breakers

M1 Lug Line/Load Side Connection

- Bus Bar Connection MCCB not sold with Bus Bar* or Terminal Lugs



Rated Amperage (A)	1 Pole		2 Poles		
	Fixed Thermal • Fixed Magnetic		Adjustable Thermal • Fixed Magnetic		
	Product	Part Number	Product	Part Number	
	Lug Line/Load Side Connection		Lug Line/Load Side Connection		
M1S (35 kA @ 480 Vac)	15		M1S15T22L	1102277	
	20		M1S20T22L	1102278	
	25		M1S25T22L	1102279	
	30		M1S30T22L	1102280	
	35		M1S35T22L	1102281	
	40		M1S40T22L	1102282	
	45		M1S45T22L	1102283	
	50		M1S50T22L	1102284	
	60		M1S60T22L	1102285	
	70		M1S70T22L	1102286	
	80		M1S80T22L	1102287	
	90		M1S90T22L	1102288	
	100		M1S100T22L	1102289	
125		M1S125T22L	1102164		
150		M1S150T22L	1102165		
M1N 10kA @480 Vac, (65 kA @ 480 Vac)	15	M1N15T1L	1102223	M1N15T22L	1102290
	20	M1N20T1L	1102224	M1N20T22L	1102291
	25	M1N25T1L	1102225	M1N25T22L	1102292
	30	M1N30T1L	1102226	M1N30T22L	1102293
	35	M1N35T1L	1102227	M1N35T22L	1102294
	40	M1N40T1L	1102228	M1N40T22L	1102295
	45	M1N45T1L	1102229	M1N45T22L	1102296
	50	M1N50T1L	1102230	M1N50T22L	1102297
	60	M1N60T1L	1102231	M1N60T22L	1102298
	70	M1N70T1L	1102232	M1N70T22L	1102299
	80	M1N80T1L	1102233	M1N80T22L	1102300
	90	M1N90T1L	1102234	M1N90T22L	1102301
	100	M1N100T1L	1102235	M1N100T22L	1102302
125	M1N125T1L	1102236	M1N125T22L	1102166	
150	M1N150T1L	1102237	M1N150T22L	1102167	
M1H (100 kA @ 480 Vac)	15		M1H15T22L	1102303	
	20		M1H20T22L	1102304	
	25		M1H25T22L	1102305	
	30		M1H30T22L	1102306	
	35		M1H35T22L	1102307	
	40		M1H40T22L	1102308	
	45		M1H45T22L	1102309	
	50		M1H50T22L	1102310	
	60		M1H60T22L	1102311	
	70		M1H70T22L	1102312	
	80		M1H80T22L	1102313	
	90		M1H90T22L	1102314	
	100		M1H100T22L	1102315	
125		M1H125T22L	1102168		
150		M1H150T22L	1102169		

Specifications.....	A25-A27	Trip Curve.....	A31-A32	Accessories.....	D85-D113
Interruption Polarity.....	A27	Dimensions.....	A37		
Trip Unit.....	A28	Mounting Position.....	A41		

Molded Case Circuit Breakers

M1 Bus Bar Connection

- Bus Bar Connection MCCB not sold with Bus Bar* or Terminal Lugs



Rated Amperage (A)	2 Poles**		3 Poles		
	Adjustable Thermal • Fixed Magnetic		Adjustable Thermal • Fixed Magnetic		
	Product	Part Number	Product	Part Number	
	Bus Bar Connection		Bus Bar Connection		
M1S (35 kA @ 480 Vac)	15	M1S15T2	1100105	M1S15T3	1100001
	20	M1S20T2	1100106	M1S20T3	1100002
	25	M1S25T2	1100107	M1S25T3	1100003
	30	M1S30T2	1100108	M1S30T3	1100004
	35	M1S35T2	1100109	M1S35T3	1100005
	40	M1S40T2	1100110	M1S40T3	1100006
	45	M1S45T2	1100111	M1S45T3	1100007
	50	M1S50T2	1100112	M1S50T3	1100008
	60	M1S60T2	1100113	M1S60T3	1100009
	70	M1S70T2	1100114	M1S70T3	1100010
	80	M1S80T2	1100115	M1S80T3	1100011
	90	M1S90T2	1100116	M1S90T3	1100012
	100	M1S100T2	1100117	M1S100T3	1100013
125	-	-	M1S125T3	1102158	
150	-	-	M1S150T3	1102159	
M1N (65 kA @ 480 Vac)	15	M1N15T2	1100118	M1N15T3	1100014
	20	M1N20T2	1100119	M1N20T3	1100015
	25	M1N25T2	1100120	M1N25T3	1100016
	30	M1N30T2	1100121	M1N30T3	1100017
	35	M1N35T2	1100122	M1N35T3	1100018
	40	M1N40T2	1100123	M1N40T3	1100019
	45	M1N45T2	1100124	M1N45T3	1100020
	50	M1N50T2	1100125	M1N50T3	1100021
	60	M1N60T2	1100126	M1N60T3	1100022
	70	M1N70T2	1100127	M1N70T3	1100023
	80	M1N80T2	1100128	M1N80T3	1100024
	90	M1N90T2	1100129	M1N90T3	1100025
	100	M1N100T2	1100130	M1N100T3	1100026
125	-	-	M1N125T3	1102160	
150	-	-	M1N150T3	1102161	
M1H (100 kA @ 480 Vac)	15	M1H15T2	1101587	M1H15T3	1101535
	20	M1H20T2	1101588	M1H20T3	1101536
	25	M1H25T2	1101589	M1H25T3	1101537
	30	M1H30T2	1101590	M1H30T3	1101538
	35	M1H35T2	1101591	M1H35T3	1101539
	40	M1H40T2	1101592	M1H40T3	1101540
	45	M1H45T2	1101593	M1H45T3	1101541
	50	M1H50T2	1101594	M1H50T3	1101542
	60	M1H60T2	1101595	M1H60T3	1101543
	70	M1H70T2	1101596	M1H70T3	1101544
	80	M1H80T2	1101597	M1H80T3	1101545
	90	M1H90T2	1101598	M1H90T3	1101546
	100	M1H100T2	1101599	M1H100T3	1101547
125	-	-	M1H125T3	1102162	
150	-	-	M1H150T3	1102163	

A

Specifications.....A25-A27	Trip Curve.....A31-A32	Accessories.....D85-D113
Interruption Polarity.....A27	Dimensions.....A37	
Trip Unit.....A28	Mounting Position.....A41	

* NOTE: Bus Bar Connection not available through NOARK Electric.
 ** 2 pole in a 3 pole case

Molded Case Circuit Breakers

M1 Lug Line/Load Side Connection

- Lug Line/Load Side Connection
MCCB sold with Terminal Lugs



Rated Amperage (A)	2 Poles*		3 Poles	
	Adjustable Thermal • Fixed Magnetic		Adjustable Thermal • Fixed Magnetic	
	Product	Part Number	Product	Part Number
	Lug Line/Load Side Connection		Lug Line/Load Side Connection	
M1S (35 kA @ 480 Vac)	15	M1S15T2L 1100131	M1S15T3L 1100027	
	20	M1S20T2L 1100132	M1S20T3L 1100028	
	25	M1S25T2L 1100133	M1S25T3L 1100029	
	30	M1S30T2L 1100134	M1S30T3L 1100030	
	35	M1S35T2L 1100135	M1S35T3L 1100031	
	40	M1S40T2L 1100136	M1S40T3L 1100032	
	45	M1S45T2L 1100137	M1S45T3L 1100033	
	50	M1S50T2L 1100138	M1S50T3L 1100034	
	60	M1S60T2L 1100139	M1S60T3L 1100035	
	70	M1S70T2L 1100140	M1S70T3L 1100036	
	80	M1S80T2L 1100141	M1S80T3L 1100037	
	90	M1S90T2L 1100142	M1S90T3L 1100038	
	100	M1S100T2L 1100143	M1S100T3L 1100039	
125	-	M1S125T3L 1102170		
150	-	M1S150T3L 1102171		
M1N (65 kA @ 480 Vac)	15	M1N15T2L 1100144	M1N15T3L 1100040	
	20	M1N20T2L 1100145	M1N20T3L 1100041	
	25	M1N25T2L 1100146	M1N25T3L 1100042	
	30	M1N30T2L 1100147	M1N30T3L 1100043	
	35	M1N35T2L 1100148	M1N35T3L 1100044	
	40	M1N40T2L 1100149	M1N40T3L 1100045	
	45	M1N45T2L 1100150	M1N45T3L 1100046	
	50	M1N50T2L 1100151	M1N50T3L 1100047	
	60	M1N60T2L 1100152	M1N60T3L 1100048	
	70	M1N70T2L 1100153	M1N70T3L 1100049	
	80	M1N80T2L 1100154	M1N80T3L 1100050	
	90	M1N90T2L 1100155	M1N90T3L 1100051	
	100	M1N100T2L 1100156	M1N100T3L 1100052	
125	-	M1N125T3L 1102172		
150	-	M1N150T3L 1102173		
M1H (100 kA @ 480 Vac)	15	M1H15T2L 1101600	M1H15T3L 1101548	
	20	M1H20T2L 1101601	M1H20T3L 1101549	
	25	M1H25T2L 1101602	M1H25T3L 1101550	
	30	M1H30T2L 1101603	M1H30T3L 1101551	
	35	M1H35T2L 1101604	M1H35T3L 1101552	
	40	M1H40T2L 1101605	M1H40T3L 1101553	
	45	M1H45T2L 1101606	M1H45T3L 1101554	
	50	M1H50T2L 1101607	M1H50T3L 1101555	
	60	M1H60T2L 1101608	M1H60T3L 1101556	
	70	M1H70T2L 1101609	M1H70T3L 1101557	
	80	M1H80T2L 1101610	M1H80T3L 1101558	
	90	M1H90T2L 1101611	M1H90T3L 1101559	
	100	M1H100T2L 1101612	M1H100T3L 1101560	
125	-	M1H125T3L 1102174		
150	-	M1H150T3L 1102175		

Specifications.....	A25-A27	Trip Curve.....	A31-A32	Accessories.....	D85-D113
Interruption Polarity.....	A27	Dimensions.....	A37		
Trip Unit.....	A28	Mounting Position.....	A41		

* 2 pole in a 3 pole case

Molded Case Circuit Breakers

M1 Plug-In

- Plug-In MCCB sold with Plug-In Base



3 Poles

Rated Amperage (A)	Adjustable Thermal • Fixed Magnetic	
	Product	Part Number
	Plug-In	
M1S (35 kA @ 480 Vac)	15	M1S15T3P 1100053
	20	M1S20T3P 1100054
	25	M1S25T3P 1100055
	30	M1S30T3P 1100056
	35	M1S35T3P 1100057
	40	M1S40T3P 1100058
	45	M1S45T3P 1100059
	50	M1S50T3P 1100060
	60	M1S60T3P 1100061
	70	M1S70T3P 1100062
	80	M1S80T3P 1100063
	90	M1S90T3P 1100064
	100	M1S100T3P 1100065
	125	M1S125T3P 1102176
	150	M1S150T3P 1102177
M1N (65 kA @ 480 Vac)	15	M1N15T3P 1100066
	20	M1N20T3P 1100067
	25	M1N25T3P 1100068
	30	M1N30T3P 1100069
	35	M1N35T3P 1100070
	40	M1N40T3P 1100071
	45	M1N45T3P 1100072
	50	M1N50T3P 1100073
	60	M1N60T3P 1100074
	70	M1N70T3P 1100075
	80	M1N80T3P 1100076
	90	M1N90T3P 1100077
	100	M1N100T3P 1100078
	125	M1N125T3P 1102178
	150	M1N150T3P 1102179
M1H (100 kA @ 480 Vac)	15	M1H15T3P 1101561
	20	M1H20T3P 1101562
	25	M1H25T3P 1101563
	30	M1H30T3P 1101564
	35	M1H35T3P 1101565
	40	M1H40T3P 1101566
	45	M1H45T3P 1101567
	50	M1H50T3P 1101568
	60	M1H60T3P 1101569
	70	M1H70T3P 1101570
	80	M1H80T3P 1100076
	90	M1H90T3P 1100077
	100	M1H100T3P 1100078
	125	M1H125T3P 1102180
	150	M1H150T3P 1102181

A

Specifications.....A25-A27	Trip Curve.....A31-A32	Accessories.....D85-D113
Interruption Polarity.....A27	Dimensions.....A37	
Trip Unit.....A28	Mounting Position.....A41	

Molded Case Circuit Breakers

M1 Rear Connection

- Rear Connection MCCB sold with Rear Connection Kit



Rear Connection Kit

Rated Amperage (A)	2 Poles*		3 Poles		
	Adjustable Thermal • Fixed Magnetic		Adjustable Thermal • Fixed Magnetic		
	Product	Part Number	Product	Part Number	
	Rear Connection		Rear Connection		
M1S (35 kA @ 480 Vac)	15	M1S15T2R	1100183	M1S15T3R	1100079
	20	M1S20T2R	1100184	M1S20T3R	1100080
	25	M1S25T2R	1100185	M1S25T3R	1100081
	30	M1S30T2R	1100186	M1S30T3R	1100082
	35	M1S35T2R	1100187	M1S35T3R	1100083
	40	M1S40T2R	1100188	M1S40T3R	1100084
	45	M1S45T2R	1100189	M1S45T3R	1100085
	50	M1S50T2R	1100190	M1S50T3R	1100086
	60	M1S60T2R	1100191	M1S60T3R	1100087
	70	M1S70T2R	1100192	M1S70T3R	1100088
	80	M1S80T2R	1100193	M1S80T3R	1100089
	90	M1S90T2R	1100194	M1S90T3R	1100090
	100	M1S100T2R	1100195	M1S100T3R	1100091
	125	-	-	M1S125T3R	1102188
150	-	-	M1S150T3R	1102189	
M1N (65 kA @ 480 Vac)	15	M1N15T2R	1100196	M1N15T3R	1100092
	20	M1N20T2R	1100197	M1N20T3R	1100093
	25	M1N25T2R	1100198	M1N25T3R	1100094
	30	M1N30T2R	1100199	M1N30T3R	1100095
	35	M1N35T2R	1100200	M1N35T3R	1100096
	40	M1N40T2R	1100201	M1N40T3R	1100097
	45	M1N45T2R	1100202	M1N45T3R	1100098
	50	M1N50T2R	1100203	M1N50T3R	1100099
	60	M1N60T2R	1100204	M1N60T3R	1100100
	70	M1N70T2R	1100205	M1N70T3R	1100101
	80	M1N80T2R	1100206	M1N80T3R	1100102
	90	M1N90T2R	1100207	M1N90T3R	1100103
	100	M1N100T2R	1100208	M1N100T3R	1100104
	125	-	-	M1N125T3R	1102190
150	-	-	M1N150T3R	1102191	
M1H (100 kA @ 480 Vac)	15	M1H15T2R	1101626	M1H15T3R	1101574
	20	M1H20T2R	1101627	M1H20T3R	1101575
	25	M1H25T2R	1101628	M1H25T3R	1101576
	30	M1H30T2R	1101629	M1H30T3R	1101577
	35	M1H35T2R	1101630	M1H35T3R	1101578
	40	M1H40T2R	1101631	M1H40T3R	1101579
	45	M1H45T2R	1101632	M1H45T3R	1101580
	50	M1H50T2R	1101633	M1H50T3R	1101581
	60	M1H60T2R	1101634	M1H60T3R	1101582
	70	M1H70T2R	1101635	M1H70T3R	1101583
	80	M1H80T2R	1101636	M1H80T3R	1101584
	90	M1H90T2R	1101637	M1H90T3R	1101585
	100	M1H100T2R	1101638	M1H100T3R	1101586
	125	-	-	M1H125T3R	1102192
150	-	-	M1H150T3R	1102193	

Specifications.....	A25-A27	Trip Curve.....	A31-A32	Accessories.....	D85-D113
Interruption Polarity.....	A27	Dimensions.....	A37		
Trip Unit.....	A28	Mounting Position.....	A41		

* 2 pole in a 3 pole case

Molded Case Circuit Breakers

M2 Bus Bar Connection and Lug Line/Load Side Connection

- Bus Bar Connection MCCB not sold with Bus Bar* or Terminal Lugs
- Lug Line/Load Side Connection MCCB sold with Terminal Lugs



Rated Amperage (A)	1 Pole		2 Poles		
	Fixed Thermal • Fixed Magnetic		Adjustable Thermal • Adjustable Magnetic		
	Product	Part Number	Product	Part Number	
	Bus Bar Connection		Bus Bar Connection		
M2S (35 kA @ 480 Vac)	100		M2S100T22	1102330	
	125		M2S125T22	1102331	
	150		M2S150T22	1102332	
	175		M2S175T22	1102333	
	200		M2S200T22	1102334	
	225		M2S225T22	1102335	
	250		M2S250T22	1102336	
M2N (10 kA @ 480 Vac 65 kA @ 480 Vac)	100	M2N100T1	1102316	M2N100T22	1102344
	125	M2N125T1	1102317	M2N125T22	1102345
	150	M2N150T1	1102318	M2N150T22	1102346
	175	M2N175T1	1102319	M2N175T22	1102347
	200	M2N200T1	1102320	M2N200T22	1102348
	225	M2N225T1	1102321	M2N225T22	1102349
	250	M2N250T1	1102322	M2N250T22	1102350
	Lug Line/Load Side Connection		Lug Line/Load Side Connection		
M2S (35 kA @ 480 Vac)	100		M2S100T22L	1102337	
	125		M2S125T22L	1102338	
	150		M2S150T22L	1102339	
	175		M2S175T22L	1102340	
	200		M2S200T22L	1102341	
	225		M2S225T22L	1102342	
	250		M2S250T22L	1102343	
M2N (10 kA @ 480 Vac 65 kA @ 480 Vac)	100	M2N100T1L	1102323	M2N100T22L	1102351
	125	M2N125T1L	1102324	M2N125T22L	1102352
	150	M2N150T1L	1102325	M2N150T22L	1102353
	175	M2N175T1L	1102326	M2N175T22L	1102354
	200	M2N200T1L	1102327	M2N200T22L	1102355
	225	M2N225T1L	1102328	M2N225T22L	1102356
	250	M2N250T1L	1102329	M2N250T22L	1102357

A

Specifications.....A25-A27	Trip Curve.....A33	Accessories.....D85-D113
Interruption Polarity.....A27	Dimensions.....A38	
Trip Unit.....A29	Mounting Position.....A41	

*NOTE: Bus Bar Connection not available through NOARK Electric.

Molded Case Circuit Breakers

M2 Bus Bar Connection and Lug Line/Load Side Connection

- Bus Bar Connection MCCB not sold with Bus Bar* or Terminal Lugs
- Lug Line/Load Side Connection MCCB sold with Terminal Lugs



Rated Amperage (A)		2 Poles**		3 Poles	
		Adjustable Thermal • Adjustable Magnetic		Adjustable Thermal • Adjustable Magnetic	
		Product	Part Number	Product	Part Number
		Bus Bar Connection		Bus Bar Connection	
M2S (35 kA @ 480 Vac)	100	M2S100T2	1100257	M2S100T3	1100209
	125	M2S125T2	1100258	M2S125T3	1100210
	150	M2S150T2	1100259	M2S150T3	1100211
	175	M2S175T2	1100260	M2S175T3	1100212
	200	M2S200T2	1100261	M2S200T3	1100213
	225	M2S225T2	1100262	M2S225T3	1100214
	250	M2S250T2	1101967	M2S250T3	1101955
M2N (65 kA @ 480 Vac)	100	M2N100T2	1100263	M2N100T3	1100215
	125	M2N125T2	1100264	M2N125T3	1100216
	150	M2N150T2	1100265	M2N150T3	1100217
	175	M2N175T2	1100266	M2N175T3	1100218
	200	M2N200T2	1100267	M2N200T3	1100219
	225	M2N225T2	1100268	M2N225T3	1100220
	250	M2N250T2	1101968	M2N250T3	1101956
M2H (100 kA @ 480 Vac)	100	M2H100T2	1101663	M2H100T3	1101639
	125	M2H125T2	1101664	M2H125T3	1101640
	150	M2H150T2	1101665	M2H150T3	1101641
	175	M2H175T2	1101666	M2H175T3	1101642
	200	M2H200T2	1101667	M2H200T3	1101643
	225	M2H225T2	1101668	M2H225T3	1101644
	250	M2H250T2	1101969	M2H250T3	1101957
		Lug Line/Load Side Connection		Lug Line/Load Side Connection	
M2S (35 kA @ 480 Vac)	100	M2S100T2L	1100269	M2S100T3L	1100221
	125	M2S125T2L	1100270	M2S125T3L	1100222
	150	M2S150T2L	1100271	M2S150T3L	1100223
	175	M2S175T2L	1100272	M2S175T3L	1100224
	200	M2S200T2L	1100273	M2S200T3L	1100225
	225	M2S225T2L	1100274	M2S225T3L	1100226
	250	M2S250T2L	1101970	M2S250T3L	1101958
M2N (65 kA @ 480 Vac)	100	M2N100T2L	1100275	M2N100T3L	1100227
	125	M2N125T2L	1100276	M2N125T3L	1100228
	150	M2N150T2L	1100277	M2N150T3L	1100229
	175	M2N175T2L	1100278	M2N175T3L	1100230
	200	M2N200T2L	1100279	M2N200T3L	1100231
	225	M2N225T2L	1100280	M2N225T3L	1100232
	250	M2N250T2L	1101971	M2N250T3L	1101959
M2H (100 kA @ 480 Vac)	100	M2H100T2L	1101669	M2H100T3L	1101645
	125	M2H125T2L	1101670	M2H125T3L	1101646
	150	M2H150T2L	1101671	M2H150T3L	1101647
	175	M2H175T2L	1101672	M2H175T3L	1101648
	200	M2H200T2L	1101673	M2H200T3L	1101649
	225	M2H225T2L	1101674	M2H225T3L	1101650
	250	M2H250T2L	1101972	M2H250T3L	1101960

Specifications.....	A25-A27	Trip Curve.....	A33	Accessories.....	D85-D113
Interruption Polarity.....	A27	Dimensions.....	A38		
Trip Unit.....	A29	Mounting Position.....	A41		

*NOTE: Bus Bar Connection not available through NOARK Electric.
 ** 2 pole in a 3 pole case

Molded Case Circuit Breakers

M2 Plug-In and Rear Connection

- Plug-In MCCB sold with Plug-In Base
- Rear Connection MCCB sold with Rear Connection Kit



Rear Connection Kit

Rated Amperage (A)	2 Poles*		3 Poles		
	Adjustable Thermal • Adjustable Magnetic		Adjustable Thermal • Adjustable Magnetic		
	Product	Part Number	Product	Part Number	
	Plug-In		Plug-In		
M2S (35 kA @ 480 Vac)	100		M2S100T3P	1100233	
	125		M2S125T3P	1100234	
	150		M2S150T3P	1100235	
	175	N/A	M2S175T3P	1100236	
	200		M2S200T3P	1100237	
	225		M2S225T3P	1100238	
	250		M2S250T3P	1101961	
M2N (65 kA @ 480 Vac)	100		M2N100T3P	1100239	
	125		M2N125T3P	1100240	
	150		M2N150T3P	1100241	
	175	N/A	M2N175T3P	1100242	
	200		M2N200T3P	1100243	
	225		M2N225T3P	1100244	
	250		M2N250T3P	1101962	
M2H (100 kA @ 480 Vac)	100		M2H100T3P	1101651	
	125		M2H125T3P	1101652	
	150		M2H150T3P	1101653	
	175	N/A	M2H175T3P	1101654	
	200		M2H200T3P	1101655	
	225		M2H225T3P	1101656	
	250		M2H250T3P	1101963	
	Rear Connection		Rear Connection		
M2S (35 kA @ 480 Vac)	100	M2S100T2R	1100293	M2S100T3R	1100245
	125	M2S125T2R	1100294	M2S125T3R	1100246
	150	M2S150T2R	1100295	M2S150T3R	1100247
	175	M2S175T2R	1100296	M2S175T3R	1100248
	200	M2S200T2R	1100297	M2S200T3R	1100249
	225	M2S225T2R	1100298	M2S225T3R	1100250
	250	M2S250T2R	1101976	M2S250T3R	1101964
M2N (65 kA @ 480 Vac)	100	M2N100T2R	1100299	M2N100T3R	1100251
	125	M2N125T2R	1100300	M2N125T3R	1100252
	150	M2N150T2R	1100301	M2N150T3R	1100253
	175	M2N175T2R	1100302	M2N175T3R	1100254
	200	M2N200T2R	1100303	M2N200T3R	1100255
	225	M2N225T2R	1100304	M2N225T3R	1100256
	250	M2N250T2R	1101977	M2N250T3R	1101965
M2H (100 kA @ 480 Vac)	100	M2H100T2R	1101681	M2H100T3R	1101657
	125	M2H125T2R	1101682	M2H125T3R	1101658
	150	M2H150T2R	1101683	M2H150T3R	1101659
	175	M2H175T2R	1101684	M2H175T3R	1101660
	200	M2H200T2R	1101685	M2H200T3R	1101661
	225	M2H225T2R	1101686	M2H225T3R	1101662
	250	M2H250T2R	1101978	M2H250T3R	1101966

A

Specifications.....	A25-A27	Trip Curve.....	A33	Accessories.....	D85-D113
Interruption Polarity.....	A27	Dimensions.....	A38		
Trip Unit.....	A29	Mounting Position.....	A41		

* 2 pole in a 3 pole case

Molded Case Circuit Breakers

M3 Bus Bar Connection and Lug Line/Load Side Connection

- Bus Bar Connection MCCB not sold with Bus Bar* or Terminal Lugs
- Lug Line/Load Side Connection MCCB sold with Terminal Lugs



Rated Amperage (A)	2 Poles**		3 Poles		
	Adjustable Thermal • Adjustable Magnetic		Adjustable Thermal • Adjustable Magnetic		
	Product	Part Number	Product	Part Number	
	Bus Bar Connection		Bus Bar Connection		
M3S (42 kA @ 480 Vac)	225	M3S225T2	1100305	M3S225T3	1100355
	250	M3S250T2	1100306	M3S250T3	1100356
	300	M3S300T2	1100307	M3S300T3	1100357
	350	M3S350T2	1100308	M3S350T3	1100358
	400	M3S400T2	1100309	M3S400T3	1100359
M3N (65 kA @ 480 Vac)	225	M3N225T2	1100310	M3N225T3	1100360
	250	M3N250T2	1100311	M3N250T3	1100361
	300	M3N300T2	1100312	M3N300T3	1100362
	350	M3N350T2	1100313	M3N350T3	1100363
	400	M3N400T2	1100314	M3N400T3	1100364
M3H (100 kA @ 480 Vac)	225	M3H225T2	1101687	M3H225T3	1101717
	250	M3H250T2	1101688	M3H250T3	1101718
	300	M3H300T2	1101689	M3H300T3	1101719
	350	M3H350T2	1101690	M3H350T3	1101720
	400	M3H400T2	1101691	M3H400T3	1101721
	Lug Line/Load Side Connection (1-Hole)		Lug Line/Load Side Connection (1-Hole)		
M3S (42 kA @ 480 Vac)	225	M3S225T2L	1100315	M3S225T3L	1100365
	250	M3S250T2L	1100316	M3S250T3L	1100366
	300	M3S300T2L	1100317	M3S300T3L	1100367
	350	M3S350T2L	1100318	M3S350T3L	1100368
	400	M3S400T2L	1100319	M3S400T3L	1100369
M3N (65 kA @ 480 Vac)	225	M3N225T2L	1100320	M3N225T3L	1100370
	250	M3N250T2L	1100321	M3N250T3L	1100371
	300	M3N300T2L	1100322	M3N300T3L	1100372
	350	M3N350T2L	1100323	M3N350T3L	1100373
	400	M3N400T2L	1100324	M3N400T3L	1100374
M3H (100 kA @ 480 Vac)	225	M3H225T2L	1101692	M3H225T3L	1101722
	250	M3H250T2L	1101693	M3H250T3L	1101723
	300	M3H300T2L	1101694	M3H300T3L	1101724
	350	M3H350T2L	1101695	M3H350T3L	1101725
	400	M3H400T2L	1101696	M3H400T3L	1101726

Specifications.....	A25-A27	Trip Curve.....	A34	Accessories.....	D85-D113
Interruption Polarity.....	A27	Dimensions.....	A38		
Trip Unit.....	A29	Mounting Position.....	A42		

*NOTE: Bus Bar Connection not available through NOARK Electric.
 ** 2 pole in a 3 pole case

Molded Case Circuit Breakers

M3 Draw-Out

- Plug-In MCCB sold with Plug-In Base
- Rear Connection MCCB sold with Rear Connection Kit
- Draw-Out MCCB sold with Draw-Out Base



Rated Amperage (A)		2 Poles*		3 Poles	
		Adjustable Thermal • Adjustable Magnetic		Adjustable Thermal • Adjustable Magnetic	
		Product	Part Number	Product	Part Number
		Draw-Out		Draw-Out	
M3S (42 kA @ 480 Vac)	225	M3S225T2D	1100345	M3S225T3D	1100395
	250	M3S250T2D	1100346	M3S250T3D	1100396
	300	M3S300T2D	1100347	M3S300T3D	1100397
	350	M3S350T2D	1100348	M3S350T3D	1100398
	400	M3S400T2D	1100349	M3S400T3D	1100399
M3N (65 kA @ 480 Vac)	225	M3N225T2D	1100350	M3N225T3D	1100400
	250	M3N250T2D	1100351	M3N250T3D	1100401
	300	M3N300T2D	1100352	M3N300T3D	1100402
	350	M3N350T2D	1100353	M3N350T3D	1100403
	400	M3N400T2D	1100354	M3N400T3D	1100404
M3H (100 kA @ 480 Vac)	225	M3H225T2D	1101712	M3H225T3D	1101742
	250	M3H250T2D	1101713	M3H250T3D	1101743
	300	M3H300T2D	1101714	M3H300T3D	1101744
	350	M3H350T2D	1101715	M3H350T3D	1101745
	400	M3H400T2D	1101716	M3H400T3D	1101746

Specifications.....	A25-A27	Trip Curve.....	A34	Accessories.....	D85-D113
Interruption Polarity.....	A27	Dimensions.....	A38		
Trip Unit.....	A29	Mounting Position.....	A42		

* 2 pole in a 3 pole case

Molded Case Circuit Breakers

M4 Bus Bar Connection and Lug Line/Load Side Connection

- Bus Bar Connection MCCB not sold with Bus Bar* or Terminal Lugs
- Lug Line/Load Side Connection MCCB sold with Terminal Lugs



A

Rated Amperage (A)	2 Poles**				3 Poles			
	Adjustable Thermal • Adjustable Magnetic				Adjustable Thermal • Adjustable Magnetic			
	Product	Part Number	Product	Part Number	Product	Part Number	Product	Part Number
	Bus Bar Connection				Bus Bar Connection			
M4S (42 kA @ 480 Vac)	400	M4S400T2	1100429		M4S400T3	1100405		
	500	M4S500T2	1100430		M4S500T3	1100406		
	600	M4S600T2	1100431		M4S600T3	1100407		
M4N (65 kA @ 480 Vac)	400	M4N400T2	1100432		M4N400T3	1100408		
	500	M4N500T2	1100433		M4N500T3	1100409		
	600	M4N600T2	1100434		M4N600T3	1100410		
M4H (100 kA @ 480 Vac)	400	M4H400T2	1101759		M4H400T3	1101747		
	500	M4H500T2	1101760		M4H500T3	1101748		
	600	M4H600T2	1101761		M4H600T3	1101749		
	Lug Line/Load Side Connection				Lug Line/Load Side Connection			
M4S (42 kA @ 480 Vac)	400	M4S400T2L	1100435		M4S400T3L	1100411		
	500	M4S500T2L	1100436		M4S500T3L	1100412		
	600	M4S600T2L	1100437		M4S600T3L	1100413		
M4N (65 kA @ 480 Vac)	400	M4N400T2L	1100438		M4N400T3L	1100414		
	500	M4N500T2L	1100439		M4N500T3L	1100415		
	600	M4N600T2L	1100440		M4N600T3L	1100416		
M4H (100 kA @ 480 Vac)	400	M4H400T2L	1101762		M4H400T3L	1101750		
	500	M4H500T2L	1101763		M4H500T3L	1101751		
	600	M4H600T2L	1101764		M4H600T3L	1101752		

Specifications.....	A25-A27	Trip Curve.....	A35	Accessories.....	D85-D113
Interruption Polarity.....	A27	Dimensions.....	A39		
Trip Unit.....	A29	Mounting Position.....	A42		

*NOTE: Bus Bar Connection not available through NOARK Electric.
 ** 2 pole in a 3 pole case

Molded Case Circuit Breakers

M4 Rear Connection and Draw-Out

- Rear Connection MCCB sold with Rear Connection Kit
- Draw-Out MCCB sold with Draw-Out Base



Rated Amperage (A)	2 Poles*		3 Poles	
	Adjustable Thermal • Adjustable Magnetic		Adjustable Thermal • Adjustable Magnetic	
	Product	Part Number	Product	Part Number
	Rear Connection		Rear Connection	
M4S (42 kA @ 480 Vac)	400	M4S400T2R 1100441	M4S400T3R 1100417	
	500	M4S500T2R 1100442	M4S500T3R 1100418	
	600	M4S600T2R 1100443	M4S600T3R 1100419	
M4N (65 kA @ 480 Vac)	400	M4N400T2R 1100444	M4N400T3R 1100420	
	500	M4N500T2R 1100445	M4N500T3R 1100421	
	600	M4N600T2R 1100446	M4N600T3R 1100422	
M4H (100 kA @ 480 Vac)	400	M4H400T2R 1101765	M4H400T3R 1101753	
	500	M4H500T2R 1101766	M4H500T3R 1101754	
	600	M4H600T2R 1101767	M4H600T3R 1101755	
	Draw-Out		Draw-Out	
M4S (42 kA @ 480 Vac)	400	M4S400T2D 1100447	M4S400T3D 1100423	
	500	M4S500T2D 1100448	M4S500T3D 1100424	
	600	M4S600T2D 1100449	M4S600T3D 1100425	
M4N (65 kA @ 480 Vac)	400	M4N400T2D 1100450	M4N400T3D 1100426	
	500	M4N500T2D 1100451	M4N500T3D 1100427	
	600	M4N600T2D 1100452	M4N600T3D 1100428	
M4H (100 kA @ 480 Vac)	400	M4H400T2D 1101768	M4H400T3D 1101756	
	500	M4H500T2D 1101769	M4H500T3D 1101757	
	600	M4H600T2D 1101770	M4H600T3D 1101758	

Specifications.....A25-A27	Trip Curve.....A35	Accessories.....D85-D113
Interruption Polarity.....A27	Dimensions.....A39	
Trip Unit.....A29	Mounting Position.....A42	

* 2 pole in a 3 pole case

Molded Case Circuit Breakers

M5 Bus Bar Connection and Lug Line/Load Side Connection

- Bus Bar Connection MCCB not sold with Bus Bar* or Terminal Lugs
- Lug Line/Load Side Connection MCCB sold with Terminal Lugs



A

Rated Amperage (A)	2 Poles*			3 Poles		
	Adjustable Thermal • Adjustable Magnetic			Adjustable Thermal • Adjustable Magnetic		
	Product	Part Number		Product	Part Number	
	Bus Bar Connection			Bus Bar Connection		
M5S (42 kA @ 480 Vac)	600	M5S600T2	1102001	M5S600T3	1102020	
	700	M5S700T2	1102002	M5S700T3	1102020	
	800	M5S800T2	1102003	M5S800T3	1102021	
M5N (65 kA @ 480 Vac)	600	M5N600T2	1102004	M5N600T3	1102022	
	700	M5N700T2	1102005	M5N700T3	1102023	
	800	M5N800T2	1102006	M5N800T3	1102024	
M5H (100 kA @ 480 Vac)	600	M5H600T2	1102007	M5H600T3	1102025	
	700	M5H700T2	1102008	M5H700T3	1102026	
	800	M5H800T2	1102009	M5H800T3	1102027	
	Lug Line/Load Side Connection			Lug Line/Load Side Connection		
M5S (42 kA @ 480 Vac)	600	M5S600T2L	1102010	M5S600T3L	1102028	
	700	M5S700T2L	1102011	M5S700T3L	1102029	
	800	M5S800T2L	1102012	M5S800T3L	1102030	
M5N (65 kA @ 480 Vac)	600	M5N600T2L	1102013	M5N600T3L	1102031	
	700	M5N700T2L	1102014	M5N700T3L	1102032	
	800	M5N800T2L	1102015	M5N800T3L	1102033	
M5H (100 kA @ 480 Vac)	600	M5H600T2L	1102016	M5H600T3L	1102034	
	700	M5H700T2L	1102017	M5H700T3L	1102035	
	800	M5H800T2L	1102018	M5H800T3L	1102036	

Specifications.....A25-A27	Trip Curve.....A36	Accessories.....D85-D113
Interruption Polarity.....A27	Dimensions.....A40	
Trip Unit.....A29	Mounting Position.....A43	

* 2 pole in a 3 pole case

Molded Case Circuit Breakers

M5 Bus Bar Connection and Lug Line/Load Side Connection

- Bus Bar Connection MCCB not sold with Bus Bar* or Terminal Lugs
- Lug Line/Load Side Connection MCCB sold with Terminal Lugs



Rated Amperage (A)	4 Poles Adjustable Thermal • Adjustable Magnetic Neutral 0% Protection			4 Poles Adjustable Thermal • Adjustable Magnetic Neutral 100% Protection		
	Product	Part Number	Product	Part Number		
	Bus Bar Connection			Bus Bar Connection		
M5S (42 kA @ 480 Vac)	600	M5S600T4	1102037	M5S600T4C	1102055	
	700	M5S700T4	1102038	M5S700T4C	1102056	
	800	M5S800T4	1102039	M5S800T4C	1102057	
M5N (65 kA @ 480 Vac)	600	M5N600T4	1102040	M5N600T4C	1102058	
	700	M5N700T4	1102041	M5N700T4C	1102059	
	800	M5N800T4	1102042	M5N800T4C	1102060	
M5H (100 kA @ 480 Vac)	600	M5H600T4	1102043	M5H600T4C	1102061	
	700	M5H700T4	1102044	M5H700T4C	1102062	
	800	M5H800T4	1102045	M5H800T4C	1102063	
Lug Line/Load Side Connection			Lug Line/Load Side Connection			
M5S (42 kA @ 480 Vac)	600	M5S600T4L	1102046	M5S600T4LC	1102064	
	700	M5S700T4L	1102047	M5S700T4LC	1102065	
	800	M5S800T4L	1102048	M5S800T4LC	1102066	
M5N (65 kA @ 480 Vac)	600	M5N600T4L	1102049	M5N600T4LC	1102067	
	700	M5N700T4L	1102050	M5N700T4LC	1102068	
	800	M5N800T4L	1102051	M5N800T4LC	1102069	
M5H (100 kA @ 480 Vac)	600	M5H600T4L	1102052	M5H600T4LC	1102070	
	700	M5H700T4L	1102053	M5H700T4LC	1102071	
	800	M5H800T4L	1102054	M5H800T4LC	1102072	

Specifications.....	A25-A27	Trip Curve.....	A36	Accessories.....	D85-D113
Interruption Polarity.....	A27	Dimensions.....	A40		
Trip Unit.....	A29	Mounting Position.....	A43		

Molded Case Circuit Breakers

M6 Bus Bar Connection and Lug Line/Load Side Connection

- Bus Bar Connection MCCB not sold with Bus Bar* or Terminal Lugs
- Lug Line/Load Side Connection MCCB sold with Terminal Lugs



A

Rated Amperage (A)		3 Poles		4 Poles	
		Electronic Trip Unit • 80% Rate Code		Electronic Trip Unit • 80% Rate Code	
		Product	Part Number	Product	Part Number
		Bus Bar Connection		Bus Bar Connection	
M6S (65kA @ 480Vac)	800	M6S800E3	1101835	M6S800E4	1101847
	1000	M6S1000E3	1101836	M6S1000E4	1101848
	1200	M6S1200E3	1101837	M6S1200E4	1101849
M6N (65 kA @ 480 Vac)	800	M6N800E3	1101838	M6N800E4	1101850
	1000	M6N1000E3	1101839	M6N1000E4	1101851
	1200	M6N1200E3	1101840	M6N1200E4	1101852
		Lug Line/ Load Side Connection		Lug Line/ Load Side Connection	
M6S (65kA @ 480Vac)	800	M6S800E3L	1101841	M6S800E4L	1101853
	1000	M6S1000E3L	1101842	M6S1000E4L	1101854
	1200	M6S1200E3L	1101843	M6S1200E4L	1101855
M6N (65 kA @ 480 Vac)	800	M6N800E3L	1101844	M6N800E4L	1101856
	1000	M6N1000E3L	1101845	M6N1000E4L	1101857
	1200	M6N1200E3L	1101846	M6N1200E4L	1101858

Specifications.....A25-A27	Trip Curve.....A36	Accessories.....D85-D113
Interruption Polarity.....A27	Dimensions.....A40	
Trip Unit.....A30	Mounting Position.....A43	

Molded Case Circuit Breakers

M6 Bus Bar Connection and Lug Line/Load Side Connection

- Bus Bar Connection MCCB not sold with Bus Bar* or Terminal Lugs
- Lug Line/Load Side Connection MCCB sold with Terminal Lugs



Rated Amperage (A)		3 Poles		4 Poles	
		Electronic Trip Unit • 100% Rate Code		Electronic Trip Unit • 100% Rate Code	
		Product	Part Number	Product	Part Number
		Bus Bar Connection		Bus Bar Connection	
M6S (42 kA @ 480 Vac)	800	M6S800E3F	1101895	M6S800E4F	1101907
	1000	M6S1000E3F	1101896	M6S1000E4F	1101908
	1200	M6S1200E3F	1101897	M6S1200E4F	1101909
M6N (65 kA @ 480 Vac)	800	M6N800E3F	1101898	M6N800E4F	1101910
	1000	M6N1000E3F	1101899	M6N1000E4F	1101911
	1200	M6N1200E3F	1101900	M6N1200E4F	1101912
		Lug Line/Load Side Connection		Lug Line/Load Side Connection	
M6S (42 kA @ 480 Vac)	800	M6S800E3LF	1101901	M6S800E4LF	1101913
	1000	M6S1000E3LF	1101902	M6S1000E4LF	1101914
	1200	M6S1200E3LF	1101903	M6S1200E4LF	1101915
M6N (65 kA @ 480 Vac)	800	M6N800E3LF	1101904	M6N800E4LF	1101916
	1000	M6N1000E3LF	1101905	M6N1000E4LF	1101917
	1200	M6N1200E3LF	1101906	M6N1200E4LF	1101918

Specifications.....	A25-A27	Trip Curve.....	A36	Accessories.....	D85-D113
Interruption Polarity.....	A27	Dimensions.....	A40		
Trip Unit.....	A30	Mounting Position.....	A43		

Molded Case Circuit Breakers

M1-M3 Specifications

		M1							M2							M3		
Rated Current (A)		15~150							100~250							225~400		
Number of Poles		1	2		2*,3				1	2		2*,3						
Breaker Type		N	S	N	H	S	N	H	N	S	N	S	N	H	S	N	H	
Rated Voltage 50/60 Hz	Vac	480	600		600**				480	600		600**						
	Vdc	250	500						250	500								
Interrupting Capacity (kA rms)																		
Circuit Breaker Ratings UL 489 CSA C22.2 (kA rms) Vac 50/60 Hz	240 Vac	50	50	100	150	50	100	150	50	50	100	50	100	150	65	100	150	
	480 Vac	10	35	65	100	35	65	100	10	35	65	35	65	100	42	65	100	
	600 Vac	-	14	20	25	14	20	25	-	14	20	14	20	25	18	25	30	
	250 Vdc 1 Pole	25	-						25	-								
	500 Vdc 2 Poles	-	20	35	50	20	35	50	-	20	35	20	35	50	35	50	65	
	600 Vdc 3 Poles	-	-			20	35	50	-	-			20	35	50	35	50	65
Circuit Breaker Ratings IEC 60947-2	220 / 240 Vac	50	50	100	150	50	100	150	50	50	100	50	100	150	65	100	150	
	380 / 415 Vac	-	5	8	10	5	8	10	-	6	10	6	10	12	10	15	20	
	660 / 690 Vac	-							-									
Ultimate Breaking Capacity (Icu = 100% Ics) (kA rms)	250 Vdc 1 Pole	25	-						25	-								
	500 Vdc 2 Poles	-	20	35	50	20	35	50	-	-			20	35	50	35	50	65
	500 Vdc 3 Poles	-	-			25	35	50	-	-			25	35	50	35	50	65
Current Rating (A) @ 104 °F (40 °C)		15~150							100~250							225~400		
Thermal-Magnetic Trip Units (Fixed)	A = Adjustable T = Thermal F = Fixed M = Magnetic	FT/ FM	15~45 FT/FM 50~150A AT/FM		15~45A FT/FM 50~100A AT/FM 125~150A AT/AM			FT/ FM	AT / AM									
Accessories																		
Alarm Switch																		
Auxiliary Contact		-	■					-	■									
Shunt Trip																		
Under-Voltage Trip																		
Handle Lock		■			■			■			■							
Flange Handle																		
Mechanical Interlock																		
Motor Operator																		
Handle Operators																		
Terminal Cover and Kits																		
Connection																		
Bus Bar Connection		■					■				■							
Lug Line/Load Side Connection																		
Plug-In																		
Rear Connection		■					■				■							
Draw-Out																		

A

* 2 pole in a 3 pole case
** 600 Vdc only available for 3 pole and 4 pole

Molded Case Circuit Breakers

M4-M6 Specifications

		M4			M5			M6	
Rated Current (A)		400~600			600~800			800~1,200	
Number of Poles		2*,3			2*,3,4			3, 4	
Breaker Type		S	N	H	S	N	H	S	N
Rated Voltage 50/60 Hz	Vac	600**						600	
	Vdc							-	
Interrupting Capacity (kA rms)									
Circuit Breaker Ratings UL 489 CSA C22.2 (kA rms) Vac 50/60 Hz	240 Vac	65	100	150	65	100	150	65	100
	480 Vac	42	65	100	42	65	100	42	65
	600 Vac	22	30	50	22	30	50	22	42
	500 Vdc 2 Poles	35	50	65	35	50	65	-	
	600 Vdc 3 Poles	35	50	65	35	50	65		
Circuit Breaker Ratings IEC 60947-2	220 / 240 Vac	65	100	150	65	100	150	65 (45)	85 (45)
	380 / 415 Vac								
Ultimate Breaking Capacity (Icu = 100% Ics) (kA rms)	660 / 690 Vac	12	15	20	12	15	20	30	30
	500 Vdc 3 Poles	35	50	65	35	50	65	-	
	500 Vdc 2 Poles	35	50	65	35	50	65		
Current Rating (A) @ 104 °F (40 °C)		400~600			600~800			800~1,200	
Thermal-Magnetic Trip Units (Fixed)	A = Adjustable T = Thermal F = Fixed M = Magnetic	AT / AM						Electronic	
Accessories									
Alarm Switch									
Auxiliary Contact									
Shunt Trip									
Under-Voltage Trip								■	
Handle Lock		■							
Flange Handle									
Mechanical Interlock									
Motor Operator									
Handle Operators								-	
Terminal Cover and Kits									
Connection									
Bus Bar Connection		■			■				
Lug Line/Load Side Connection		■			■				
Plug-In		-							
Rear Connection		■			-				
Draw-Out		■			-				

* 2 pole in a 3 pole case

** 600 Vdc only available for 3 pole and 4 pole

Molded Case Circuit Breakers

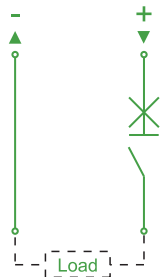
M1-M6 Specifications

	M1	M2	M3	M4	M5	M6	
Insulation Voltage (Vi)	800 Vac						
Impulse Withstand Voltage (Vimp)	8 kVac						
Operational Voltage (Ve)	IEC 690 Vac						
	UL 600 Vac						
IEC Ics (% Icu)	100%						
Utilization Category	A						
Mechanical Operating Cycles	10,000		8,000		3,000		
Electrical Operating Cycles	6,000		5,000		500		
Dimensions LxWxD in (mm)	1 Pole	6.46x1.4x3.33 (164x35x84.5)	7.17x1.57x3.47 (182x40x88)	-			
	2 Pole	6.46x2.44x3.33 (164x62x84.5)	7.17x2.95x3.47 (182x75x88)	-			
	2 Pole*	6.46x3.54x3.33 (164x90x84.5)	7.17x4.13x3.47 (182x105x88)	11.22x5.51x4.59 (285x140x116.5)	12.32x7.68x5.43 (313x195x138)	-	
	3 Pole					16.18x7.68x7.58 (411x195x192.5)	22.64x9.84x15.16 (575x250x385)
	4 Pole	-			16.18x10.2x7.58 (411x260x192.5)	22.64x12.6x15.16 (575x320x385)	
Weight of Unit lb (kg)	1 Pole	1.47 (0.67)	1.76 (0.8)	-			
	2 Pole	2.53 (1.15)	3.3 (1.5)	-			
	2 Poles*	3.17 (1.44)	3.75 (1.70)	8.97 (4.07)	20.94 (9.5)	27.8 (12.5)	-
	3 Poles	3.68 (1.67)	4.41 (2.00)	13.45 (6.1)	25.35 (11.5)	33.18 (15.05)	55.56 (25.2)
	4 Poles	-			43.43 (19.7)	69.67 (31.6)	
Cable Connection Wire 167 °F (75 °C) Cu Wire Only AWG (mm ²)	1-Hole 14-3/0 (2.5-95)	1-Hole 8 - 350 kcmil (10-185)	3/0 - 1-Hole 500 kcmil (95-240)	2-Holes (2x) 3/0 - 400 kcmil ((2x) 95-185)	2-Holes 250-600kcmil (120-300)	3-Holes 3/0-750 kcmil (95-300)	
	3-Holes 14-3/0 (2.5-6)		2-Holes 250 kcmil (35-120)		3-Holes 4/0 AWG-500 kcmil (100-250)	4-Holes 3/0-500 kcmil (95-240)	
Lugs in-lb (N.m)	89 (10)	230 (23)	310 (35)		398 (45)	310 (35)	

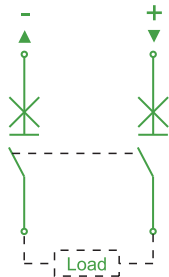
A

M1 - M5 Interruption Polarity for DC Application

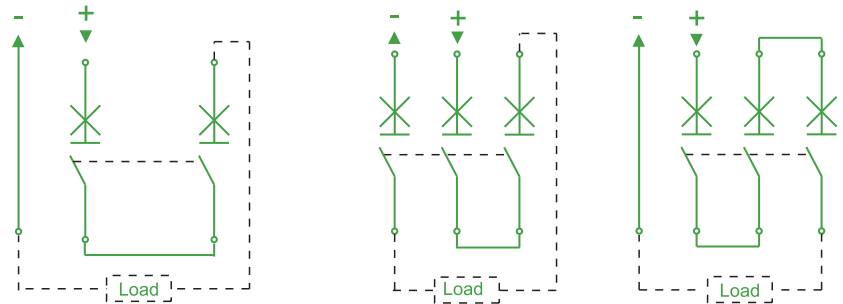
1 Pole



2 Poles



3 Poles



* 2 pole in a 3 pole case

Molded Case Circuit Breakers

M1 Trip Unit

Adjustable Thermal, Fixed Magnetic

M1 1 Pole

- Fixed Magnetic: 150~1,500 A tripping current
- Fixed Thermal: 15~150 A rated current

M1 2 Poles

- Fixed Thermal: 15~45 A rated current
- Adjustable Thermal: 50~150 A rated current
Adjustable: 0.8~1 x In
- Fixed Magnetic: 150~1,500 A tripping current

M1 3 Poles

- Fixed Thermal: 15-45A rated current
- Adjustable Thermal: 50-150A rated current
Adjustable: 0.8~1×In
- Fixed Magnetic: 150~1,000 A tripping current
- Adjustable Magnetic: 125~150 A rated current
Adjustable: 5~10 x In



M1 - 1 Pole

Fixed Thermal Overload Protection	I_R	15 A	20 A	25 A	30 A	35 A	40 A	45 A	50 A	60 A	70 A	80 A	90 A	100 A	125 A	150 A
	Fixed 1.0 x In		15	20	25	30	35	40	45	50	60	70	80	90	100	125
Fixed Magnetic Short Circuit Protection	I_i	15 A	20 A	25 A	30 A	35 A	40 A	45 A	50 A	60 A	70 A	80 A	90 A	100 A	125 A	150 A
	Fixed 10 x In		150	200	250	300	350	400	450	500	600	700	800	900	1000	1250

M1 - 2 Poles

Adjustable Thermal Overload Protection	I_R	15 A	20 A	25 A	30 A	35 A	40 A	45 A	50 A	60 A	70 A	80 A	90 A	100 A	125 A	150 A	
	0.8 x In									40	48	56	64	72	80	100	120
	0.9 x In									45	54	63	72	81	90	112.5	135
	1.0 x In									50	60	70	80	90	100	125	150
Fixed Magnetic Short Circuit Protection	I_i	15 A	20 A	25 A	30 A	35 A	40 A	45 A	50 A	60 A	70 A	80 A	90 A	100 A	125 A	150 A	
	Fixed 10 x In		150	200	250	300	350	400	450	500	600	700	800	900	1,000	1250	1500

M1 - 3 Poles

Adjustable Thermal Overload Protection	I_R	15 A	20 A	25 A	30 A	35 A	40 A	45 A	50 A	60 A	70 A	80 A	90 A	100 A	125 A	150 A	
	0.8 x In									40	48	56	64	72	80	100	120
	0.9 x In									45	54	63	72	81	90	112.5	135
	1.0 x In									50	60	70	80	90	100	125	150
Fixed Magnetic Short Circuit Protection	I_i	15 A	20 A	25 A	30 A	35 A	40 A	45 A	50 A	60 A	70 A	80 A	90 A	100 A	125 A	150 A	
	Fixed 10 x In		150	200	250	300	350	400	450	500	600	700	800	900	1,000	1250	1500
Adjustable Magnetic Short Circuit Protection	I_i	15 A	20 A	25 A	30 A	35 A	40 A	45 A	50 A	60 A	70 A	80 A	90 A	100 A	125 A	150 A	
	5 x In														625	750	
	6 x In														750	900	
	7 x In														875	1050	
	8 x In														1000	1200	
	9 x In														1125	1350	
10 x In														1250	1500		

Molded Case Circuit Breakers

M2-M5 Trip Unit

Adjustable Thermal, Adjustable Magnetic

M2 1 Pole

- Fixed Magnetic: 1,000~2,500 A tripping current
- Fixed Thermal: 100~250 A rated current



M2 2 Poles/3 Poles - M5

- Adjustable Thermal: 100~800 A rated current
Adjustable: 0.8~1 x In
- Adjustable Magnetic: 700~8,000 A tripping current
Adjustable:
M2 - 2 Poles/3 Poles 100~150 = 7~12 x In
M2 - 2 Poles/3 Poles 175~250 = 5~10 x In
M3/M4 225~600 = 5~10 x In
M5 600~800=5~10 x In

		M2 - 1 Pole						
	I_R	100 A	125 A	150 A	175 A	200 A	225 A	250 A
Fixed Thermal Overload Protection	Fixed 1.0 x In	100	125	150	175	200	225	250
Fixed Magnetic Short Circuit Protection	Fixed 10 x In	1000	1250	1500	1750	2000	2250	2500

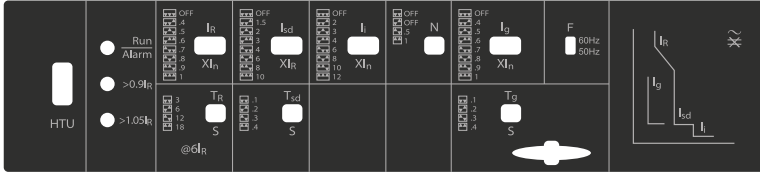
		M2 - 2 Poles/3 Pole						
	I_R	100 A	125 A	150 A	175 A	200 A	225 A	250 A
Adjustable Thermal Overload Protection	0.8 x In	80	100	120	140	160	180	200
	0.9 x In	90	112.5	135	157.5	180	202.5	225
	1.0 x In	100	125	150	175	200	225	250
Adjustable Magnetic Short Circuit Protection	I_i	100 A	125 A	150 A	175 A	200 A	225 A	250 A
	7 x In	700	875	1050				
	8 x In	800	1000	1200				
	9 x In	900	1125	1350				
	10 x In	1000	1250	1500				
	12 x In	1200	1500	1800				
Adjustable Magnetic Short Circuit Protection	I_i	100A	125A	150A	175A	200A	225A	250A
	5 x In				875	1000	1125	1250
	6 x In				1050	1200	1350	1500
	7 x In				1225	1400	1575	1750
	8 x In				1400	1600	1800	2000
	9 x In				1575	1800	2025	2250
10 x In				1750	2000	2250	2500	

		M3 - 400 A					M4 - 600 A			M5 - 800 A		
	I_R	225 A	250 A	300 A	350 A	400 A	400 A	500 A	600 A	600 A	700 A	800 A
Adjustable Thermal Overload Protection	0.8 x In	180	200	240	280	320	320	400	480	480	560	640
	0.9 x In	202.5	225	270	315	360	360	450	540	540	630	720
	1.0 x In	225	250	300	350	400	400	500	600	600	700	800
Adjustable Magnetic Short Circuit Protection	I_i	225 A	250 A	300 A	350 A	400 A	400 A	500 A	600 A	600 A	700 A	800 A
	5 x In	1,125	1,250	1,500	1,750	2,000	2,000	2,500	3,000	3,000	3,500	4,000
	6 x In	1,350	1,500	1,800	2,100	2,400	2,400	3,000	3,600	3,600	4,200	4,800
	7 x In	1,575	1,750	2,100	2,450	2,800	2,800	3,500	4,200	4,200	4,800	5,600
	8 x In	1,800	2,000	2,400	2,800	3,200	3,200	4,000	4,800	4,800	5,600	6,400
	9 x In	2,025	2,250	2,700	3,150	3,600	3,600	4,500	5,400	5,400	6,300	7,200
10 x In	2,250	2,500	3,000	3,500	4,000	4,000	5,000	6,000	6,000	7,000	8,000	

Molded Case Circuit Breakers

M6 Trip Unit

Electronic Trip Unit



These trip functions are available:

- L**=Long-time Delay: Long-time Delay Protection Current; Long-time Delay Protection Time
- S**=Short-time Delay: Short-time Delay Protection Current: Short-time Delay Protection Time
- I**=Instantaneous Trip
- G**=Ground Fault Protection Current: Short-time Delay Protection Time

Neutral Protection: Long-time Delay, Short-time Delay, Instantaneous protection

Frequency Selection available: 50 or 60 Hz

Long-time delay protection current (IR): 8 specific setting (IR): OFF, 0.4, 0.5, 0.6, 0.7, 0.8, 0.9, 1.0*I_n

Note:

Thermal memory function: protect load circuits against the affects of repeated overload conditions. When circuit breaker immediately closes after a long-time trip, and the continuous current exceeds the long-time setting value (I_r), thermal memory function will automatically reduce the trip time. Given repeated overload current, thermal memory function will make circuit breaker trip in gradually reduced time. When the load current resumes normally, thermal current function will start to reset. It will totally reset in about 1 hour. So next long-time trip time will correspond to the setting value. Thermal memory function will be cleared in OFF setting.

Long-time delay protection time (TR): 4 specific setting (TR) @6*I_R: 3s, 6s, 12s, 18s

Working Current (I)	Long-time delay protection time (TR)
≤ 1.05*I _R	≥ 2h not trip
≤ 1.3*I _R	< 1h trip
=6*I _R	3s/6s/12s/18s

Short-time delay protection current (I_{sd}): 8 specific setting (I_{sd}): OFF, 1.5, 2, 3, 4, 6, 8, 10*I_R

Short-time delay protection time (T_{sd}): 4 specific setting (T_{sd}): 0.1s, 0.2s, 0.3s, 0.4s

Instantaneous protection Current (I_i): 8 specific setting (I_i): OFF, 2, 3, 4, 6, 8, 10, 12*I_n

Neutral Protecting:

Neutral long-time delay protection, 3 specific setting I_{R(N)}: OFF, 0.5, 1

Neutral Line Short-time delay protection setting, same as power line, I_{sd(N)}

Neutral Line Instantaneous protection setting, same as power line, I_{i(N)}

Ground Fault Protection Current Setting: 8 specific setting (I_g): OFF, 0.4, 0.5, 0.6, 0.7, 0.8, 0.9, 1*I_n

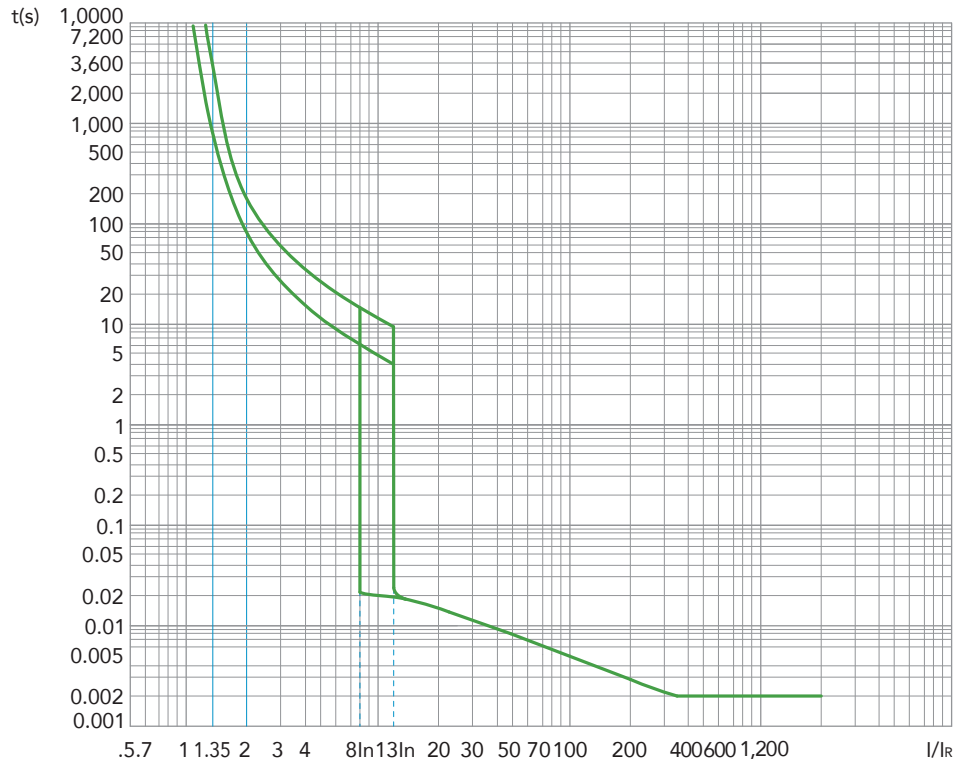
Ground Fault Protection Time Setting: 4 specific setting (T_g): 0.1s, 0.2s, 0.3s, 0.4s

Frequency Selection Setting: 2 specific setting: 50Hz, 60Hz

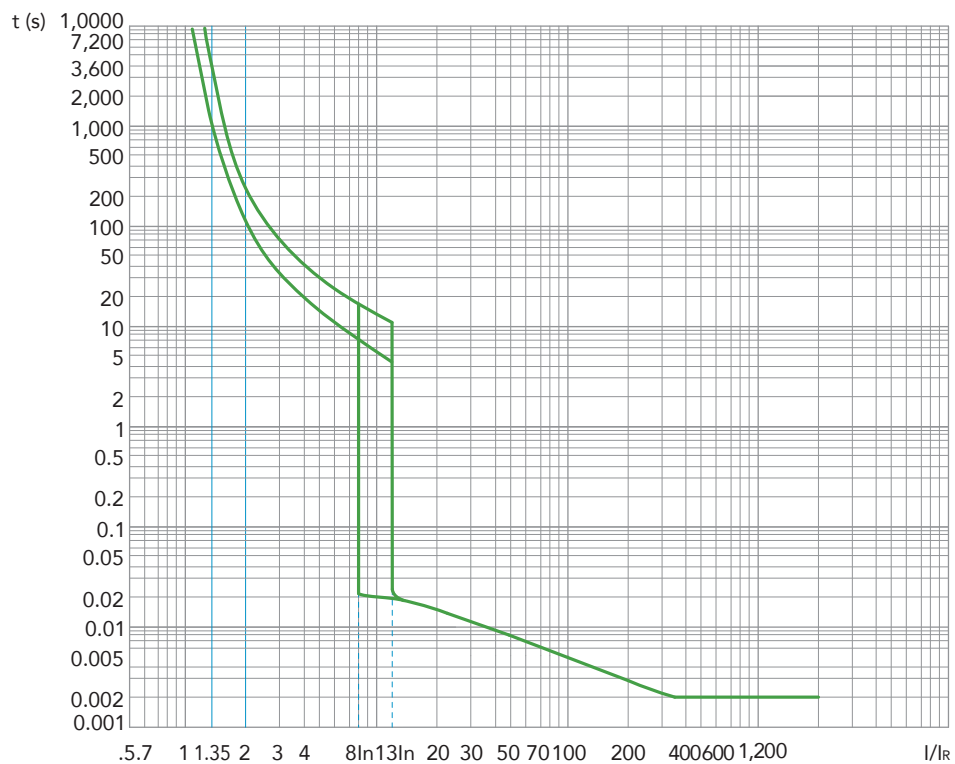
Molded Case Circuit Breakers

M1 Trip Curves

M1
(15~35 A)



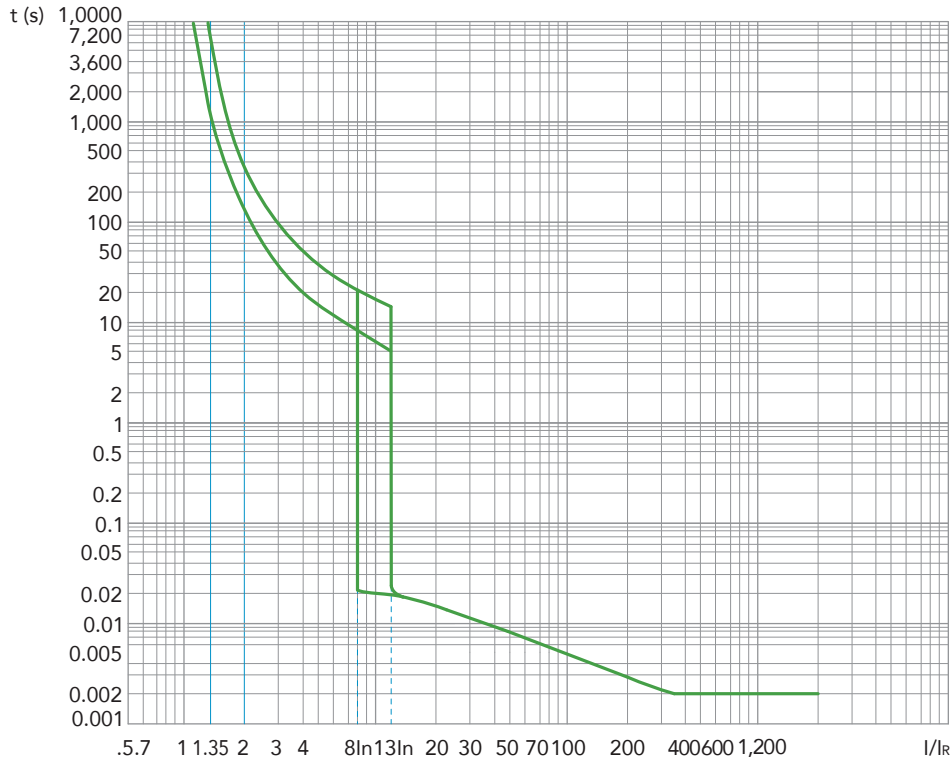
M1
(40~50 A)



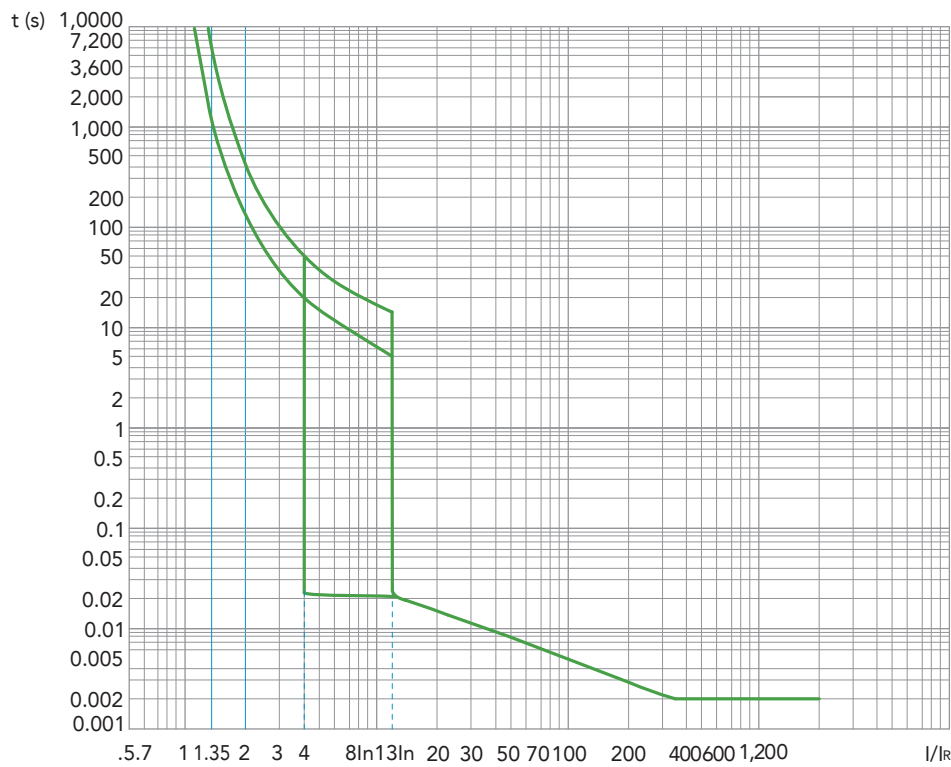
Molded Case Circuit Breakers

M1 Trip Curves

M1
(60~100 A)



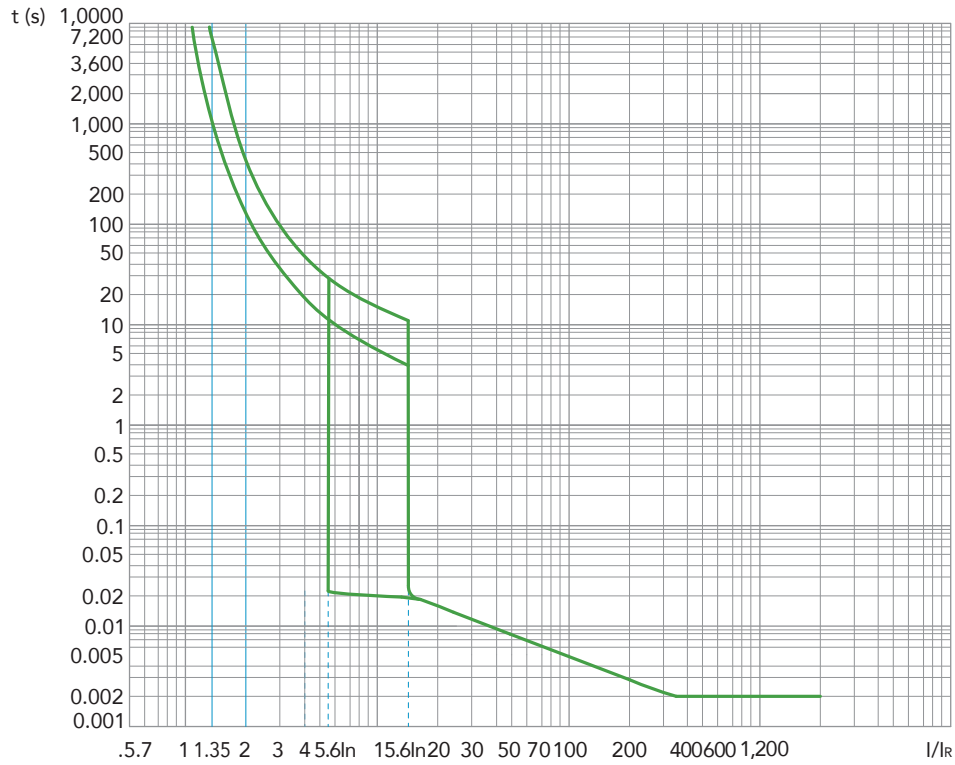
M1
(125~150 A)



Molded Case Circuit Breakers

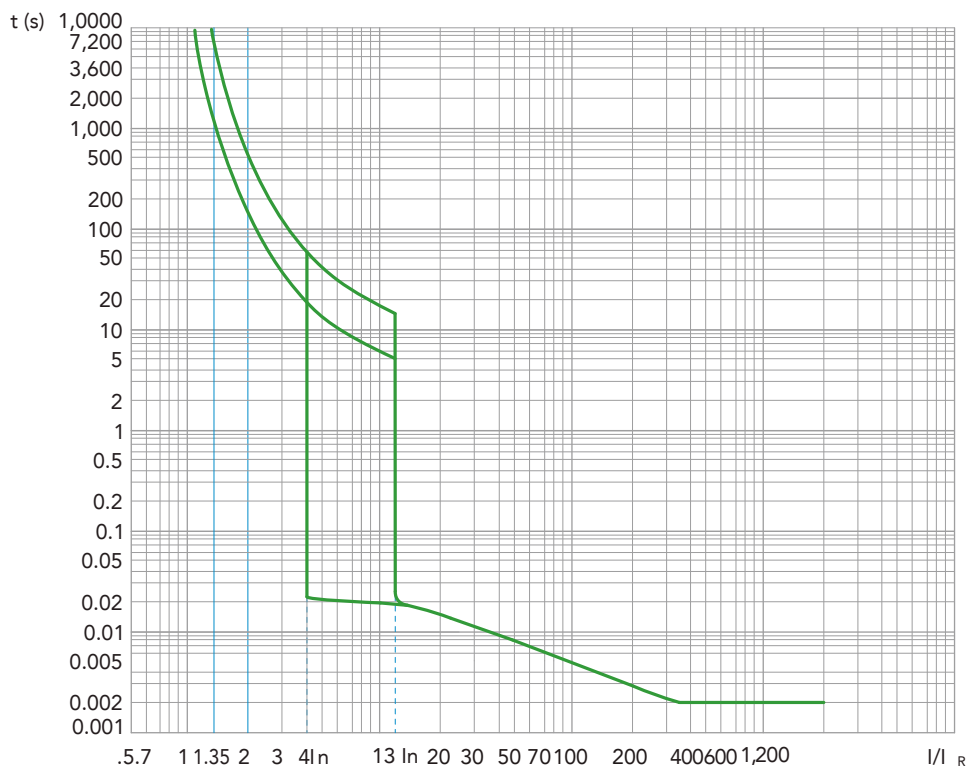
M2 Trip Curves

M2
(100~150 A)



A

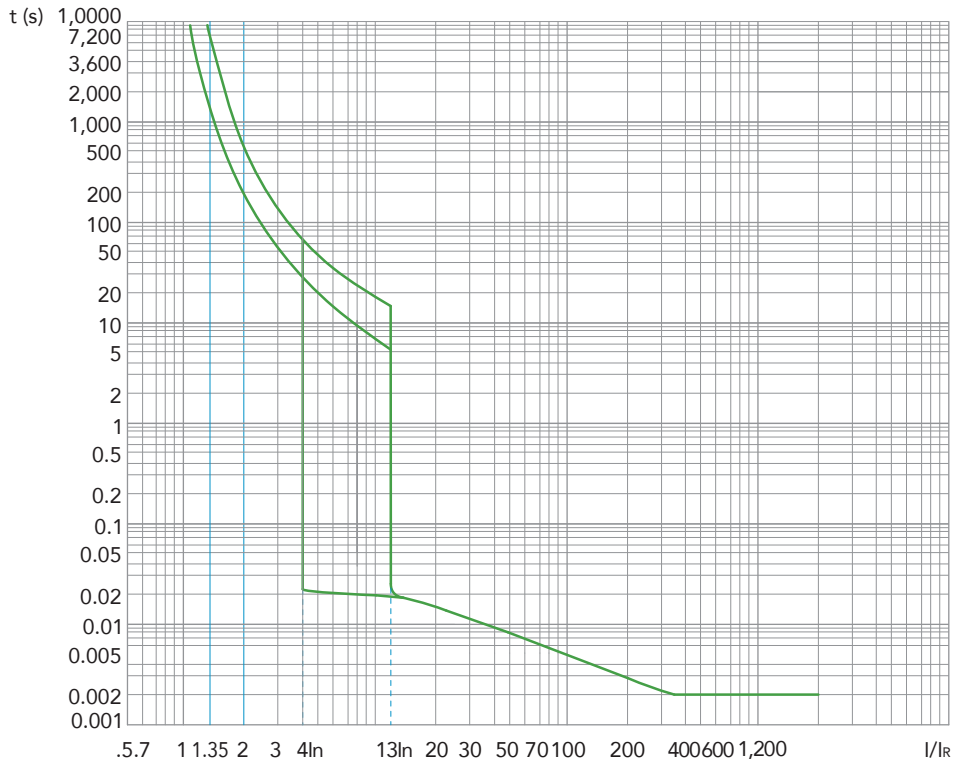
M2
(175~250 A)



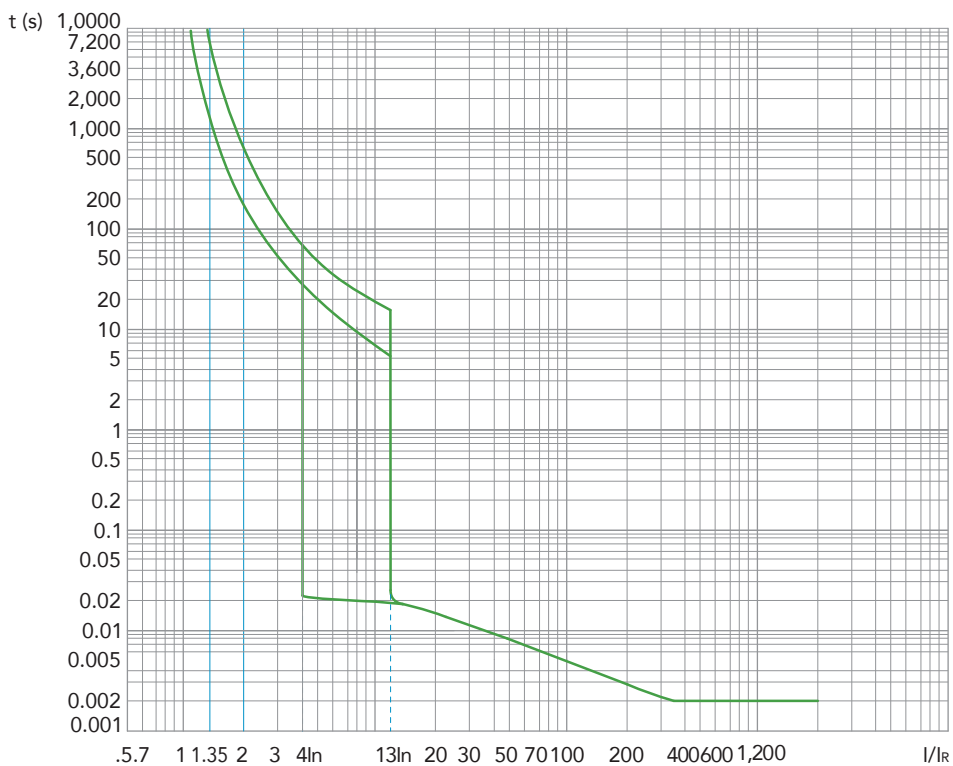
Molded Case Circuit Breakers

M3 Trip Curves

M3
(225~350 A)



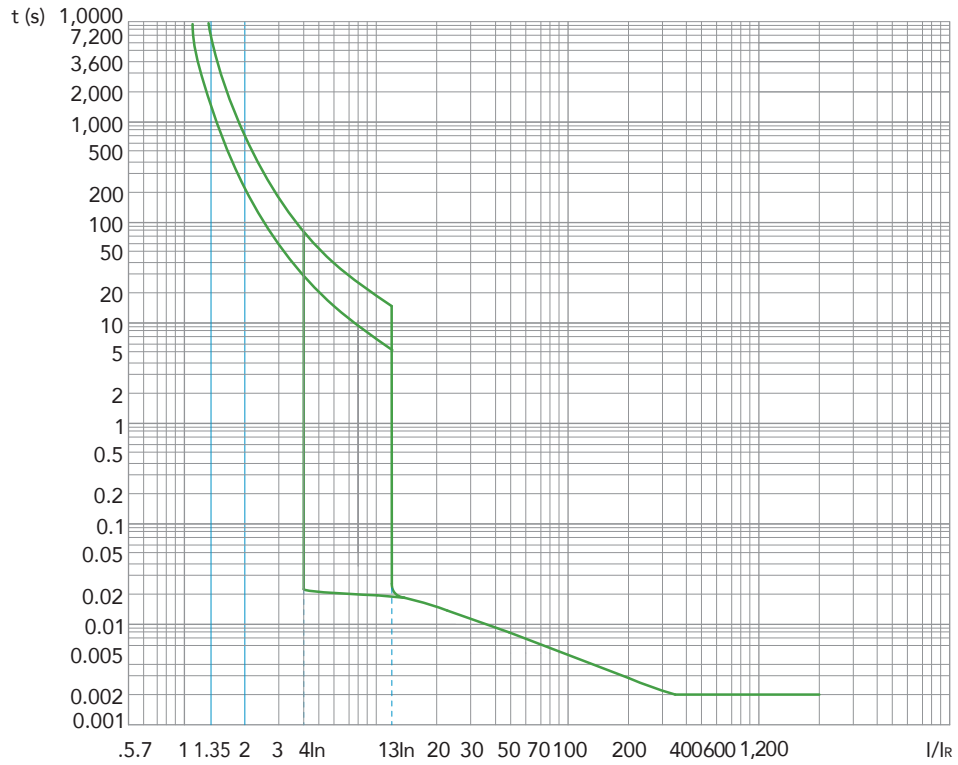
M3
(400 A)



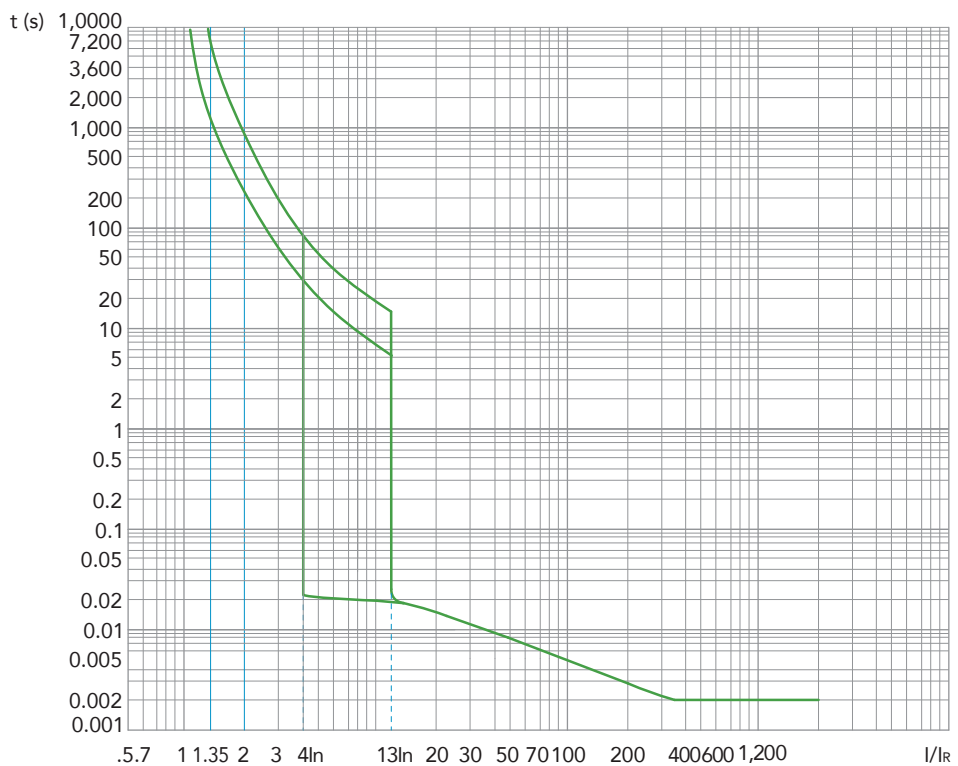
Molded Case Circuit Breakers

M4 Trip Curves

M4
(400 A)



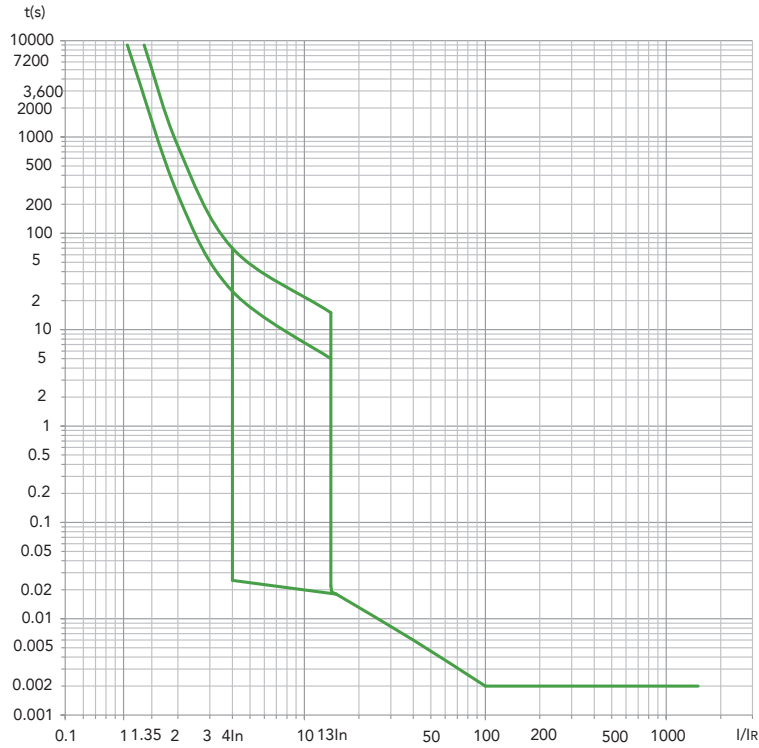
M4
(500~600 A)



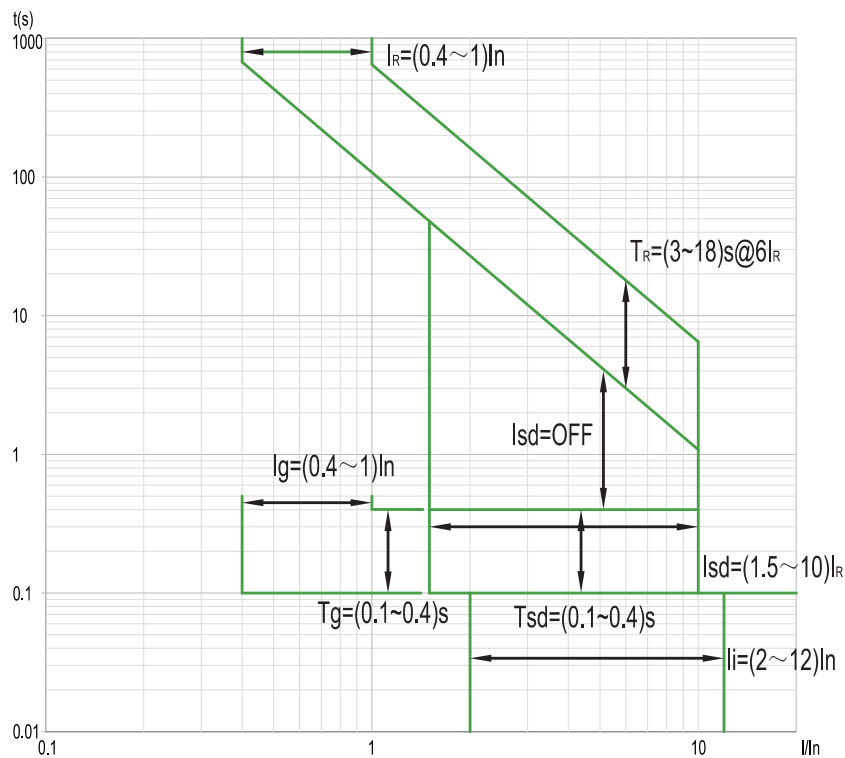
Molded Case Circuit Breakers

M5-M6 Trip Curves

M5 (600~800A)



M6 (800~1200 A)

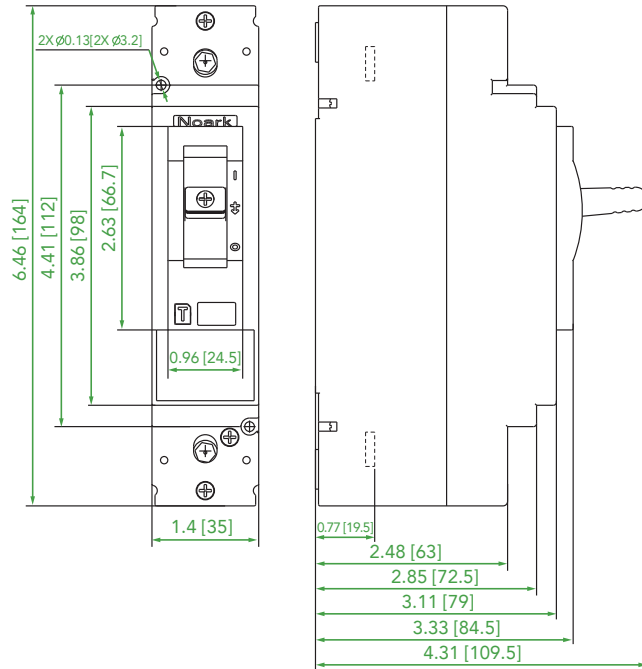


M Series Dimensions

M1/M1M/M1D Dimensions

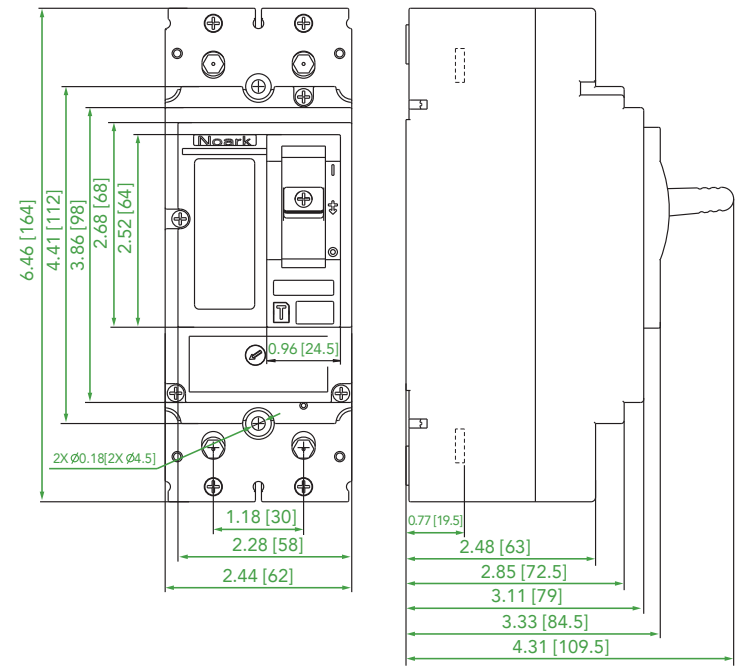
M1 1 Pole

Unit: in [mm]



M1 2 Pole

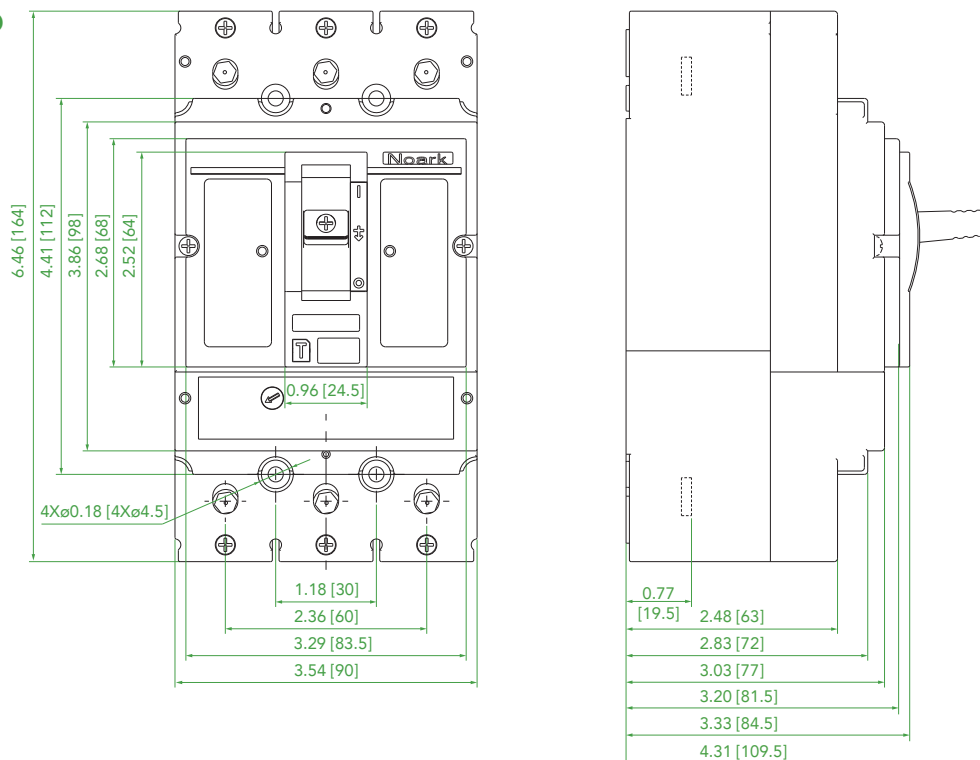
Unit: in [mm]



A

M1/M1M/M1D

Unit: in [mm]

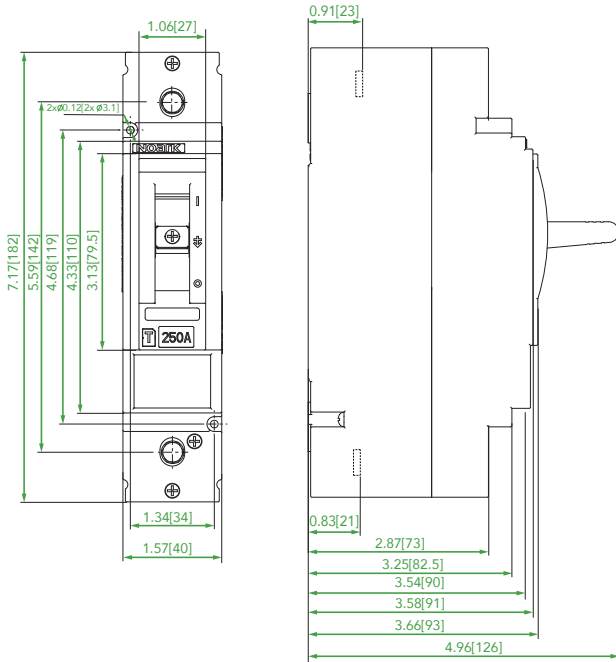


M Series Dimensions

M1/M1M/M1D Dimensions

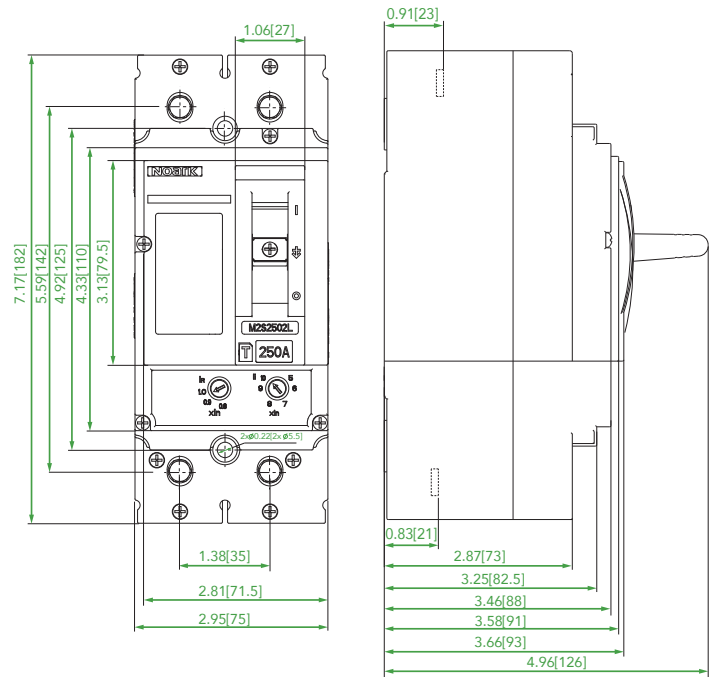
M2 1 Pole

Unit: in [mm]



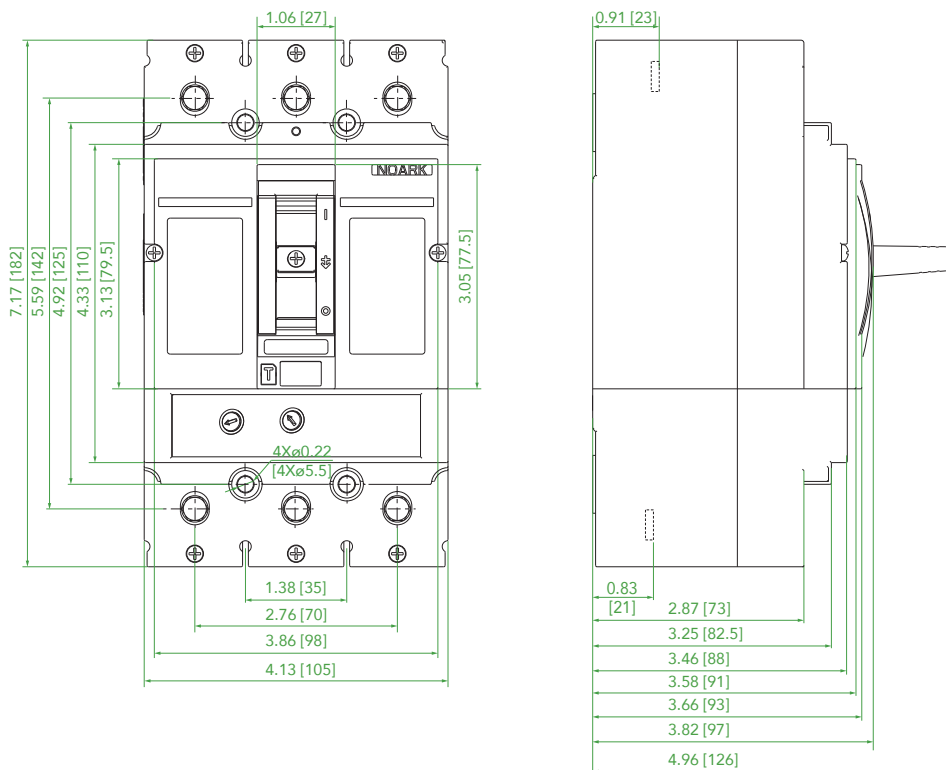
M2 2 Pole

Unit: in [mm]



M2M/M2M/M2D

Unit: in [mm]

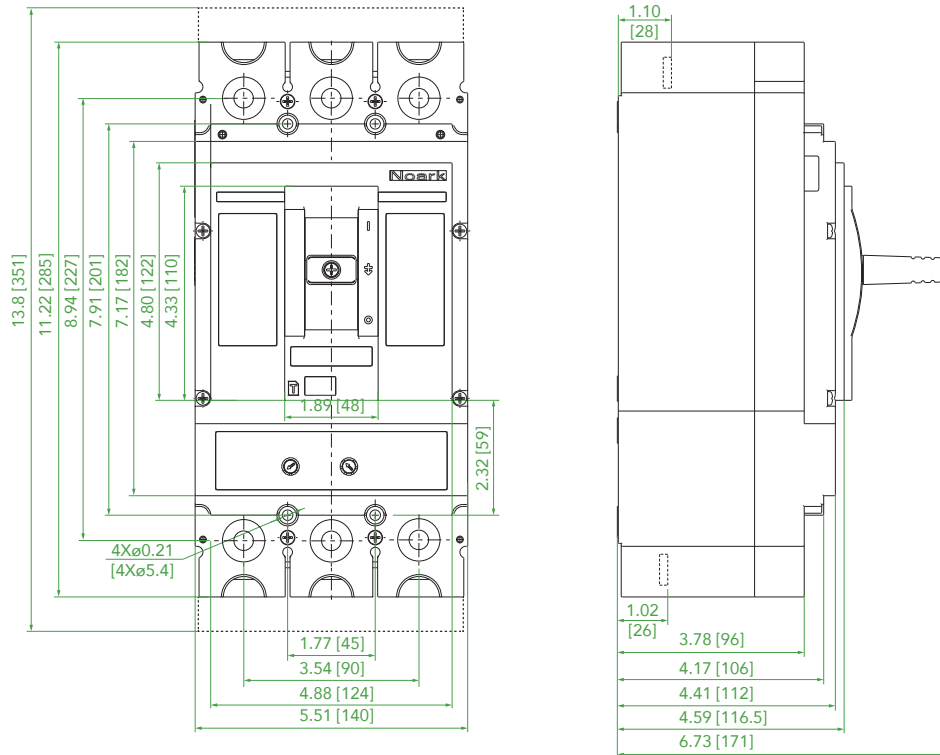


M Series Dimensions

M3/M3M/M3D-M4/M4M/M4D Dimensions

M3/M3M/M3D

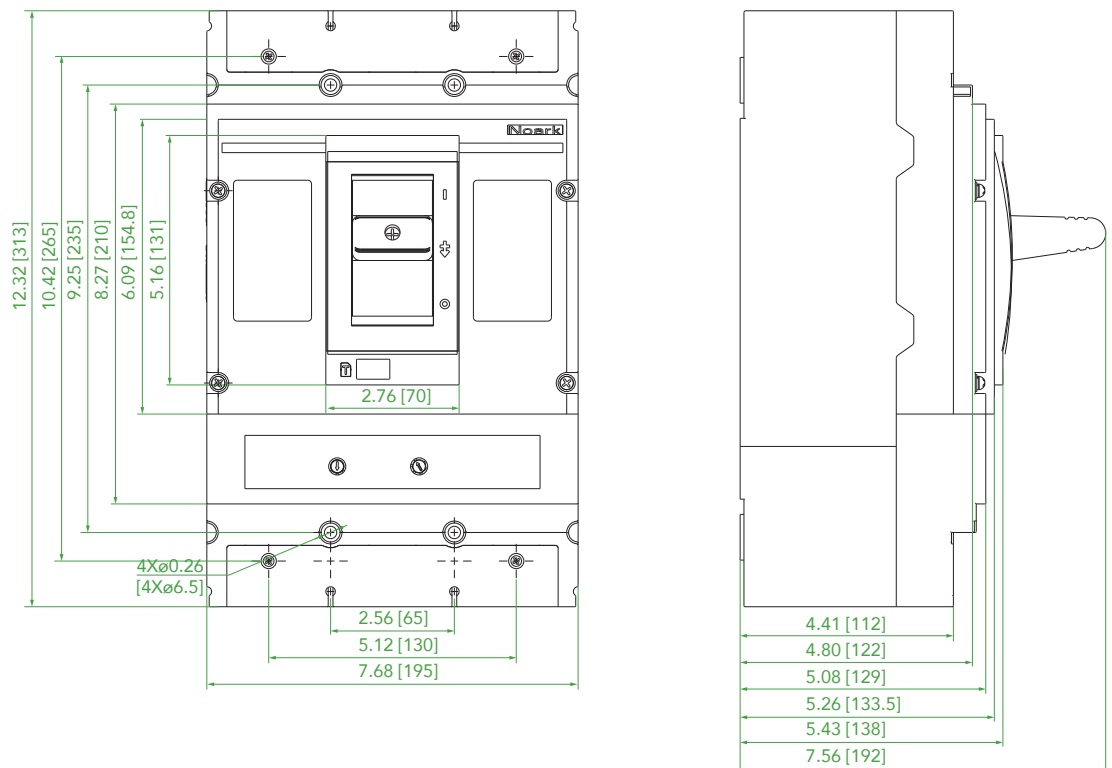
Unit: in [mm]



A

M4/M4M/M4D

Unit: in [mm]



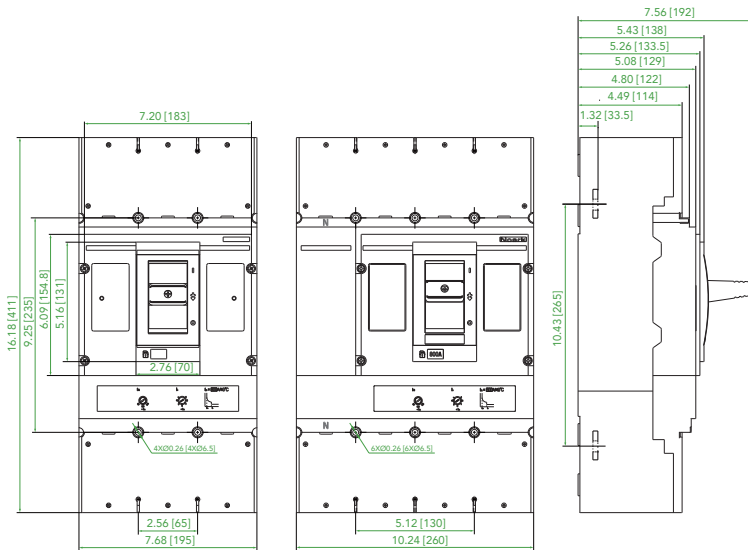
M Series Dimensions

M5/M5M/M5D-M6/M6M/M6D Dimensions

M5/M5D/M5M

2P, 3P, 4P

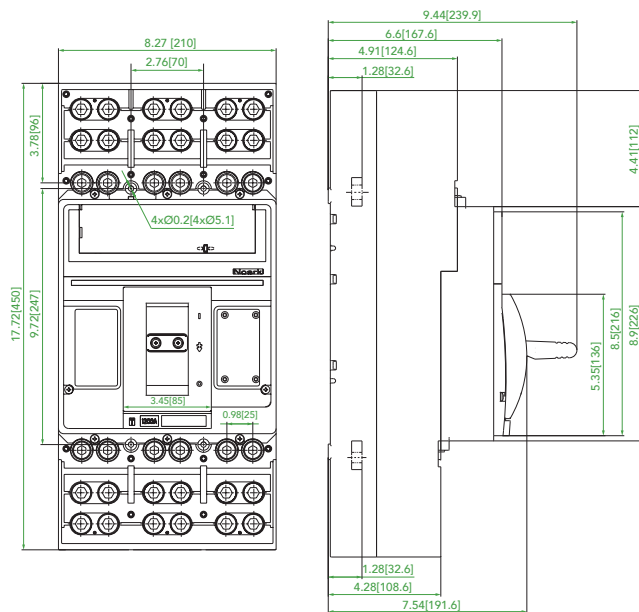
Unit: in [mm]



M6/M6D/M6M

3P

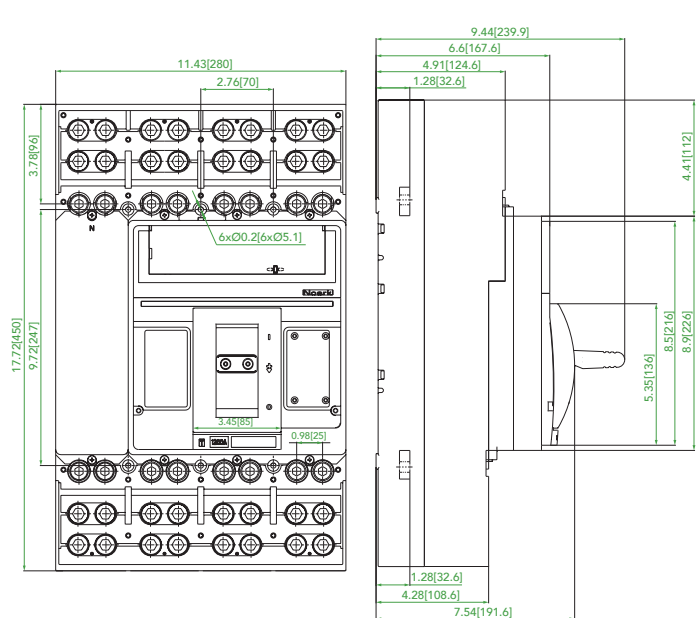
Unit: in [mm]



M6/M6D/M6M

4P

Unit: in [mm]

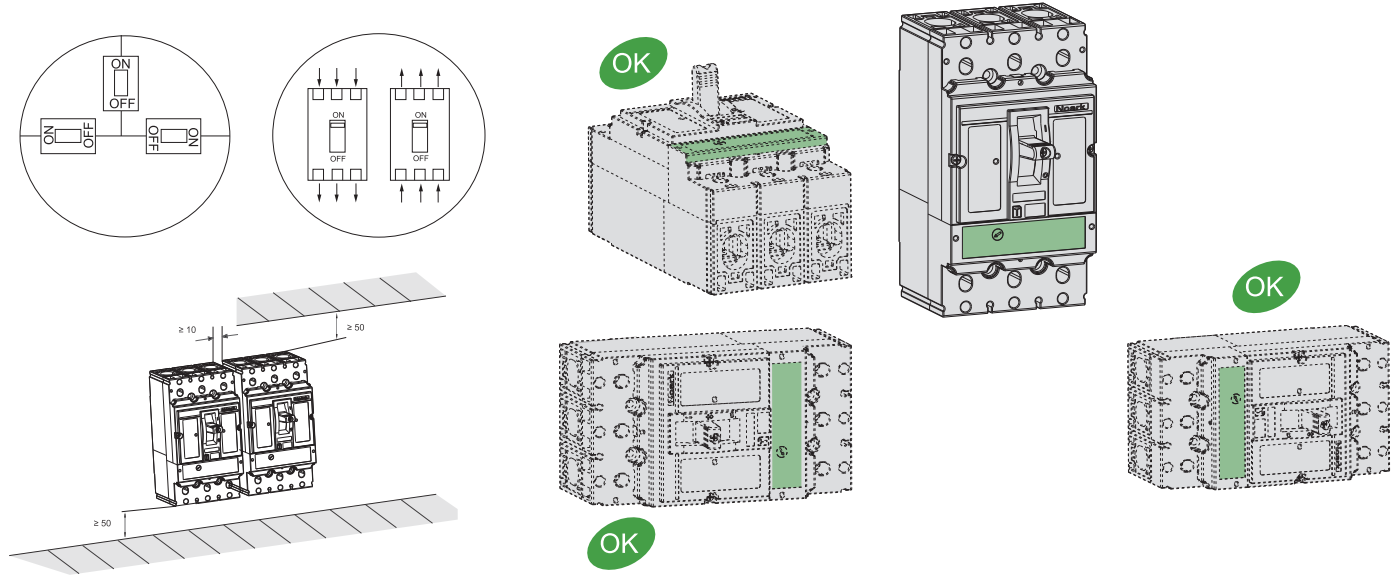


M Series Mounting Positions

M1/M1M/M1D-M2/M2M/M2D Mounting Positions

M1/M1M/M1D

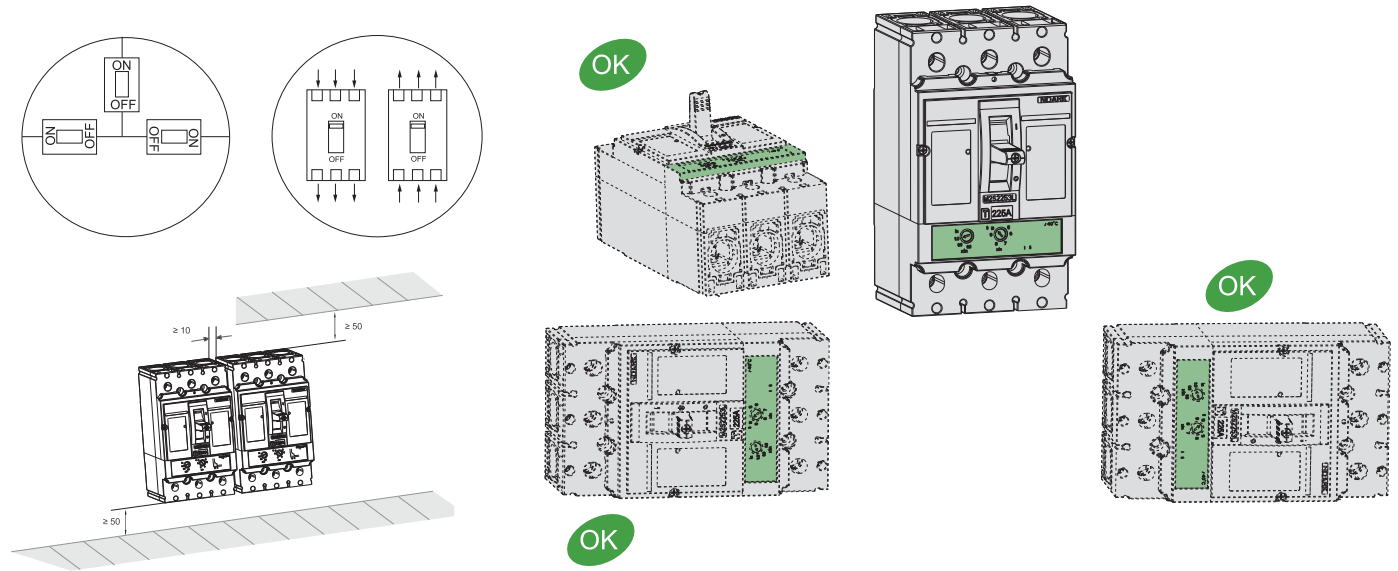
Reverse Feed Allowed



A

M2/M2M/M2D

Reverse Feed Allowed

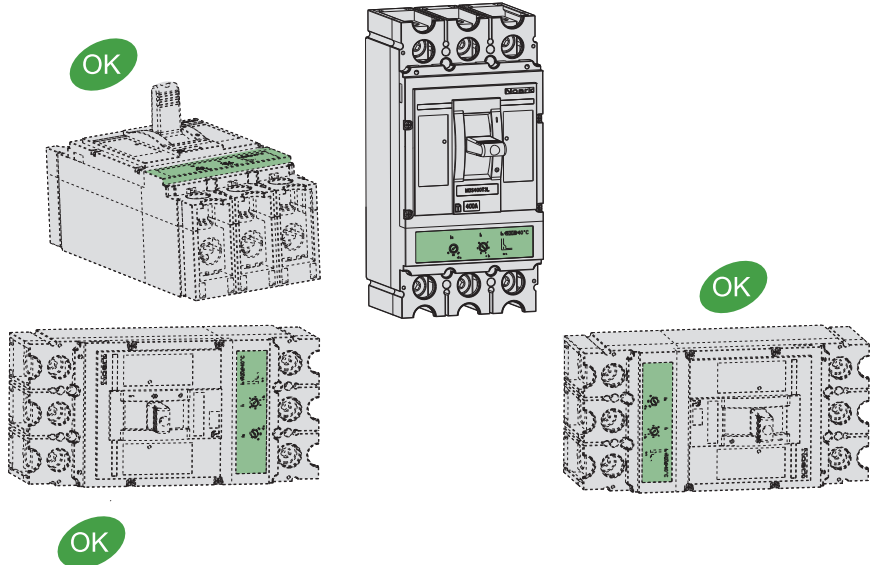
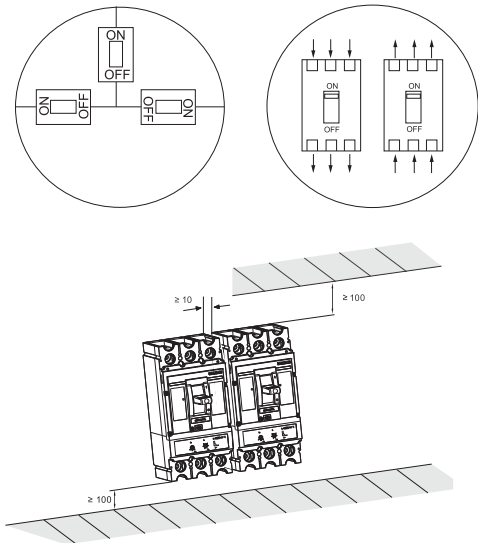


M Series Mounting Positions

M3/M3M/M3D-M4/M4M/M4D Mounting Positions

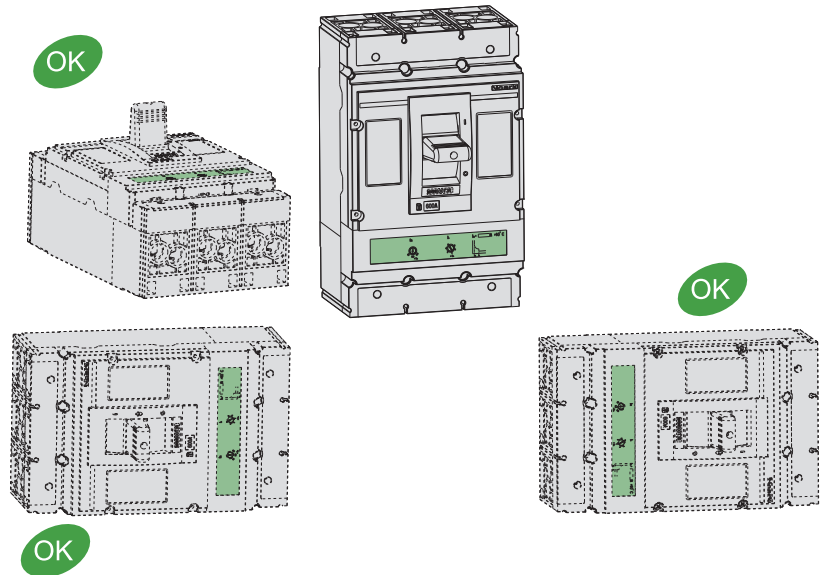
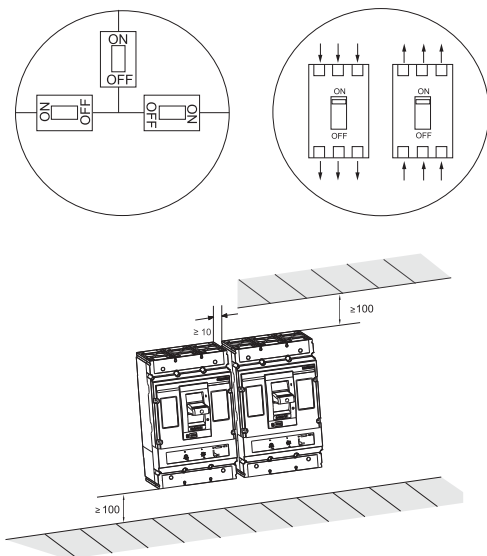
M3/M3M/M3D

Reverse Feed Allowed



M4/M4M/M4D

Reverse Feed Allowed

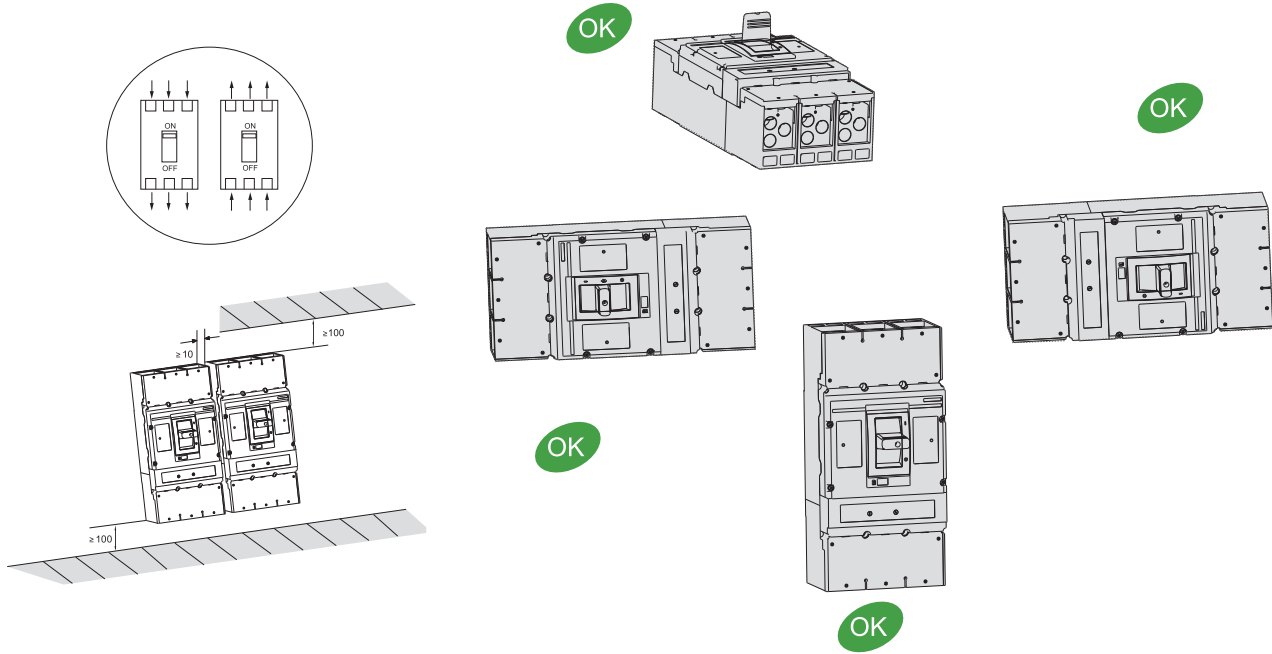


M Series Mounting Positions

M5/M5M/M5D-M6/M6M/M6D Mounting Positions

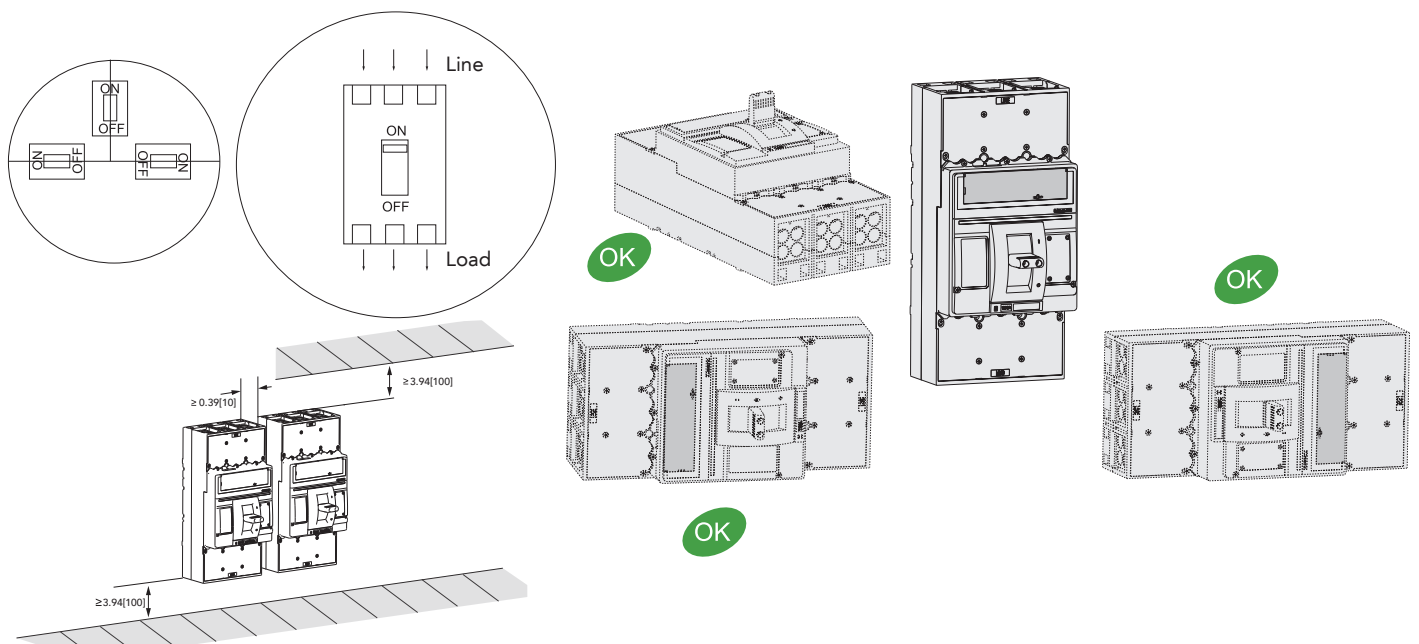
M5/M5M/M5D

Reverse Feed Allowed



A

M6/M6M/M6D



Molded Case Motor Circuit Protectors

M1M-M6M Product Overview

Features

B

Ex9 Series - M Molded Case Motor Circuit Protectors, 3~1200 A

NOARK Electric offers a complete range of 3 pole Molded Case Motor Circuit Protectors (MCPs, magnetic only) which are used to protect the three phase asynchronous motors in six frame sizes: M1M - 150 A, M2M - 250 A, M3M - 400 A, M4M - 600 A, M5M - 800 A, and M6M - 1,200 A. Each frame size offers a range of interrupting voltage ratings from 240-690 Vac. This series MCP conforms to global standards that include UL 489, CSA C22.2 No 5 and IEC 60947-2.

The traditional system used for this purpose is based on three different devices: a circuit breaker for protection against short-circuit, a thermal relay for protection against overload and phase loss or unbalance of phase, and a contactor for motor switching.

In particular, when selecting these devices, different factors must be taken into consideration, such as:

- The motor power
- The diagram and type of starting
- The type of motor: with cage rotor or with wound rotor
- The fault current at the point of the network where the motor is installed

Molded Case Motor Circuit Protectors

M1M-M6M National and International Standards

Certifications

- UL 489 Recognized, File Number E355392
(Standard for connection terminals which allows the user to apply field wiring directly to the breaker)
- Certified for Canada according to CSA standards 22.2 No. 5
- IEC/EN 60947-2
- CE Compliant
- RoHS Compliant

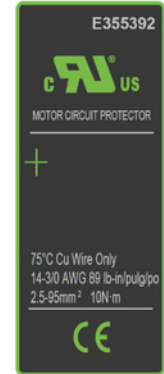
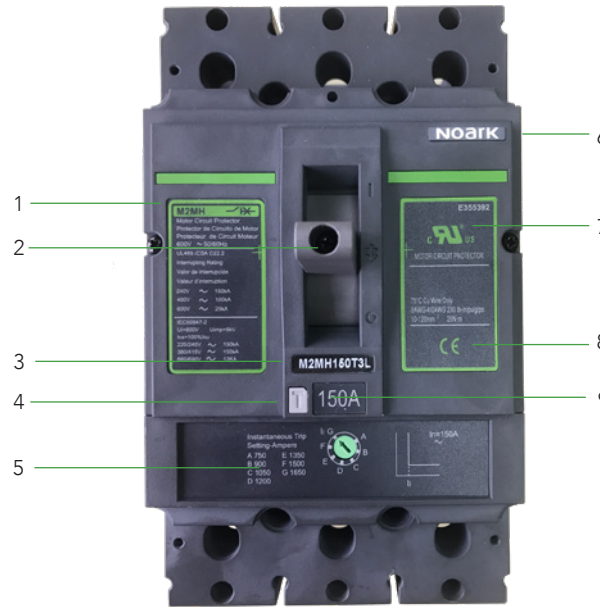
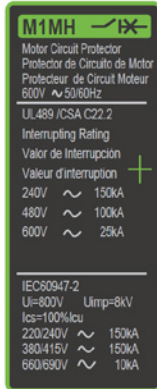


Molded Case Motor Circuit Protectors

M1M-M6M Product Selection Guide

Label

B



1. Product Series
2. Handle
3. Product Selection
4. Test Button
5. Instantaneous Trip

6. Brand
7. UL Listed Mark
8. CE Mark
9. Rated Current

Product Selection Guide

M	1	M	S	100	T	3	L	F [†]
NOARK Ex9 Series - M	Frame Size	Type	Interrupting Rating	Amperage	Trip Unit	Pole	Terminal Option	Rate Code
	1: 150 A 2: 250 A 3: 400 A 4: 600 A 5: 800 A 6: 1200 A	M: Motor Protection Type	S: Up to 50kA @ 240Vac (M1/M2) 65 kA @ 240Vac (M3/M4/M5/M6) 42kA @ 480Vac 22kA @ 600Vac N: 100 kA @ 240Vac Up to 65kA @ 480Vac 30kA @ 600Vac H: 150 kA @ 240Vac ** 100kA @ 480Vac Up to 50kA @ 600Vac	M1: 3~150 A M2: 250 A M3: 400 A M4: 600 A M5: 800A M6: 1200 A	T: Magnetic Only E: Electronic (M6 only)	3: 3 Poles	Blank: Bus Bar Connection L: Lug Line/Load Side Connection (Standard configuration for M1: 1 hole, M2: 1 hole, M3: 1 hole, M4: 2 hole, M5: 600A, 700A 2 hole, M5: 800A 3 hole, M6: 800A, 1000A 3 hole, M6: 1200A 4 hole)	Blank: Standard MCCB (80% Rated) F: 100% Rated MCCB

*: Used for M1-M4
 **: Used for M1-M5
 †: M6 only

Molded Case Motor Circuit Protectors

M1M - Bus Bar Connection

- Bus Bar Connection MCP not sold with Bus Bar* or Terminal Lugs



Continuous Amperes	Cam Setting	Full Load Current Amperes	MCP Trip Setting	S Interrupting - Bus Bar Connection		N Interrupting - Bus Bar Connection		H Interrupting - Bus Bar Connection	
				35kA @ 480 Vac		65kA @ 240 Vac		100kA @ 240 Vac	
				SKU	Part Number	SKU	Part Number	SKU	Part Number
3	A	1.6~1.7	21	M1MS03T3	1102126	M1MN03T3	1102127	M1MH03T3	1102128
	B	1.8~1.9	24						
	C	2.0~2.2	27						
	D	2.3~2.4	30						
	E	2.5~2.6	33						
7	A	2.7~3.1	35	M1MS07T3	1102129	M1MN07T3	1102130	M1MH07T3	1102131
	B	3.2~3.6	42						
	C	3.7~4.2	49						
	D	4.3~4.7	56						
	E	4.8~5.2	63						
	F	5.3~5.8	70						
15	A	5.7-6.8	75	M1MS15T3	1101400	M1MN15T3	1101406	M1MH15T3	1101412
	B	6.9-7.9	90						
	C	8.0-9.1	105						
	D	9.2-10.3	120						
	E	10.4-11.4	135						
	F	11.5-12.6	150						
30	A	11.5-13.7	150	M1MS30T3	1101401	M1MN30T3	1101407	M1MH30T3	1101413
	B	13.8-16.0	180						
	C	16.1-18.3	210						
	D	18.4-20.6	240						
	E	20.7-22.9	270						
	F	23.0-25.2	300						
	G	25.3-26.1	330						
50	A	19.2-22.9	250	M1MS50T3	1101402	M1MN50T3	1101408	M1MH50T3	1101414
	B	23.0-26.8	300						
	C	26.9-30.6	350						
	D	30.7-34.5	400						
	E	34.6-38.3	450						
	F	38.4-42.1	500						
	G	42.2-43.5	550						

Specifications.....B62
 Interruption Polarity.....A27
 Trip Unit.....B63

Trip Curve.....B60
 Dimensions.....A37
 Mounting Position.....A41

Accessories.....D85-D113

*NOTE: Bus Bar Connection not available through NOARK Electric.

Molded Case Motor Circuit Protectors

M1M - Bus Bar Connection

- Bus Bar Connection MCP not sold with Bus Bar* or Terminal Lugs



B

Continuous Amperes	Cam Setting	Full Load Current Amperes	MCP Trip Setting	S Interrupting - Bus Bar Connection		N Interrupting - Bus Bar Connection		H Interrupting - Bus Bar Connection	
				35kA @ 480 Vac		65kA @ 240 Vac		100kA @ 240 Vac	
				SKU	Part Number	SKU	Part Number	SKU	Part Number
70	A	26.9-32.2	350	M1MS70T3	1101403	M1MN70T3	1101409	M1MH70T3	1101415
	B	23.0-26.8	420						
	C	37.6-42.9	490						
	D	30.7-34.5	560						
	E	48.4-53.7	630						
	F	53.8-59.1	700						
	G	59.2-60.9	770						
100	A	38.4-46.0	500	M1MS100T3	1101405	M1MN100T3	1101411	M1MH100T3	1101417
	B	46.1-53.7	600						
	C	53.8-61.4	700						
	D	61.5-69.1	800						
	E	69.2-76.8	900						
	F	76.9-84.5	1000						
	G	84.6-87.0	1100						
150	A	57.7~69.1	750	M1MS150T3	1102135	M1MN150T3	1102136	M1MH150T3	1102137
	B	69.2~80.6	900						
	C	80.7~92.2	1050						
	D	92.3~103.7	1200						
	E	103.8~115.2	1350						
	F	115.3~126.7	1500						
	G	126.9~130.5	1650						

Specifications.....	B62	Trip Curve.....	B60	Accessories.....	D85-D113
Interruption Polarity.....	A27	Dimensions.....	A37		
Trip Unit.....	B58	Mounting Position.....	A41		

Molded Case Motor Circuit Protectors

M1M - Lug Line/Load Side Connection

- Lug Line/Load Side Connection
MCP sold with Terminal Lugs



Continuous Amperes	Cam Setting	Full Load Current Amperes	MCP Trip Setting	S Interrupting - Lug Line/Load Side		N Interrupting - Lug Line/Load Side		H Interrupting - Lug Line/Load Side	
				35kA @ 480 Vac		65kA @ 480 Vac		100kA @ 480 Vac	
				SKU	Part Number	SKU	Part Number	SKU	Part Number
3	A	1.6~1.7	21	M1MS03T3L	1102138	M1MN03T3L	1102139	M1MH03T3L	1102140
	B	1.8~1.9	24						
	C	2.0~2.2	27						
	D	2.3~2.4	30						
	E	2.5~2.6	33						
7	A	2.7~3.1	35	M1MS07T3L	1102141	M1MN07T3L	1102142	M1MH07T3L	1102143
	B	3.2~3.6	42						
	C	3.7~4.2	49						
	D	4.3~4.7	56						
	E	4.8~5.2	63						
	F	5.3~5.8	70						
15	A	5.7~6.8	75	M1MS15T3L	1101418	M1MN15T3L	1101424	M1MH15T3L	1101430
	B	6.9~7.9	90						
	C	8.0~9.1	105						
	D	9.2~10.3	120						
	E	10.4~11.4	135						
	F	11.5~12.6	150						
30	A	11.5-13.7	150	M1MS30T3L	1101419	M1MN30T3L	1101425	M1MH30T3L	1101431
	B	13.8-16.0	180						
	C	16.1-18.3	210						
	D	18.4-20.6	240						
	E	20.7-22.9	270						
	F	23.0-25.2	300						
	G	25.3-26.1	330						
50	A	19.2-22.9	250	M1MS50T3L	1101420	M1MN50T3L	1101426	M1MH50T3L	1101432
	B	23.0-26.8	300						
	C	26.9-30.6	350						
	D	30.7-34.5	400						
	E	34.6-38.3	450						
	F	38.4-42.1	500						
	G	42.2-43.5	550						

Specifications.....B62
 Interruption PolarityA27
 Trip Unit.....B63

Trip Curve.....B65
 DimensionsA37
 Mounting Position.....A41

AccessoriesD85-D113

Molded Case Motor Circuit Protectors

M1M - Lug Line/Load Side Connection

- Lug Line/Load Side Connection
MCP sold with Terminal Lugs



B

Continuous Amperes	Cam Setting	Full Load Current Amperes	MCP Trip Setting	S Interrupting - Lug Line/Load Side		N Interrupting - Lug Line/Load Side		H Interrupting - Lug Line/Load Side	
				35kA @ 480 Vac		65kA @ 480 Vac		100kA @ 480 Vac	
				SKU	Part Number	SKU	Part Number	SKU	Part Number
70	A	26.9-32.2	350	M1MS70T3L	1101421	M1MN70T3L	1101427	M1MH70T3L	1101433
	B	32.3-37.6	420						
	C	37.7-43.0	490						
	D	43.1-48.4	560						
	E	48.5-53.7	630						
	F	53.8-59.1	700						
	G	59.2-60.9	770						
100	A	38.4-46.0	500	M1MS100T3L	1101423	M1MN100T3L	1101429	M1MH100T3L	1101435
	B	46.1-53.7	600						
	C	53.8-61.4	700						
	D	61.5-69.1	800						
	E	69.2-76.8	900						
	F	76.9-84.5	1000						
	G	84.6-87.0	1100						
150	A	57.7~69.1	750	M1MS150T3L	1102147	M1MN150T3L	1102148	M1MH150T3L	1102149
	B	69.2~80.6	900						
	C	80.7~92.2	1050						
	D	92.3~103.7	1200						
	E	103.8~115.2	1350						
	F	115.3~126.7	1500						
	G	126.9~130.5	1650						

Specifications.....	B62	Trip Curve.....	B65	Accessories.....	D85-D113
Interruption Polarity.....	A27	Dimensions.....	A37		
Trip Unit.....	B63	Mounting Position.....	A41		

Molded Case Motor Circuit Protectors

M2M - Bus Bar Connection

- Bus Bar Connection MCP not sold with Bus Bar* or Terminal Lugs



Continuous Amperes	Cam Setting	Full Load Current Amperes	MCP Trip Setting	S Interrupting - Bus Bar Connection		N Interrupting - Bus Bar Connection		H Interrupting - Bus Bar Connection	
				35kA @ 480 Vac		65kA @ 480 Vac		100kA @ 480 Vac	
				SKU	Part Number	SKU	Part Number	SKU	Part Number
250	A	96.2-115.3	1250	M2MS250T3	1101995	M2MN250T3	1101996	M2MH250T3	1101997
	B	115.4-134.5	1500						
	C	134.6-153.7	1750						
	D	153.8-173.0	2000						
	E	173.1-192.2	2250						
	F	192.3-211.4	2500						
	G	211.5-217.6	2750						

Specifications.....	B62	Trip Curve.....	B66	Accessories.....	D85-D113
Interruption Polarity.....	A27	Dimensions.....	A38		
Trip Unit.....	B63	Mounting Position.....	A41		

Molded Case Motor Circuit Protectors

M2M - Lug Line/Load Side Connection

- Lug Line/Load Side Connection
MCP sold with Terminal Lugs



B

Continuous Amperes	Cam Setting	Full Load Current Amperes	MCP Trip Setting	S Interrupting - Lug Line/Load Side		N Interrupting - Lug Line/Load Side		H Interrupting - Lug Line/Load Side	
				35kA @ 480 Vac		65kA @ 480 Vac		100kA @ 480 Vac	
				SKU	Part Number	SKU	Part Number	SKU	Part Number
250	A	96.2-115.3	1250	M2MS250T3L	1101998	M2MN250T3L	101999	M2MH250T3L	102000
	B	115.4-134.5	1500						
	C	134.6-153.7	1750						
	D	153.8-173.0	2000						
	E	173.1-192.2	2250						
	F	192.3-211.4	2500						
	G	211.5-217.6	2750						

Specifications.....B62	Trip Curve.....B66	Accessories.....D80-108
Interruption Polarity.....A27	Dimensions.....A38	
Trip Unit.....B63	Mounting Position.....A41	

Molded Case Motor Circuit Protectors

M3M - Bus Bar Connection

- Bus Bar Connection MCP not sold with Bus Bar* or Terminal Lugs



Continuous Amperes	Cam Setting	Full Load Current Amperes	MCP Trip Setting	S Interrupting - Bus Bar Connection		N Interrupting - Bus Bar Connection		H Interrupting - Bus Bar Connection	
				42kA @ 480 Vac		65kA @ 480 Vac		100kA @ 480 Vac	
				SKU	Part Number	SKU	Part Number	SKU	Part Number
400	A	153.8-184.5	2000	M3MS400T3	1101476	M3MN400T3	1101481	M3MH400T3	1101486
	B	184.6-215.3	2400						
	C	215.4-246.0	2800						
	D	246.1-276.8	3200						
	E	276.9-307.6	3600						
	F	307.7-338.4	4000						
	G	338.5-348.1	4400						

Specifications.....	B62	Trip Curve.....	B67	Accessories.....	D85-D113
Interruption Polarity.....	A27	Dimensions.....	A39		
Trip Unit.....	B63	Mounting Position.....	A42		

Molded Case Motor Circuit Protectors

M3M - Lug Line/Load Side Connection

- Lug Line/Load Side Connection
MCP sold with Terminal Lugs



B

Continuous Amperes	Cam Setting	Full Load Current Amperes	MCP Trip Setting	S Interrupting - Lug Line/Load Side		N Interrupting - Lug Line/Load Side		H Interrupting - Lug Line/Load Side	
				42kA @ 480 Vac		65kA @ 480 Vac		100kA @ 480 Vac	
				SKU	Part Number	SKU	Part Number	SKU	Part Number
400	A	153.8-184.5	2000	M3MS400T3L	1101491	M3MN400T3L	1101496	M3MH400T3L	1101501
	B	184.6-215.3	2400						
	C	215.4-246.0	2800						
	D	246.1-276.8	3200						
	E	276.9-307.6	3600						
	F	307.7-338.4	4000						
	G	338.5-348.1	4400						

Specifications.....	B62	Trip Curve.....	B67	Accessories.....	D85-D113
Interruption Polarity.....	A27	Dimensions.....	A39		
Trip Unit.....	B63	Mounting Position.....	A42		

Molded Case Motor Circuit Protectors

M4M - Bus Bar Connection

- Bus Bar Connection MCP not sold with Bus Bar* or Terminal Lugs



Continuous Amperes	Cam Setting	Full Load Current Amperes	MCP Trip Setting	S Interrupting - Bus Bar Connection		N Interrupting - Bus Bar Connection		H Interrupting - Bus Bar Connection	
				42kA @ 480 Vac		65kA @ 480 Vac		100kA @ 480 Vac	
				SKU	Part Number	SKU	Part Number	SKU	Part Number
600	A	230.8-276.8	3000	M4MS600T3	1101519	M4MN600T3	1101522	M4MH600T3	1101525
	B	276.9-323.0	3600						
	C	323.1-369.0	4200						
	D	369.2-415.3	4800						
	E	415.4-461.4	5400						
	F	461.5-507.6	6000						
	G	507.7-522.2	6600						

Specifications.....B62
 Interruption PolarityA27
 Trip Unit.....B64

Trip Curve.....B68
 DimensionsA39
 Mounting Position.....A42

AccessoriesD85-D113

*NOTE: Bus Bar Connection not available through NOARK Electric.

Molded Case Motor Circuit Protectors

M4M - Lug Line/Load Side Connection

- Lug Line/Load Side Connection
MCP sold with Terminal Lugs



B

Continuous Amperes	Cam Setting	Full Load Current Amperes	MCP Trip Setting	S Interrupting - Lug Line/Load Side		N Interrupting - Lug Line/Load Side		H Interrupting - Lug Line/Load Side	
				42kA @ 480 Vac		65kA @ 480 Vac		100kA @ 480 Vac	
				SKU	Part Number	SKU	Part Number	SKU	Part Number
600	A	230.8-276.8	3000	M4MS600T3L	1101528	M4MN600T3L	1101531	M4MH600T3L	1101534
	B	276.9-323.0	3600						
	C	323.1-369.0	4200						
	D	369.2-415.3	4800						
	E	415.4-461.4	5400						
	F	461.5-507.6	6000						
	G	507.7-522.2	6600						

Specifications.....	B62	Trip Curve.....	B68	Accessories.....	D85-D113
Interruption Polarity.....	A27	Dimensions.....	A39		
Trip Unit.....	B64	Mounting Position.....	A42		

Molded Case Motor Circuit Protectors

M5M - Bus Bar Connection

- Bus Bar Connection MCP not sold with Bus Bar* or Terminal Lugs



Continuous Amperes	Cam Setting	Full Load Current Amperes	MCP Trip Setting	S Interrupting - Bus Bar Connection		N Interrupting - Bus Bar Connection		H Interrupting - Bus Bar Connection	
				42kA @ 480 Vac		65kA @ 480 Vac		100kA @ 480 Vac	
				SKU	Part Number	SKU	Part Number	SKU	Part Number
800	A	230.8-276.8	3000	M5MS800T3	1102105	M5MN800T3	1102108	M5MH800T3	1102111
	B	276.9-323.0	3600						
	C	323.1-369.0	4200						
	D	369.2-415.3	4800						
	E	415.4-461.4	5400						
	F	461.5-507.6	6000						
	G	507.7-522.2	6600						

Specifications.....	B62	Trip Curve.....	B69	Accessories.....	D80-D107
Interruption Polarity.....	A27	Dimensions.....	A40		
Trip Unit.....	B64	Mounting Position.....	A43		

*NOTE: Bus Bar Connection not available through NOARK Electric.

Molded Case Motor Circuit Protectors

M5M - Lug Line/Load Side Connection

- Lug Line/Load Side Connection
MCP sold with Terminal Lugs



B

Continuous Amperes	Cam Setting	Full Load Current Amperes	MCP Trip Setting	S Interrupting - Lug Line/Load Side		N Interrupting - Lug Line/Load Side		H Interrupting - Lug Line/Load Side	
				42kA @ 480 Vac		65kA @ 480 Vac		100kA @ 480 Vac	
				SKU	Part Number	SKU	Part Number	SKU	Part Number
800	A	230.8-276.8	3000	M5MS800T3L	1102114	M5MN800T3L	1102117	M5MH800T3L	1102120
	B	276.9-323.0	3600						
	C	323.1-369.0	4200						
	D	369.2-415.3	4800						
	E	415.4-461.4	5400						
	F	461.5-507.6	6000						
	G	507.7-522.2	6600						

Specifications.....	B62	Trip Curve.....	B69	Accessories.....	D80-D107
Interruption Polarity.....	A27	Dimensions.....	A40		
Trip Unit.....	B64	Mounting Position.....	A43		

Molded Case Motor Circuit Protectors

M6M - Bus Bar Connection

- Bus Bar Connection MCP not sold with Bus Bar* or Terminal Lugs



Continuous Amperes	Cam Setting	Full Load Current Amperes	MCP Trip Setting	S Interrupting - Bus Bar Connection		N Interrupting - Bus Bar Connection	
				42kA @ 480 Vac		65kA @ 480 Vac	
				SKU	Part Number	SKU	Part Number
1200	2	184.6-276.8	2400	M6MS1200E3F	1101933	M6MN1200E3F	1101936
	3	276.9-369.1	3600				
	4	369.2-553.7	4800				
	6	553.8-738.4	7200				
	8	738.5-923.0	9600				
	10	923.1-1107.6	12000				
	12	1107.7-1309.1	14400				

Specifications.....	B62	Trip Curve.....	B70	Accessories.....	D85-D113
Interruption Polarity.....	A27	Dimensions.....	A40		
Trip Unit.....	B64	Mounting Position.....	A43		

*NOTE: Bus Bar Connection not available through NOARK Electric.

Molded Case Motor Circuit Protectors

M6M - Lug Line/Load Side Connection

- Lug Line/Load Side Connection
MCP sold with Terminal Lugs



B

Continuous Amperes	Cam Setting	Full Load Current Amperes	MCP Trip Setting	S Interrupting - Lug Line/Load Side		N Interrupting - Lug Line/Load Side	
				42kA @ 480 Vac		65kA @ 480 Vac	
				SKU	Part Number	SKU	Part Number
1200	2	184.6-276.8	2400	M6MS1200E3LF	1101939	M6MN1200E3LF	1101942
	3	276.9-369.1	3600				
	4	369.2-553.7	4800				
	6	553.8-738.4	7200				
	8	738.5-923.0	9600				
	10	923.1-1107.6	12000				
	12	1107.7-1309.1	14400				

Specifications.....	B62	Trip Curve.....	B70	Accessories.....	D85-D113
Interruption Polarity.....	A27	Dimensions.....	A40		
Trip Unit.....	B64	Mounting Position.....	A43		

Molded Case Motor Circuit Protectors

M1M - M6M Specifications

		M1M			M2M			M3M			M4M			M5M			M6M	
Current Range (A)		3-150			250			400			600			800			1200	
Number of Poles		3																
Breaker Type		S	N	H	S	N	H	S	N	H	S	N	H	S	N	H	S	N
Rated Voltage 50/60 Hz Vac		600																
Interrupting Capacity (kA rms)																		
Circuit Breaker Ratings UL 489	240 Vac	50	100	150	50	100	150	65	100	150	65	100	150	65	100	150	65	100
CSA C22.2 (kA rms)	480 Vac	35	65	100	35	65	100	42	65	100	42	65	100	42	65	100	42	65
Vac 50/60 Hz	600 Vac	14	20	25	14	20	25	18	25	30	22	30	50	22	30	50	22	42
Circuit Breaker Ratings IEC 60947-2	220 / 240 Vac	50	100	150	50	100	150	65	100	150	65	100	150	65	100	150	65	85
Ultimate Breaking Capacity (Icu = 100% Ics)	380 / 415 Vac																(45)	(45)
(kA rms)	660 / 690 Vac	5	8	10	6	10	12	10	15	20	12	15	20	12	15	20	30	30
Magnetic Trip Units	A = Adjustable T = Thermal F = Fixed M = Magnetic	AM																
Accessories																		
Alarm Switch																		
Auxiliary Contact																		
Shunt Trip																		
Under-Voltage Trip																		
Handle Lock																		
Flange Handle																		
Mechanical Interlock																		
Motor Operator																		
Handle Operators																		
Terminal Cover and Kits																		
Connection																		
Bus Bar Connection																		
Lug Line/Load Side Connection																		

Molded Case Motor Circuit Protectors

M1M - M3M Trip Unit

Adjustable Magnetic

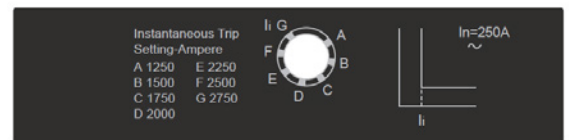
- Adjustable Magnetic
- 75-14400A Tripping Current
- Continuous Amperes: M1M~M6M 3~1200A
- Frames applicable to M1M:150A, M2M: 250A, M3M: 400A, M4M: 600A, M5M: 800A, M6M: 1200A

B

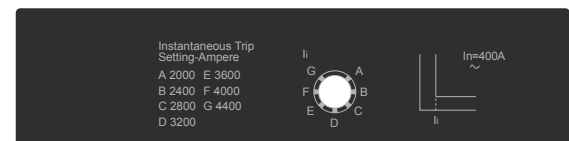
	M1M								
	I _i	3A	7A	15A	30A	50A	70A	100A	150A
Adjustable Magnetic Short Circuit Protection	A	21	35	75	150	250	350	500	750
	B	24	42	90	180	300	420	600	900
	C	27	49	105	210	350	490	700	1050
	D	30	56	120	240	400	560	800	1200
	E	33	63	135	270	450	630	900	1350
	F		70	150	300	500	700	1000	1500
	G				330	550	770	1100	1650



	M2M	
	I _i	250 A
Adjustable Magnetic Short Circuit Protection	A	1250
	B	1500
	C	1750
	D	2000
	E	2250
	F	2500
	G	2750



	M3M	
	I _i	400A
Adjustable Magnetic Short Circuit Protection	A	2000
	B	2400
	C	2800
	D	3200
	E	3600
	F	4000
	G	4400



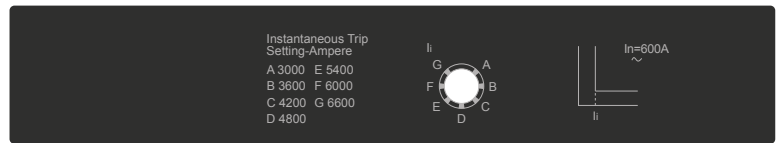
Molded Case Motor Circuit Protectors

M4M - M6M Trip Unit

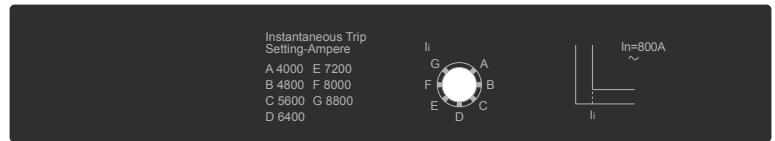
Adjustable Magnetic

- Adjustable Magnetic
- 75-14400A Tripping Current
- Continuous Amperes: M1M~M6M 3~1200A
- Frames applicable to M1M:150A, M2M: 250A, M3M: 400A, M4M: 600A, M5M: 800A, M6M: 1200A

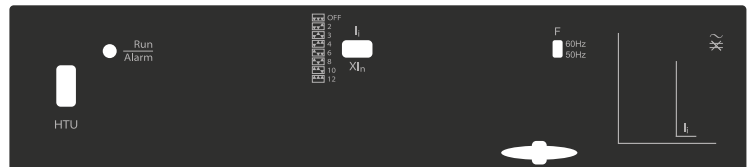
		M4M	
Adjustable Magnetic Short Circuit Protection	I_i	600A	
	A	3000	
	B	3600	
	C	4200	
	D	4800	
	E	5400	
	F	6000	
	G	6600	



		M5M	
Adjustable Magnetic Short Circuit Protection	I_i	800A	
	A	4000	
	B	4800	
	C	5600	
	D	6400	
	E	7200	
	F	8000	
	G	8800	



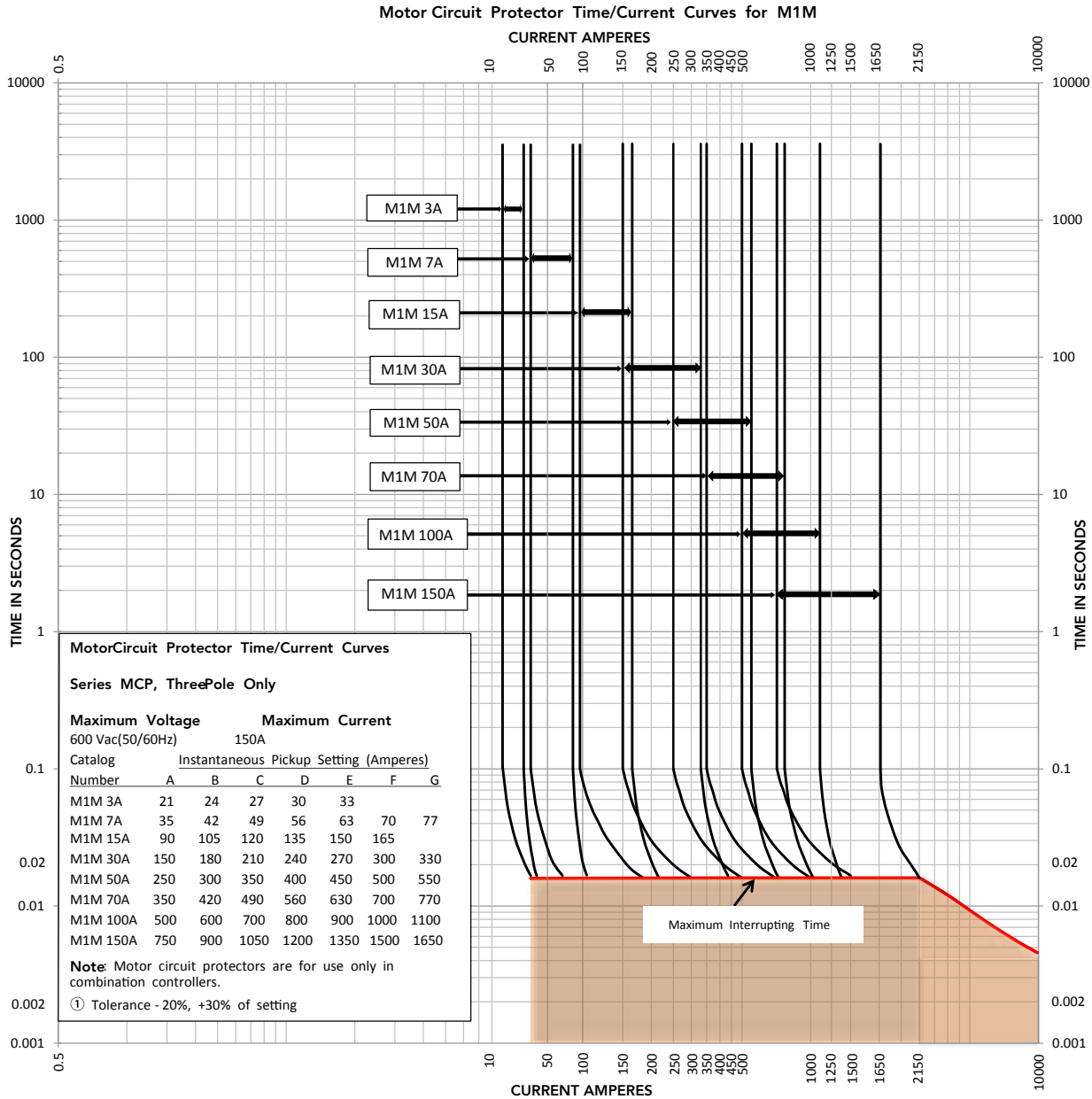
		M6M	
Adjustable Magnetic Short Circuit Protection	I_i	1200A	
	2	2400	
	3	3600	
	4	4800	
	6	7200	
	8	9600	
	10	12000	
	12	14400	



Molded Case Motor Circuit Protectors

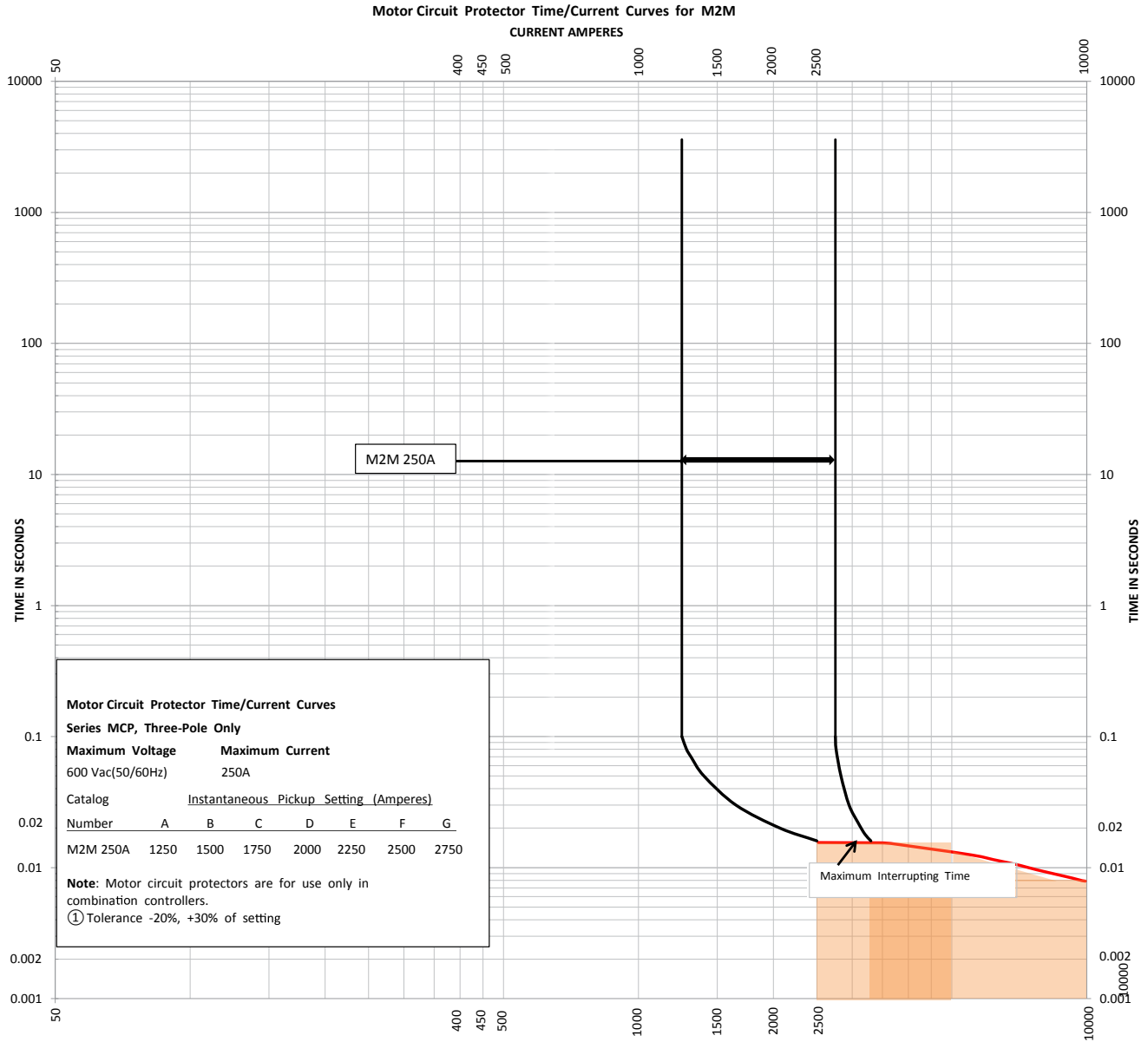
M1M Trip Curve

B



Molded Case Motor Circuit Protectors

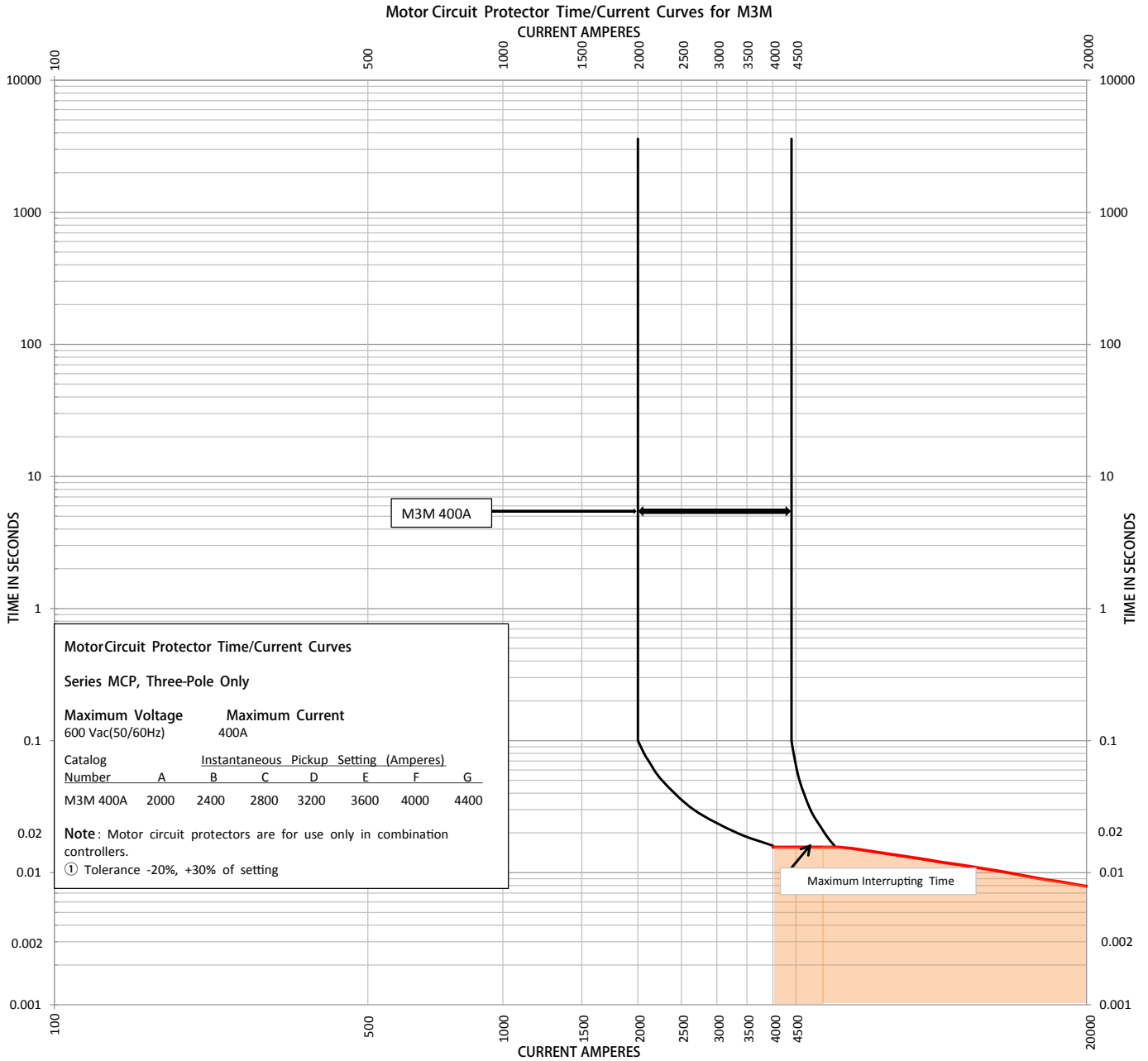
M2M Trip Curve



Molded Case Motor Circuit Protectors

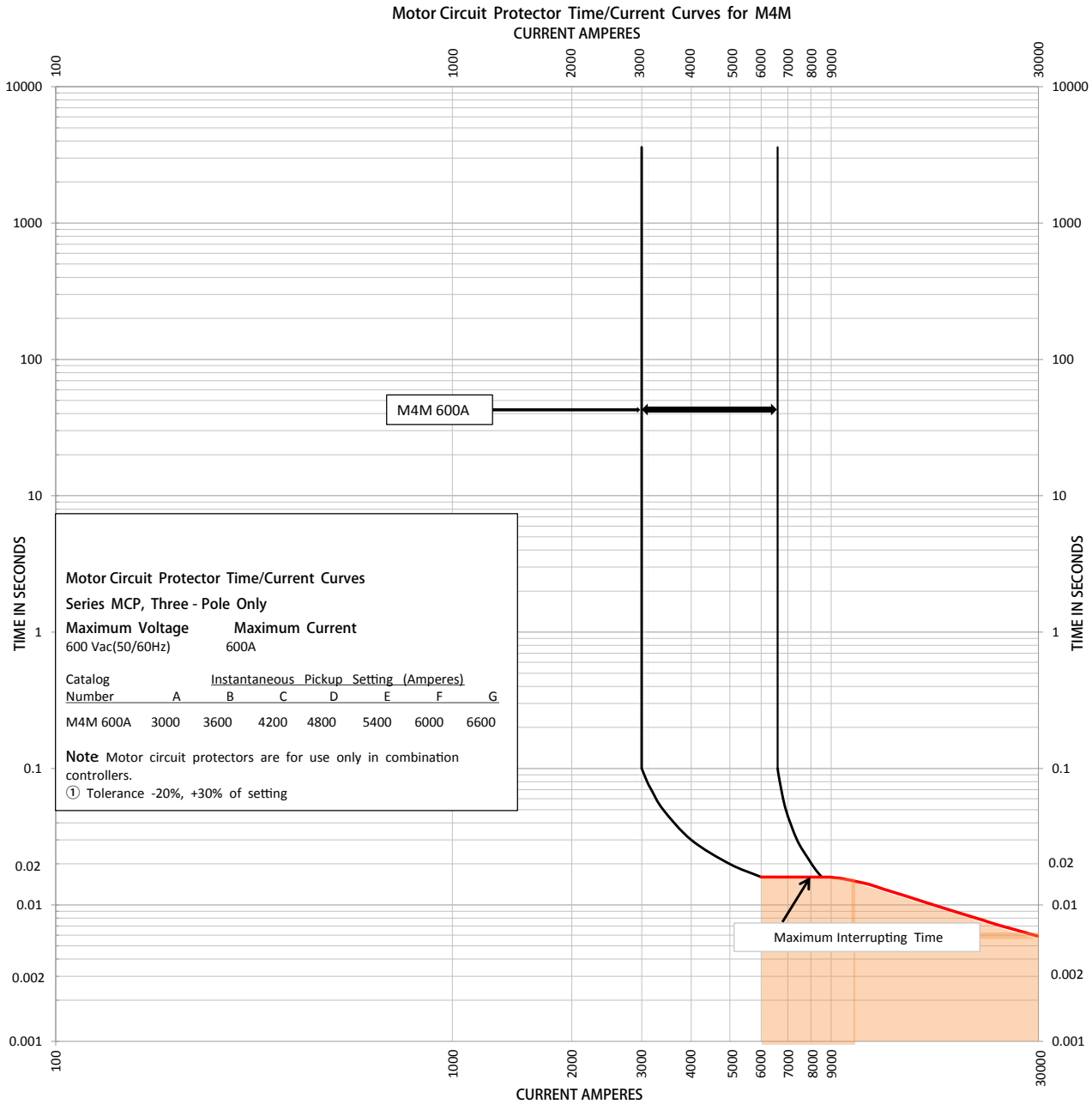
M3M Trip Curve

B



Molded Case Motor Circuit Protectors

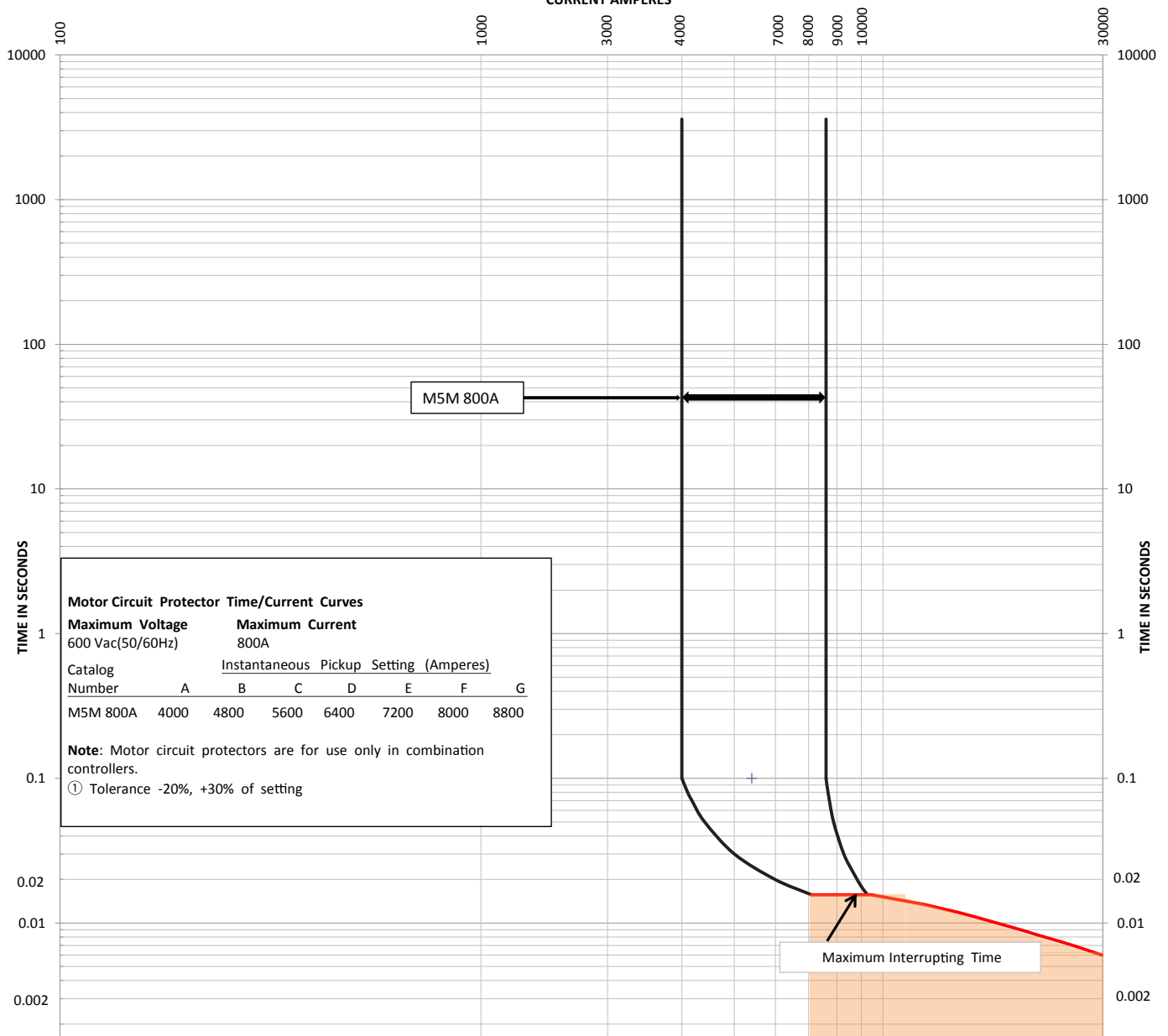
M4M Trip Curve



Molded Case Motor Circuit Protectors

M5M Trip Curve

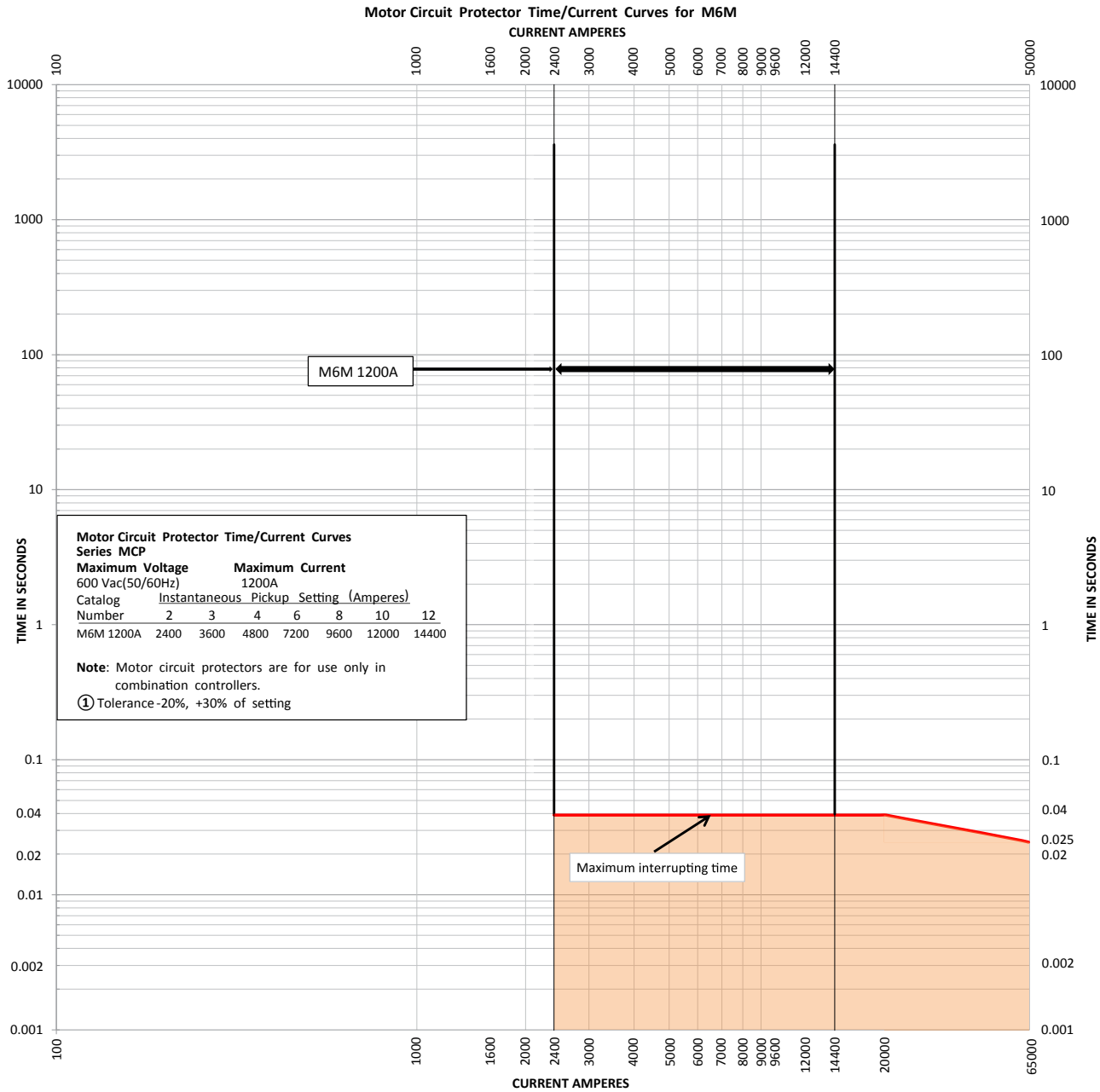
Motor Circuit Protector Time/Current Curves for M5M



B

Molded Case Motor Circuit Protectors

M6M Trip Curve



For MCP Dimensions and Mounting Positions, please
see pages A37-A43.

B

MOLDED CASE SWITCHES



M1D ~ M6D

Molded Case Switches

M1D-M6D Product Overview

Features

Ex9 Series - M Molded Case Switches, 100~1200 A

NOARK Electric offers a complete range of Molded Case Switches in six frame sizes: M1 - 150 A, M2 - 250 A, M3 - 400 A, M4 - 600 A, M5 - 800 A, and M6 - 1,200 A. Each frame size offers a range of interrupting voltage ratings from 240-690 Vac and 250-600 Vdc. The Ex9 Series – M Molded Case Switches are only used for magnetic protection applications mainly as supply circuit protection and emergency-off disconnect switches. The Ex9 Series – M conforms to global standards that include UL 489, CSA C22.2 No 5 and IEC 60947-2.

The Ex9 Series – M offers:

- Instantaneous trip ability and a new patented arc extinguishing design
- New patented technology reduces the manual operating force
- High-quality compact modular with energy saving and environmentally friendly design
- Installation flexibility:
 - ✓ Bus Bar Connection
 - ✓ Lug Line/Load Side Connection
 - ✓ Plug-In
 - ✓ Rear Connection
 - ✓ Draw-Out
- Wide range of accessories:
 - ✓ Alarm Switch and Auxiliary Contact
 - ✓ Shunt and Under-Voltage Trip
 - ✓ Interlock
 - ✓ NEMA and ICE Type Rotary Handle
 - ✓ NEMA Type Flange Handle
 - ✓ Motor Operator

Molded Case Switches

M1D-M6D National and International Standards

Certifications

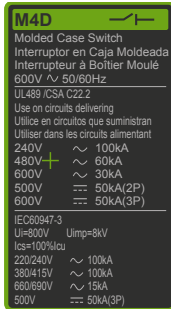
- UL 489 Listed, File Number E355396
(Standard for connection terminals which allows the user to apply field wiring directly to the breaker)
- Certified for Canada according to CSA standards 22.2 No. 5
- IEC/EN 60947-2
- CE Compliant
- RoHS Compliant



Molded Case Switches

M1D-M6D Product Selection Guide

Label



1. Product Series
2. Handle
3. Test Button
4. Warning Label

5. Brand
6. UL Listed Mark
7. CE Mark
8. Rated Current

Product Selection Guide

M	1	D	H	100	2	L
NOARK Ex9 Series - M	Frame Size	Protection Type	Switch Type	Amperage	Pole	Terminal Option
	1: 150 A	D: Disconnect Switch	Blank: Normal Interrupting Capacity	M1: 150 A	2*: 2 Poles	Blank: Bus Bar Connection
	2: 250 A		H: High Interrupting Capacity	M2: 125-250 A	3: 3 Poles	L: Lug Line/Load Side Connection (1-Hole)
	3: 400 A			M3: 250-400 A	4: 4 Poles (M5-M6 Only)	L2: Lug Line/Load Side Connection (2-Holes)
	4: 600 A			M4: 600 A		P*: Plug-In
	5: 800 A			M5: 600-800A		R*: Rear Connection
	6: 1200 A			M6: 800-1200 A		D*: Draw-Out

*: Used for M1-M4
 **: Used for M1-M5
 †: M6 only

Molded Case Switches

M1D Bus Bar, Lug Line/Load Side, Plug-In and Rear

- Bus Bar Connection MCS not sold with Bus Bar* or Terminal Lugs
- Lug Line/Load Side Connection MCS sold with Terminal Lugs
- Plug-In MCS sold with Plug-In Base
- Rear Connection MCS sold with Rear Connection Kit



Rated Amperage (A)	2 Poles		3 Poles	
	Product	Part Number	Product	Part Number
M1D 65kA@480Vac 100	Bus Bar Connection		Bus Bar Connection	
	M1D1002	1100457	M1D1003	1100453
	Lug Line/Load Side Connection (1-Hole)		Lug Line/Load Side Connection (1-Hole)	
	M1D1002L	1100458	M1D1003L	1100454
	Plug-In		Plug-In	
	N/A		M1D1003P	1100455
Rear Connection		Rear Connection		
M1D1002R	1100460	M1D1003R	1100456	
M1D 65kA@480Vac 150	2 Poles		3 Poles	
	Bus Bar Connection		Bus Bar Connection	
	M1D1502	1102194	M1D1503	1102195
	Lug Line/Load Side Connection		Lug Line/Load Side Connection	
	M1D1502L	1102196	M1D1503L	1102197
	Plug-In		Plug-In	
N/A		M1D1503P	1102198	
Rear Connection		Rear Connection		
M1D1502R	1102199	M1D1503R	1102200	
M1DH 100kA@480Vac 100	2 Poles		3 Poles	
	Bus Bar Connection		Bus Bar Connection	
	M1DH1002	1101775	M1DH1003	1101771
	Lug Line/Load Side Connection (1-Hole)		Lug Line/Load Side Connection (1-Hole)	
	M1DH1002L	1101776	M1DH1003L	1101772
	Plug-In		Plug-In	
N/A		M1DH1003P	1101773	
Rear Connection		Rear Connection		
M1DH1002R	1101778	M1DH1003R	1101774	
M1DH 100kA@480Vac 150	2 Poles		3 Poles	
	Bus Bar Connection		Bus Bar Connection	
	M1DH1502	1102201	M1DH1503	1102202
	Lug Line/Load Side Connection		Lug Line/Load Side Connection	
	M1DH1502L	1102203	M1DH1503L	1102204
	Plug-In		Plug-In	
N/A		M1DH1503P	1102205	
Rear Connection		Rear Connection		
M1DH1502R	1102206	M1DH1503R	1102207	

Specifications.....C82-C83 DimensionsA37 AccessoriesD85-D113

*NOTE: Bus Bar Connection not available through NOARK Electric.

Molded Case Switches

M2D Bus Bar, Lug Line/Load Side, Plug-In and Rear

- Bus Bar Connection MCS not sold with Bus Bar* or Terminal Lugs
- Lug Line/Load Side Connection MCS sold with Terminal Lugs
- Plug-In MCS sold with
- Plug-In Base
- Rear Connection MCS sold with Rear Connection Kit



Rated Amperage (A)	2 Poles		3 Poles		
	Product	Part Number	Product	Part Number	
M2D 65kA@480Vac	Bus Bar Connection		Bus Bar Connection		
	125	M2D1252	1100698	M2D1253	1100694
	150	M2D1502	1100706	M2D1503	1100702
	225	M2D2252	1100465	M2D2253	1100461
	250	M2D2502	1101983	M2D2503	1101979
	Lug Line/Load Side Connection (1-Hole)		Lug Line/Load Side Connection (1-Hole)		
	125	M2D1252L	1100699	M2D1253L	1100695
	150	M2D1502L	1100707	M2D1503L	1100703
	225	M2D2252L	1100466	M2D2253L	1100462
	250	M2D2502L	1101984	M2D2503L	1101980
	Plug-In		Plug-In		
	125	N/A		M2D1253P	1100696
	150	N/A		M2D1503P	1100704
	225	N/A		M2D2253P	1100463
	250	N/A		M2D2503P	1101981
	Rear Connection		Rear Connection		
125	M2D1252R	1100701	M2D1253R	1100697	
150	M2D1502R	1100709	M2D1503R	1100705	
225	M2D2252R	1100468	M2D2253R	1100464	
250	M2D2502R	1101986	M2D2503R	1101982	
M2DH 100kA@480Vac	Bus Bar Connection		Bus Bar Connection		
	125	M2DH1252	1101791	M2DH1253	1101779
	150	M2DH1502	1101792	M2DH1503	1101780
	225	M2DH2252	1101793	M2DH2253	1101781
	250	M2DH2502	1101991	M2DH2503	1101987
	Lug Line/Load Side Connection (1-Hole)		Lug Line/Load Side Connection (1-Hole)		
	125	M2DH1252L	1101794	M2DH1253L	1101782
	150	M2DH1502L	1101795	M2DH1503L	1101783
	225	M2DH2252L	1101796	M2DH2253L	1101784
	250	M2DH2502L	1101992	M2DH2503L	1101988
	Plug-In		Plug-In		
	125	N/A		M2DH1253P	1101785
	150	N/A		M2DH1503P	1101786
	225	N/A		M2DH2253P	1101787
	250	N/A		M2DH2503P	1101989
	Rear Connection		Rear Connection		
125	M2DH1252R	1101800	M2DH1253R	1101788	
150	M2DH1502R	1101801	M2DH1503R	1101789	
225	M2DH2252R	1101802	M2DH2253R	1101790	
250	M2DH2502R	1101994	M2DH2503R	1101990	

C

Specifications.....C82-C83 DimensionsA38 AccessoriesD85-D113

*NOTE: Bus Bar Connection not available through NOARK Electric.

Molded Case Switches

M3D Bus Bar, Lug Line/Load Side, Plug-In, Rear, Draw-Out

- Bus Bar Connection MCS not sold with Bus Bar* or Terminal Lugs
- Lug Line/Load Side Connection MCS sold with Terminal Lugs
- Plug-In MCS sold with Plug-In Base
- Rear Connection MCS sold with Rear Connection Kit
- Draw-Out MCS sold with Draw-Out Base



Rated Amperage (A)	2 Poles		3 Poles	
	Product	Part Number	Product	Part Number
M3D 65kA@480Vac	Bus Bar Connection		Bus Bar Connection	
	250	M3D2502 1100715	M3D2503 1100710	
	400	M3D4002 1100474	M3D4003 1100469	
	Lug Line/Load Side Connection (1-Hole)		Lug Line/Load Side Connection (1-Hole)	
	250	M3D2502L 1100716	M3D2503L 1100711	
	400	M3D4002L 1100475	M3D4003L 1100470	
	Plug-In		Plug-In	
	250	N/A	M3D2503P 1100712	
	400		M3D4003P 1100471	
	Rear Connection		Rear Connection	
	250	M3D2502R 1100718	M3D2503R 1100713	
	400	M3D4002R 1100477	M3D4003R 1100472	
	Draw-Out		Draw-Out	
	250	M3D2502D 1100719	M3D2503D 1100714	
	400	M3D4002D 1100478	M3D4003D 1100473	

Rated Amperage (A)	2 Poles		3 Poles	
	Product	Part Number	Product	Part Number
M3DH 100kA@480Vac	Bus Bar Connection		Bus Bar Connection	
	250	M3DH2502 1101815	M3DH2503 1101803	
	400	M3DH4002 1101816	M3DH4003 1101804	
	Lug Line/Load Side Connection (1-Hole)		Lug Line/Load Side Connection (1-Hole)	
	250	M3DH2502L 1101817	M3DH2503L 1101805	
	400	M3DH4002L 1101818	M3DH4003D 1101814	
	Plug-In		Plug-In	
	250	N/A	M3DH2503P 1101809	
	400		M3DH4003L2 1101808	
	Rear Connection		Rear Connection	
	250	M3DH2502R 1101823	M3DH2503R 1101811	
	400	M3DH4002R 1101824	M3DH4003P 1101810	
	Draw-Out		Draw-Out	
	250	M3DH2502D 1101825	M3DH2503D 1101813	
	400	M3DH4002D 1101826	M3DH4003R 1101812	

Specifications.....C82-C83 DimensionsA39 AccessoriesD85-D113

*NOTE: Bus Bar Connection not available through NOARK Electric.

Molded Case Switches

M4D Bus Bar, Lug Line/Load Side, Rear, Draw-Out

- Bus Bar Connection MCS not sold with Bus Bar* or Terminal Lugs
- Lug Line/Load Side Connection MCS sold with Terminal Lugs
- Rear Connection MCS sold with Rear Connection Kit
- Draw-Out MCS sold with Draw-Out Base



Rated Amperage (A)	2 Poles		3 Poles	
	Product	Part Number	Product	Part Number
M4D 65kA@480Vac 600	Bus Bar Connection		Bus Bar Connection	
	M4D6002	1100483	M4D6003	1100479
	Lug Line/Load Side Connection		Lug Line/Load Side Connection	
	M4D6002L	1100484	M4D6003L	1100480
	Rear Connection		Rear Connection	
	M4D6002R	1100485	M4D6003R	1100481
Draw-Out		Draw-Out		
M4D6002D	1100486	M4D6003D	1100482	
Rated Amperage (A)	2 Poles		3 Poles	
	Product	Part Number	Product	Part Number
M4DH 100kA@480Vac 600	Bus Bar Connection		Bus Bar Connection	
	M4DH6002	1101831	M4DH6003	1101827
	Lug Line/Load Side Connection		Lug Line/Load Side Connection	
	M4DH6002L	1101832	M4DH6003L	1101828
	Rear Connection		Rear Connection	
	M4DH6002R	1101833	M4DH6003R	1101829
Draw-Out		Draw-Out		
M4DH6002D	1101834	M4DH6003D	1101830	

C

*NOTE: Bus Bar Connection not available through NOARK Electric.

Molded Case Switches

M5D Bus Bar, Lug Line/Load Side, Rear, Draw-Out

- Bus Bar Connection MCS not sold with Bus Bar* or Terminal Lugs
- Lug Line/Load Side Connection MCS sold with Terminal Lugs
- Rear Connection MCS sold with Rear Connection Kit
- Draw-Out MCS sold with Draw-Out Base



Rated Amperage (A)	2 Poles		3 Poles		4 Poles		
	Product	Part Number	Product	Part Number	Product	Part Number	
	Bus Bar Connection		Bus Bar Connection		Bus Bar Connection		
M5D 65kA@480Vac	800	M5D8002	1102073	M5D8003	1102075	M5D8004	1102077
		Lug Line/Load Side Connection		Lug Line/Load Side Connection		Lug Line/Load Side Connection	
		M5D8002L	1102074	M5D8003L	1102076	M5D8004L	1102078

Rated Amperage (A)	2 Poles		3 Poles		4 Poles		
	Product	Part Number	Product	Part Number	Product	Part Number	
	Bus Bar Connection		Bus Bar Connection		Bus Bar Connection		
M5DH 100kA@480Vac	800	M5DH8002	1102079	M5DH8003	1102081	M5DH8004	1102083
		Lug Line/Load Side Connection		Lug Line/Load Side Connection		Lug Line/Load Side Connection	
		M5DH8002L	1102080	M5DH8003L	1102082	M5DH8004L	1102084

Specifications.....C77-C77	DimensionsA40	AccessoriesD85-D113
----------------------------	---------------------	---------------------------

*NOTE: Bus Bar Connection not available through NOARK Electric.

Molded Case Switches

M6D Bus Bar, Lug Line/Load Side, Rear, Draw-Out

- Bus Bar Connection MCS not sold with Bus Bar* or Terminal Lugs
- Lug Line/Load Side Connection MCS sold with Terminal Lugs
- Rear Connection MCS sold with Rear Connection Kit
- Draw-Out MCS sold with Draw-Out Base



Rated Amperage (A)	3 Poles		4 Poles	
	Product	Part Number	Product	Part Number
M6D 65kA@480Va 800	Bus Bar Connection		Bus Bar Connection	
	M6D8003F	1101919	M6D8004F	1101925
	Lug Line/Load Side Connection		Lug Line/Load Side Connection	
	M6D8003LF	1101922	M6D8004LF	1101928
	Bus Bar Connection		Bus Bar Connection	
	M6D10003F	1101920	M6D10004F	1101926
M6D 65kA@480Va 1000	Lug Line/Load Side Connection		Lug Line/Load Side Connection	
	M6D10003LF	1101923	M6D10004LF	1101929
	Bus Bar Connection		Bus Bar Connection	
	M6D12003F	1101921	M6D12004F	1101927
	Lug Line/Load Side Connection		Lug Line/Load Side Connection	
	M6D12003LF	1101924	M6D12004LF	1101930
M6D 65kA@480Va 1200	Bus Bar Connection		Bus Bar Connection	
	M6D12003F	1101921	M6D12004F	1101927
	Lug Line/Load Side Connection		Lug Line/Load Side Connection	
	M6D12003LF	1101924	M6D12004LF	1101930
	Bus Bar Connection		Bus Bar Connection	
	M6D10003F	1101920	M6D10004F	1101926

C

Specifications.....C82-C83 DimensionsA40 AccessoriesD85-D113

*NOTE: Bus Bar Connection not available through NOARK Electric.

Molded Case Switches

M1D-M6D Specifications

		M1D/H		M2D/H		M3D/H		M4D/H		M5D/H		M6D	
Rated Current (A)		15 ~ 150		100 ~ 250		250~400		400 ~ 600		800		800~1200	
Number of Poles		2, 3										2,3,4	3,4
Switch Type		M1D	M1DH	M2D	M2DH	M3D	M3DH	M4D	M4DH	M5D	M5DH	M6D	
Rated Voltage 50/60 Hz	Vac	600											
	Vdc	600											-
Withstand Rating* (kA rms)													
Circuit Breaker Ratings UL 489- -C-SA C22.2 (kA rms) Vac 50/60 Hz	240 Vac	100	150	100	150	100	150	100	150	100	150	100	
	480 Vac	65	100	65	100	65	100	65	100	65	100	65	
	600 Vac	20	25	20	25	25	30	30	50	30	50	42	
	500 Vdc 2 Poles	35	50	35	50	50	65	50	65	50	65	-	
	600 Vdc 3 Poles	35	50	35	50	50	65	50	65	50	65	-	
Circuit Breaker Ratings IEC 60947-2	220 / 240 Vac	100	150	100	150	100	150	100	150	100	150	85 (60)	
	380 / 415 Vac												
	660 / 690 Vac	8	10	10	12	15	20	15	20	15	20	30	
Ultimate Breaking Capacity (Icu = 100% Ics) (kA rms)	500 Vdc 3 Poles	35	50	35	50	50	65	50	65	-	-	-	
	500 Vdc 2 Poles	35	50	35	50	50	65	50	65	50	50	-	
Trip Current (A)		15xIn		12xIn		12xIn		10xIn		10xIn		15xIn	
Accessories													
Alarm Switch													
Auxiliary Contact													
Shunt Trip												■	
Under-Voltage Trip												■	
Handle Lock												■	
Mechanical Interlock													
Motor Operator													
Handle Operator												-	
Terminal Kits													
Connection													
Bus Bar Connection												■	
Lug Line/Load Side Connection												■	
Plug-In												-	
Rear Connection												-	
Draw-Out		-				■	-	■	-			-	

*NOTE: The withstand rating is the fault, at rated voltage, that the molded case switch will withstand without damage when protected by a circuit breaker or fuse with an equal continuous current rating.

Molded Case Switches

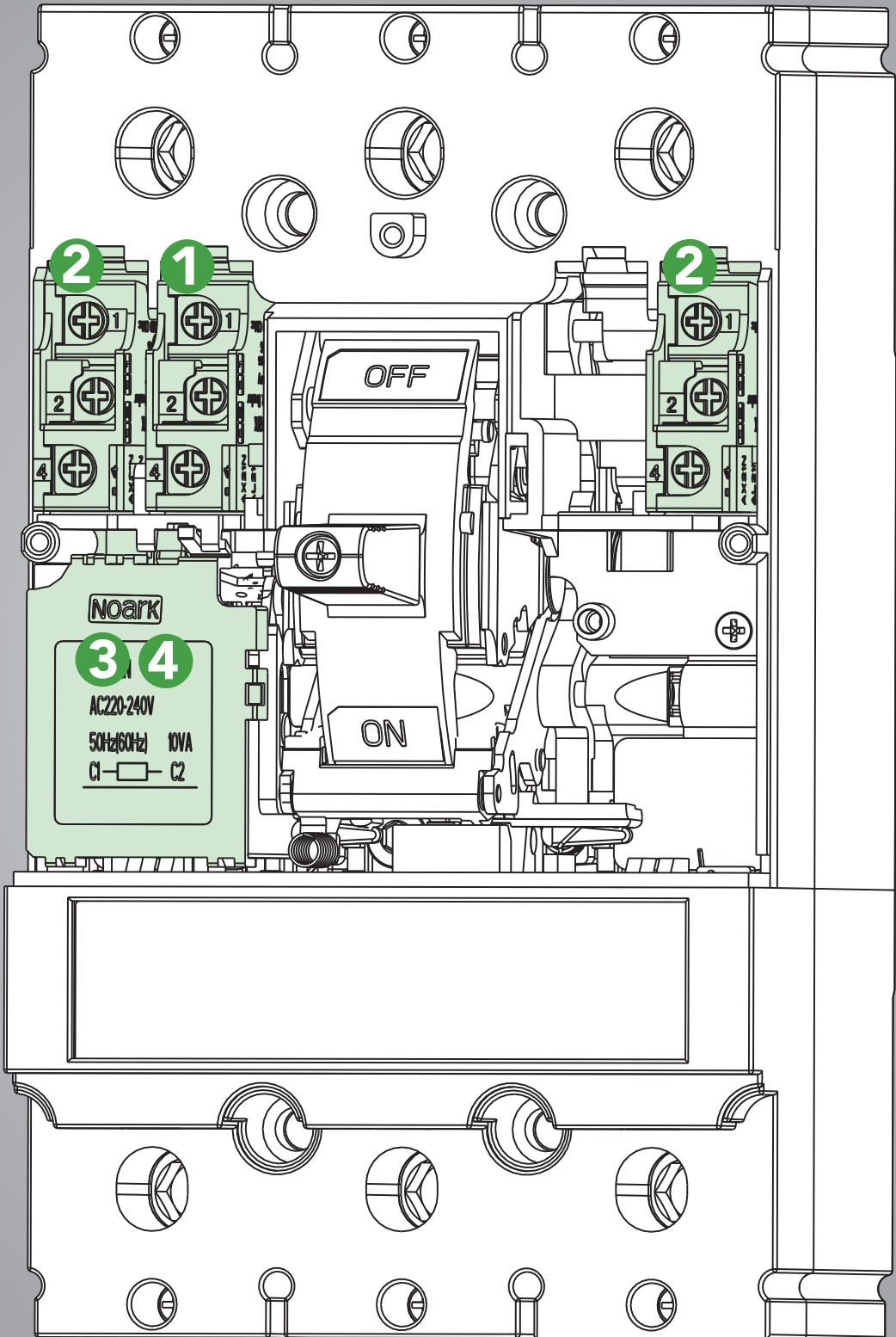
M1D-M6D Specifications

	M1D	M2D	M3D	M4D	M5D	M6D
Insulation Voltage (Vi)	800 Vac					
Impulse Withstand Voltage (Vimp)	8 kVac					
Operational Voltage (Ve)	IEC 690 Vac					
	UL 600 Vac					
IEC Ics (% Icu)	100%					
Utilization Category	A					
Mechanical Operating Cycles	10,000		8,000		3,000	
Electrical Operating Cycles	6,000		5,000		500	
Dimensions LxWxD in (mm)	6.46x3.54x3.33 (164x90x84.5)	7.17x4.13x3.47 (182x105x88)	11.22x5.51x4.59 (285x140x116.5)	12.32x7.68x5.43 (313x195x138)	3P: 16.18x7.68x7.58 (411x195x192.5) 4P: 16.18x10.2x7.58 (411x260x192.5)	3p: 22.64x9.84x15.16 (575x250x385) 4P: 22.64x12.6x15.16 (575x320x385)
Weight of Unit lb (kg)	2 Poles	3.17 (1.44)	3.75 (1.70)	8.97 (4.07)	20.94 (9.5)	27 (12.15)
	3 Poles	3.68 (1.67)	4.41 (2.00)	13.45 (6.1)	25.35 (11.5)	33.18 (15.05)
	4 Poles	-	-	-	-	43.43 (19.7)
Cable Connection Wire 167 °F (75 °C) Cu Wire Only AWG (mm ²)	1-Hole 14-3/0 (2.5-95)	1-Hole 8 - 350 kcmil (10-185)	1-Hole 3/0 - 500 kcmil (95-240)	2-Holes (2x) 3/0 - 400 kcmil (2x) 95-185)	2-Holes 250-600kcmil (120-300)	3-Holes 3/0- 750 kcmil (95-300)
	3-Holes 14-3/0 (2.5-6)		2-Holes 3 - 250 kcmil (35-120)		3-Holes 4/0 AWG-500 kcmil (100-250)	4-Holes 3/0- 500 kcmil (95-240)
Lugs lb-in (N.m)	89 (10)	230 (23)	310 (35)		398 (45)	310 (35)

C

For dimensions, see pages A37 - A40.
For mounting positions, see pages A41 - A43.

MOLDED CASE ACCESSORIES



Accessories For MCCB/MCP/MCS

Accessory Overview

Internal Accessories



1 Alarm Switch (AL)



3 Shunt Trip (SHT)



2 Auxiliary Contact (AX)



4 Under-Voltage Trip (UVT)

D

External Accessories



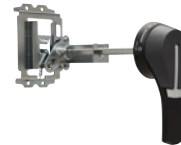
Handle Lock (KLK)



IEC Rotary Handle (RHD)
(Closed Coupled)



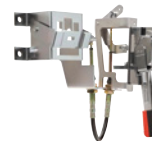
Mechanical Interlock (MIT)



NEMA Extended Rotary Handle (ERH)
(Through the Door)



Motor Operator (MOD)



NEMA Flange Handle Mechanism (FHM)
(Through the Door)

Connection Hardware



Terminal Lugs (LTC)

(M1: 1 hole and 3 hole, M2: 1 hole,
M3: 1 hole and 2 hole, M4: 2 hole)



Rear Connection Kit (RCP)



Plug-In Base (PIA)



Draw-Out Base (DOB)

Accessories For MCCB/MCP/MCS

National and International Standards

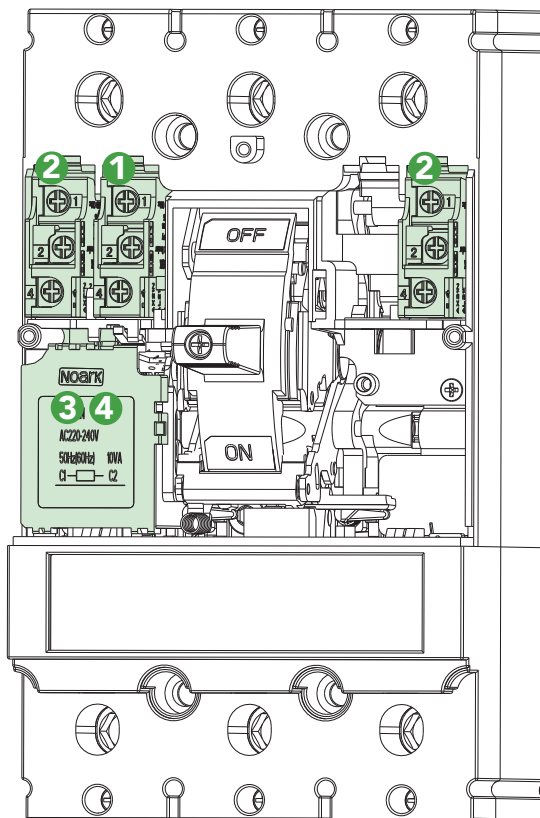
Certifications

- UL 489 Listed, File Number E355392 For: Alarm Switch, Auxiliary Contact, Shunt Trip, Under-Voltage Trip, Handle Lock, Mechanical Interlock, Motor Operator, Rotary Handle, Extended Rotary Handle, Flange Handle, Plug-In Base, Rear Connection Kit and Draw-Out Base
- UL 489 Listed, File Number E349009
For: Terminal Lugs
- Certified for Canada according to CSA standards 22.2 No. 5
- IEC/EN 60947-2
- CE Compliant
- RoHS Compliant
- UL listed, File No. E355392, E484125
For: Flange Handle Mechanism



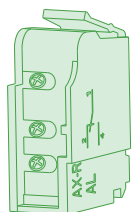
Accessories For MCCB/MCP/MCS

Internal Accessories



D

Alarm Switch (AL)



1

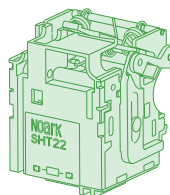
Function:

- Sends an alarm signal when the circuit breaker trips

Type:

- One NO, one NC

Shunt Release (SHT)



3

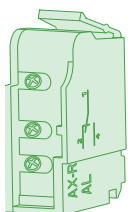
Function:

- Allows circuit breaker to be opened remotely

Type of Power Supply:

- 100-130 Vac, 220-240 Vac, 380-440 Vac, 480-500 Vac, 24 Vdc, 220-250 Vdc

Auxiliary Contact (AX)



2

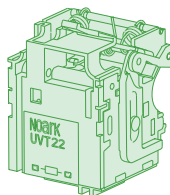
Function:

- Indicates the state of a circuit breaker (open/close)

Type:

- One NO, one NC
- Two NO, two NC

Under-Voltage Release (UVT)



4

Function:

- Prevents circuit breaker from closing during an under-voltage situation

Type of Power Supply:

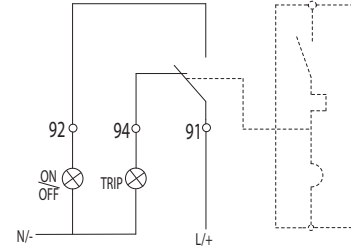
- 110-127 Vac, 220-240 Vac, 380-440 Vac, 24-30 Vdc, 48 Vdc, 60 Vdc, 110-125 Vdc, 220-250 Vdc

Accessories For MCCB/MCP/MCS

Internal Accessories: Alarm Switch and Auxiliary Contact



AL	21	N
Description	Type	Device Category
Alarm Switch	21: for M1-M6	N: UL 489



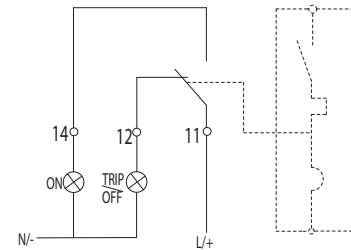
- Rated Operational Voltage: 240/480 Vac, 110/220 Vdc
- Rated Operational Current:
 - .25 A @ 110 V
 - .25 A @ 220V
 - 5 A @ 240 V
 - 2 A @ 480 V

DimensionsD98

Accessory Description	Product	Part Number
Alarm Switch	AL21N	1100554



AX	21	N
Description	Type	Device Category
Auxiliary Contact	21: for M1-M6	N: UL 489



- Rated Operational Voltage: 240/480 Vac, 110/220 Vdc
- Rated Operational Current:
 - .25 A @ 110 V
 - .25 A @ 220V
 - 5 A @ 240 V
 - 2 A @ 480 V

DimensionsD98

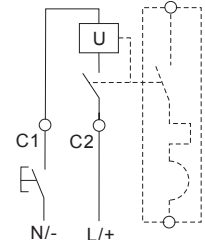
Accessory Description	Product	Part Number
Auxiliary Contact	AX21N	1100553

Accessories For MCCB/MCP/MCS

Internal Accessories: Shunt Trip



SHT	21	N	A
Description	Type	Device Category	Control Voltage
Shunt Trip	21: for M1 22: for M2-M3 24: for M4-M5 26: for M6	N: UL 489	A: 100~130 Vac B: 220~240 Vac C: 380~440 Vac D: 480~500 Vac E: 24 Vdc H: 220~250 Vdc



- Response Voltage, Pick-Up: Us 70-110%
- Opening Time: Interrupts Automatically ≥ 10 ms, ≤ 60 ms

Dimensions D98

Accessory Description	Type	Voltage	Product	Part Number
Shunt Trip	M1	100-130 Vac	SHT21NA	1100505
		220-240 Vac	SHT21NB	1100506
		380-440 Vac	SHT21NC	1100507
		480-500 Vac	SHT21ND	1100508
		24 Vdc	SHT21NE	1100509
	M2-M3	100-130 Vac	SHT22NA	1100513
		220-240 Vac	SHT22NB	1100514
		380-440 Vac	SHT22NC	1100515
		480-500 Vac	SHT22ND	1100516
		24 Vdc	SHT22NE	1100517
	M4-M5	100-130 Vac	SHT24NA	1100521
		220-240 Vac	SHT24NB	1100522
		380-440 Vac	SHT24NC	1100523
		480-500 Vac	SHT24ND	1100524
		24 Vdc	SHT24NE	1100525
	M6	100-130Vac	SHT26NA	1101168
		220-240Vac	SHT26NB	1101169
		380-440Vac	SHT26NC	1101170
		480-500Vac	SHT26ND	1101171
		24-30Vdc	SHT26NE	1101172
110-125Vdc		SHT26NG	1101173	
220-250Vdc	SHT26NH	1101174		

Accessories For MCCB/MCP/MCS

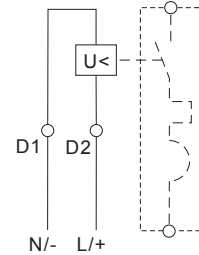
Internal Accessories: Under-Voltage Trip



- Response Voltage, Drop: U_e 35-70%
- Response Voltage, Pick-Up: U_e 85-110%
- Opening Time: Interrupts Automatically ≥ 10 ms, ≤ 60 ms

DimensionsD98

UVT	21	N	A
Description	Type	Device Category	Control Voltage
Under-Voltage Trip	21: for M1 22: for M2-M3 24: for M4-M5 26: for M6	N: UL 489	A: 110~127 Vac B: 220~240 Vac C: 380~440 Vac D: 24~30 Vdc E: 48 Vdc F: 60 Vdc G: 110~125 Vdc H: 220~250 Vdc



Accessory Description	Type	Voltage	Product	Part Number	
Under-Voltage Trip	M1	110-127 Vac	UVT21NA	1100529	
		220-240 Vac	UVT21NB	1100530	
		380-440 Vac	UVT21NC	1100531	
		24-30 Vdc	UVT21ND	1100532	
		48 Vdc	UVT21NE	1100533	
		60 Vdc	UVT21NF	1100534	
		110-125 Vdc	UVT21NG	1100535	
		220-250 Vdc	UVT21NH	1100536	
		M2-M3	110-127 Vac	UVT22NA	1100537
			220-240 Vac	UVT22NB	1100538
			380-440 Vac	UVT22NC	1100539
			24-30 Vdc	UVT22ND	1100540
	48 Vdc		UVT22NE	1100541	
	60 Vdc		UVT22NF	1100542	
	M4-M5	110-125 Vdc	UVT22NG	1100543	
		220-250 Vdc	UVT22NH	1100544	
		110-127 Vac	UVT24NA	1100545	
		220-240 Vac	UVT24NB	1100546	
		380-440 Vac	UVT24NC	1100547	
		24-30 Vdc	UVT24ND	1100548	
	M6	48 Vdc	UVT24NE	1100549	
		60 Vdc	UVT24NF	1100550	
		110-125 Vdc	UVT24NG	1100551	
		220-250 Vdc	UVT24NH	1100552	
110-127Vac		UVT26NA	1101175		
220-240Vac		UVT26NB	1101176		
380-440Vac		UVT26NC	1101177		
480-500Vac		UVT26NC1	1101178		
24-30Vdc	UVT26ND	1101179			
110-125Vdc	UVT26NG	1101180			
220-250Vdc	UVT26NH	1101181			

Accessories For MCCB/MCP/MCS

External Accessories: Handle Lock and Mechanical Interlock

D



DimensionsD99

KLK	21	N	A
Description	Type	Device Category	Position
Handle Lock (Padlockable Position)	21: for M1	N: UL 489	A: Off
	22: for M2		B: On/Off
	23: for M3		C: On
	24: for M4-M5		
	26: for M6		

Accessory Description	Type	Position	Product	Part Number
Handle Lock	M1	Off	KLK21NA	1100575
		On/Off	KLK21NB	1100576
		On	KLK21NC	1100577
	M2	Off	KLK22NA	1100578
		On/Off	KLK22NB	1100579
		On	KLK22NC	1100580
	M3	Off	KLK23NA	1100581
		On/Off	KLK23NB	1100582
		On	KLK23NC	1100583
	M4-M5	Off	KLK24NA	1100584
		On/Off	KLK24NB	1100585
		On	KLK24NC	1100586
M6	Off	KLK26NA	1101182	



DimensionsD99

MIT	21	N	A
Description	Type	Device Category	Breaker Distance
Mechanical Interlock	21: for M1	N: UL 489	C: Distance of two MCCBs, contact NOARK sales for order assistance
	22: for M2		
	23: for M3		
	24: for M4-M5		
	26: for M6		

Accessory Description	Type	Product	Part Number
Mechanical Interlock	M1	MIT21NA	1100596
	M2	MIT22NA	1100599
	M3	MIT23NA	1100602
	M4-M5	MIT24NA	1100605
	M6	MIT26NA	1101183

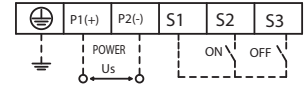
Accessories For MCCB/MCP/MCS

External Accessories: Motor Operator

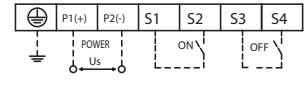


Dimensions D100
to D101

MOD	21	N	A
Description	Type	Device Category	Control Voltage
Motor Operator	21: for M1	N: UL 489	A: 120 Vac/dc
	22: for M2		B: 240 Vac/dc
	23: for M3		C: 24 Vdc
	24: for M4		



MOD21N / MOD22N



MOD23N / MOD24N

Accessory Description	Type	Voltage	Product	Part Number
Motor Operator	M1	120 Vac/dc	MOD21NA	1100563
		240 Vac/dc	MOD21NB	1100564
		24 Vdc	MOD21NC	1100565
	M2	120 Vac/dc	MOD22NA	1100566
		240 Vac/dc	MOD22NB	1100567
		24 Vdc	MOD22NC	1100568
	M3	120 Vac/dc	MOD23NA	1100569
		240 Vac/dc	MOD23NB	1100570
		24 Vdc	MOD23NC	1100571
	M4	120 Vac/dc	MOD24NA	1100572
		240 Vac/dc	MOD24NB	1100573
		24 Vdc	MOD24NC	1100574

Accessories For MCCB/MCP/MCS

External Accessories: IEC Rotary Handle and DIN Rail Plate

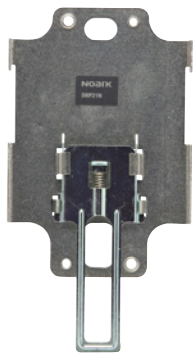


- Grey/Green or Yellow/Red
- IP 30

DimensionsD102 to D103

RHD	21	N	1
Description	Type	Device Category	Color
IEC Rotary Handle (Closed Coupled)	21: for M1	N: UL 489	1: Grey/Green
	22: for M2		2: Red/Yellow
	23: for M3		
	24: for M4		

Accessory Description		Type	Product	Part Number	
IEC Rotary Handle (Closed Coupled)	IP 30	Grey/Green	M1	RHD21N1	1100555
			M2	RHD22N1	1100556
			M3	RHD23N1	1100557
			M4	RHD24N1	1100558
	Red/Yellow	M1	RHD21N2	1100613	
		M2	RHD22N2	1100614	
		M3	RHD23N2	1100615	
		M4	RHD24N2	1100616	



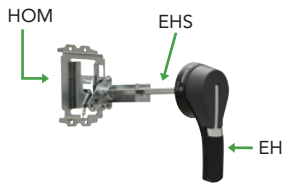
DimensionsD103

DRP	21	N
Description	Type	Area
DIN Rail Plate	21: for M1	
	22: for M2	

Accessory Description	Type	Product	Part Number
DIN Rail Plate	M1	DRP21N	1101164
	M2	DRP22N	1101165

Accessories For MCCB/MCP/MCS

External Accessories: NEMA Extended Rotary Handle



- Black/Grey or Red/Yellow

DimensionsD104

EH	2	B	1
Description	Type	Color	NEMA Degree
NEMA Extended Rotary Handle (Through the Door)	2: EH2 Type (M1-M3, use 10mm shaft)	B: Black/Grey	1: NEMA 1,3R,12
	3: EH3 Type (M3-M6, use 12mm shaft)	R: Red/Yellow	2: NEMA 4,4X

EHS	20	A
Description	Length	Cross Section
EHS (Extended Handle Shaft)	20: 7.9 inch (200mm)	A: 0.39 x 0.39inch (10x10mm)
	32: 12.6 inch (320mm)	B: 0.47x0.47inch (12x12mm)
	50: 19.7inch (500mm)	

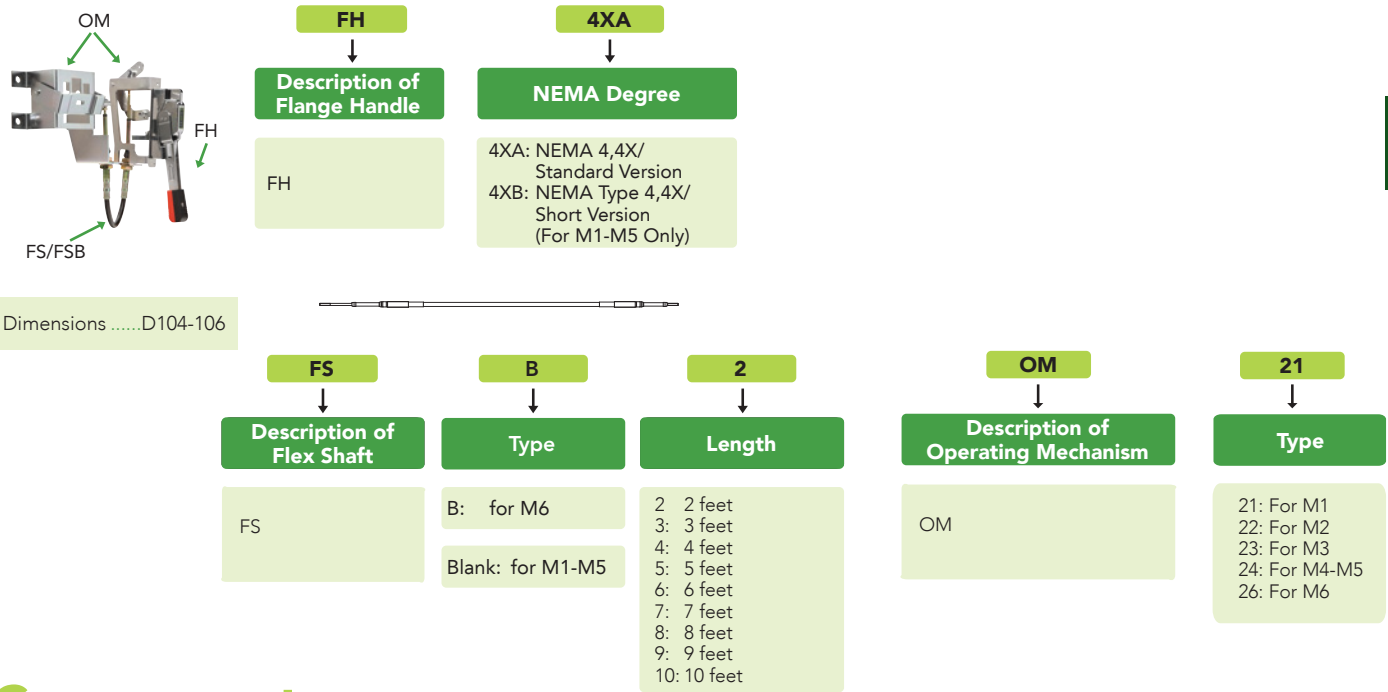
HOM	1	A
Description	Type	Mechanism Hole
HOM (Handle Operating Mechanism)	1: M1	A: 10x10mm ²
	2: M2	B: 12x12mm ²
	3: M3	
	4: M4-M5	
	6: M6	

NOARK SKU	Part Number	Description	Suitable for
EH2B1	1100859	External Handle, S2 Type, Black/Grey, NEMA 1,3R, 12, Use 10mm Shaft	M1/M2/M3
EH2B2	1100860	External Handle, S2 Type, Black/Grey, NEMA 4,4X, Use 10mm Shaft	M1/M2/M3
EH2R1	1100861	External Handle, S2 Type, Red/Yellow, NEMA 1,3R, 12, Use 10mm Shaft	M1/M2/M3
EH2R2	1100862	External Handle, S2 Type, Red/Yellow, NEMA 4,4X, Use 10mm Shaft	M1/M2/M3
EH3B1	1100863	External Handle, S3 Type, Black/Grey, NEMA 1,3R, 12, Use 12mm Shaft	M3/M4/M5/M6
EH3B2	1100864	External Handle, S3 Type, Black/Grey, NEMA 4,4X, Use 12mm Shaft	M3/M4/M5/M6
EH3R1	1100865	External Handle, S3 Type, Red/Yellow, NEMA 1,3R, 12, Use 12mm Shaft	M3/M4/M5/M6
EH3R2	1100866	External Handle, S3 Type, Red/Yellow, NEMA 4,4X, Use 12mm Shaft	M3/M4/M5/M6
EHS20A	1100867	External Handle Shaft, Cross Sectional Area 10x10mm, Length 200mm	M1/M2/M3
EHS32A	1100868	External Handle Shaft, Cross Sectional Area 10x10mm, Length 320mm	M1/M2/M3
EHS50A	1100869	External Handle Shaft, Cross Sectional Area 10x10mm, Length 500mm	M1/M2/M3
EHS20B	1100870	External Handle Shaft, Cross Sectional Area 12x12mm, Length 200mm	M3/M4/M5/M6
EHS32B	1100871	External Handle Shaft, Cross Sectional Area 12x12mm, Length 320mm	M3/M4/M5/M6
EHS50B	1100872	External Handle Shaft, Cross Sectional Area 12x12mm, Length 500mm	M3/M4/M5/M6
HOM1A	1101144	Handle Operating Mechanism, for M1, Hole 10x10mm	M1
HOM2A	1101145	Handle Operating Mechanism, for M2, Hole 10x10mm	M2
HOM3A	1101146	Handle Operating Mechanism, for M3, Hole 10x10mm	M3
HOM3B	1101147	Handle Operating Mechanism, for M3, Hole 12x12mm	M3
HOM4B	1101148	Handle Operating Mechanism, for M4, Hole 12x12mm	M4-M5
HOM6B	1101153	Handle Operating Mechanism, for M6, Hole 12x12mm	M6

Accessories For MCCB/MCP/MCS

External Accessories: NEMA Flange Handle Mechanism

NEMA flange handle mechanism selection is separated into 3 parts: flange handle, flex shaft, and operating mechanism. NOARK UL MCCB frame size: M1(15-100A), M2(100-250A), M3(225-400A), M4(400-600A), M5(600-800A), M6(800-1200A)



Components

Order Number	NOARK SKU	Description	Suitable for
1101255	FH4XA	Flange Handle, NEMA 4,4X/Standard Version	M1/M2/M3/M4/M5/M6
1101188	FH4XB	Flange Handle, NEMA 4, 4X/Short Version	M1/M2/M3/M4/M5
1101256	FS2	Flexible Shaft, length is 2 feet	M1/M2/M3/M4
1101257	FS3	Flexible Shaft, length is 3 feet	
1101258	FS4	Flexible Shaft, length is 4 feet	
1101259	FS5	Flexible Shaft, length is 5 feet	
1101260	FS6	Flexible Shaft, length is 6 feet	
1101261	FS7	Flexible Shaft, length is 7 feet	
1101262	FS8	Flexible Shaft, length is 8 feet	
1101263	FS9	Flexible Shaft, length is 9 feet	
1101264	FS10	Flexible Shaft, length is 10 feet	
1101154	FSB2	Flexible Shaft, length is 2-feet	
1101155	FSB3	Flexible Shaft, length is 3-feet	
1101156	FSB4	Flexible Shaft, length is 4-feet	
1101157	FSB5	Flexible Shaft, length is 5-feet	
1101158	FSB6	Flexible Shaft, length is 6-feet	
1101159	FSB7	Flexible Shaft, length is 7-feet	
1101160	FSB8	Flexible Shaft, length is 8-feet	
1101161	FSB9	Flexible Shaft, length is 9-feet	
1101162	FSB10	Flexible Shaft, length is 10-feet	
1101265	OM21	Operating Mechanism for M1	M1/M2/M3/M4/M5
1101266	OM22	Operating Mechanism for M2	
1101267	OM23	Operating Mechanism for M3	
1101268	OM24	Operating Mechanism for M4/M5	
1101163	OM26	Operating Mechanism for M6	M6

Accessories For MCCB/MCP/MCS

Connection Hardware: Terminal Lugs and Plug-In Base



1-Hole



3-Holes

DimensionsD107

LTC	21	N	A
Description	Type	Device Category	Number of Holes
Terminal Lugs	21: for M1 22: for M2 23: for M3 24: for M4 25: for M5 26: for M6	N: UL 489	A: 1-Hole (for M1-M3, Internal) B: 2-Holes (for M3, external with terminal cover) (for M4, for M5: 600a, 700A, internal) C: 3-Holes (for M1 external) (for M5 & M6: 800A, internal) D: 4-Holes (for M6:1000A, 1200A, internal)

Accessory Description	Type	Voltage	Product	Part Number
Terminal Lugs	M1	1-Hole	LTC21NA	1100608
		3-Holes	LTC21NC	1100669
	M2	1-Hole	LTC22NA	1100609
		2-Holes*	LTC23NA	1100610
	M3	1-Hole	LTC23NB	1100611
		2-Holes	LTC24NB	1100612
	M5**	2-Holes	LTC25NB*	1101184
		3-Holes	LTC25NC*	1101185
	M6**	3-Holes	LTC26NC*	1101166
		4-Holes	LTC26ND*	1101167

* External terminal cover ordered separately
**Factory installed only



Accessory Description	Type	Voltage	Product	Part Number
Terminal Cover	M3	2-Holes	TC23NB	1101186



Dimensions ...D108-D110

PIA	21	N
Description	Type	Device Category
Plug-In Base	21: for M1 22: for M2 23: for M3	N: UL 489

Accessory Description	Type	Product	Part Number
Plug-In Base (3 Pole Only)	M1	PIA21N	1100591
	M2	PIA22N	1100592
	M3	PIA23N	1100593

Accessories For MCCB/MCP/MCS

Connection Hardware: Rear Connection Kit and Draw-Out Base



DimensionsD111 to D112

RCP	21	N
Description	Type	Certification
Rear Connection Kit	21: for M1	N: UL 489
	22: for M2	
	23: for M3	
	24: for M4	

Accessory Description	Type	Product	Part Number
Rear Connection Kit	M1	RCP21N	1100587
	M2	RCP22N	1100588
	M3	RCP23N	1100589
	M4	RCP24N	1100590



DimensionsD113

NOTE: Molded Case Circuit Breaker/Switch sold separately.

DOB	21	N
Description	Type	Certification
Draw-Out Base	23: for M3	N: UL 489
	24: for M4	

Accessory Description	Type	Product	Part Number
Draw-Out Base	M3	DOB23N	1100594
	M4	DOB24N	1100595

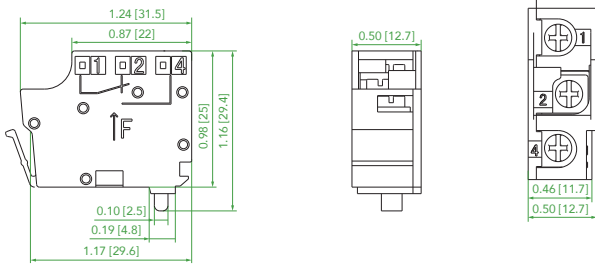
Accessories For MCCB/MCP/MCS

Internal Accessory Dimensions

AL21N / AX21N

Alarm Switch / Auxiliary Contact

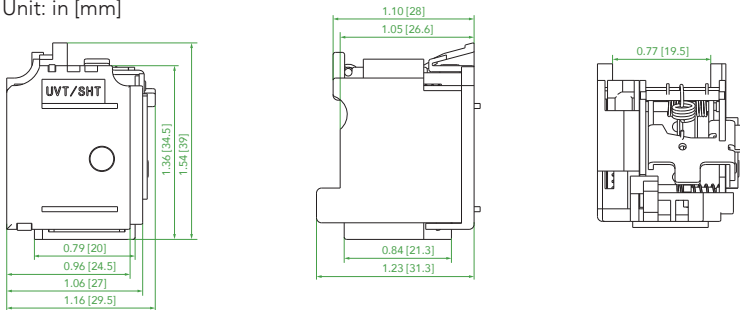
Unit: in [mm]



SHT21N / UVT21N

Shunt Trip / Under-Voltage Trip for M1

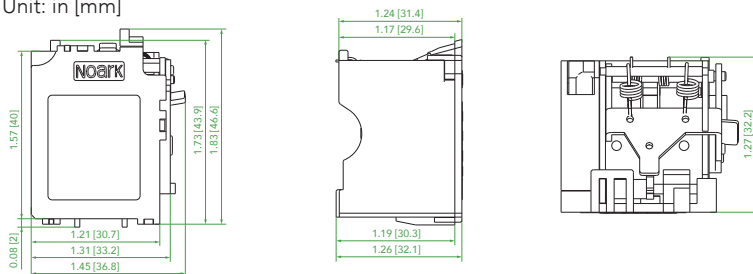
Unit: in [mm]



SHT22N-24N / UVT22N-24N

Shunt Trip / Under-Voltage Trip for M2-M4

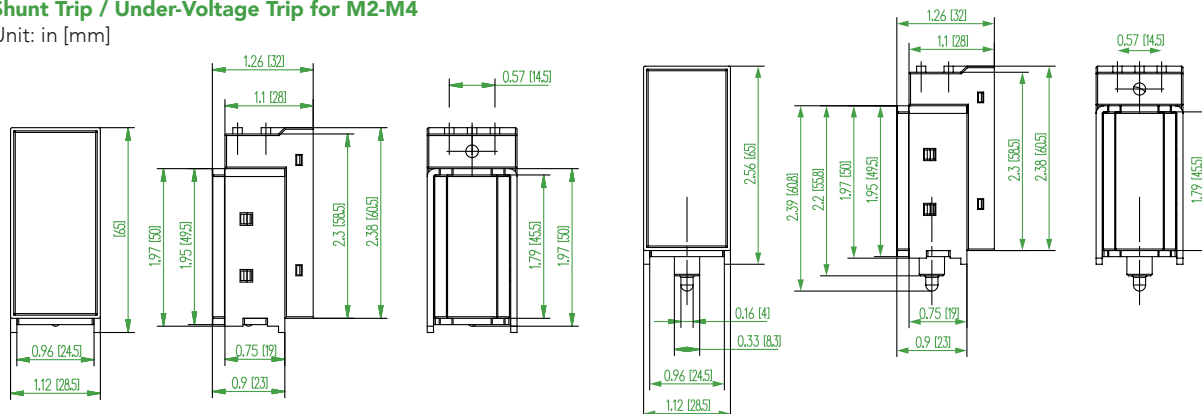
Unit: in [mm]



SHT26N / UVT26N

Shunt Trip / Under-Voltage Trip for M2-M4

Unit: in [mm]



Accessories For MCCB/MCP/MCS

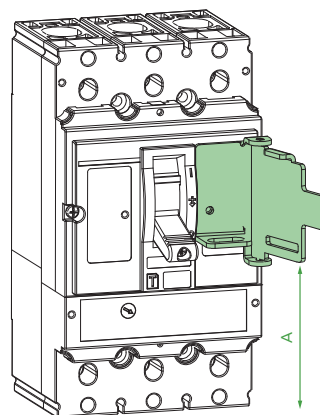
External Accessory Dimensions

KLK

Handle Lock

Unit: in [mm]

Handle Lock	A
KLK21N	5.71 [145]
KLK22N	6.50 [165]
KLK23N	8.46 [215]
KLK24N	10.51 [267]
KLK26N	6.59 [167.5]



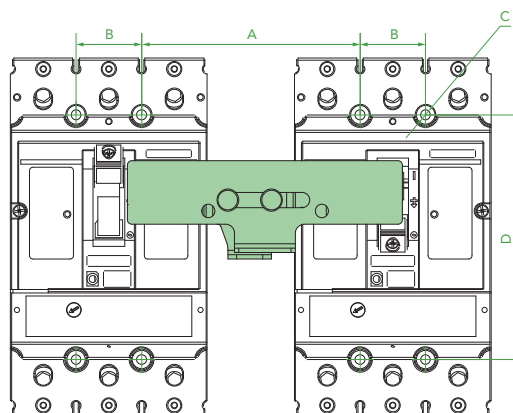
D

MIT

Mechanical Interlock

Unit: in [mm]

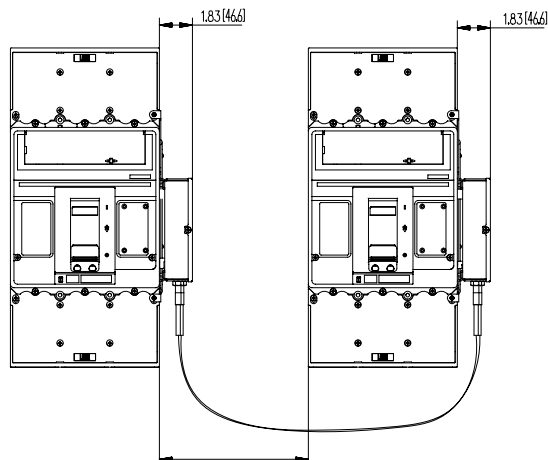
Mechanical Interlock	A	B	C	D
MIT21N	3.94 [100]	1.18 [30]	∅0.18 [∅4.5]	4.41 [112]
MIT22N	4.53 [115]	1.38 [35]	∅0.22 [∅5.5]	4.92 [125]
MIT23N	5.63 [143]	1.77 [45]	∅0.22 [∅5.5]	7.91 [201]
MIT24N	8.03 [204]	2.56 [65]	∅0.26 [∅6.5]	9.25 [235]



MIT26N

Mechanical Interlock

Unit: in [mm]



The minimum distance is 1.97[50]
The maximum distance is 59.06[1500]

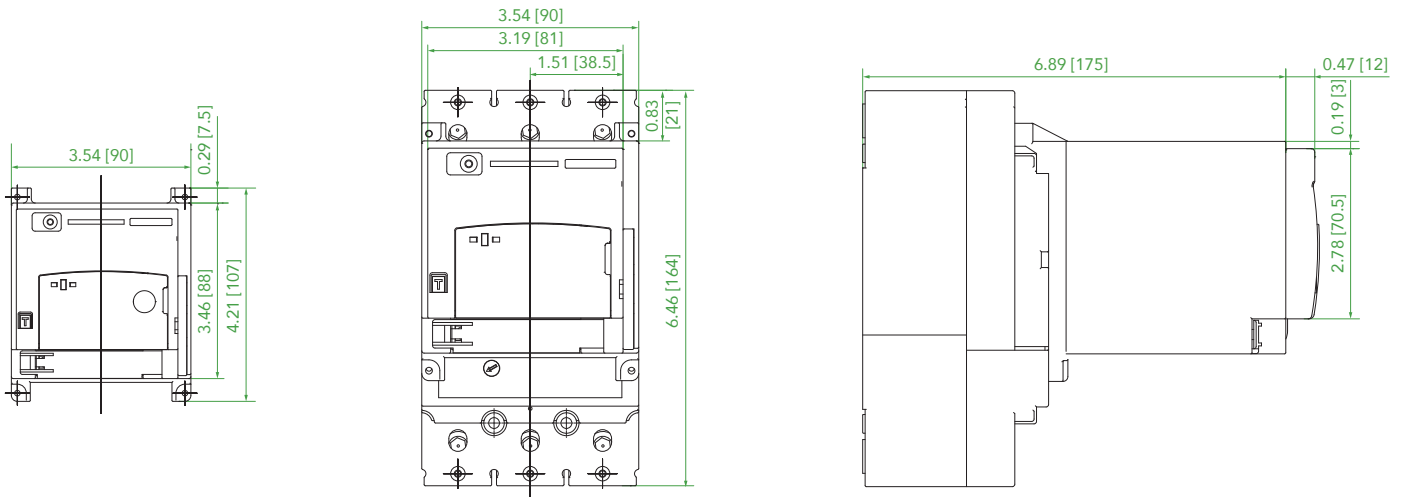
Accessories For MCCB/MCP/MCS

External Accessory Dimensions

MOD21N

Motor Operator for M1

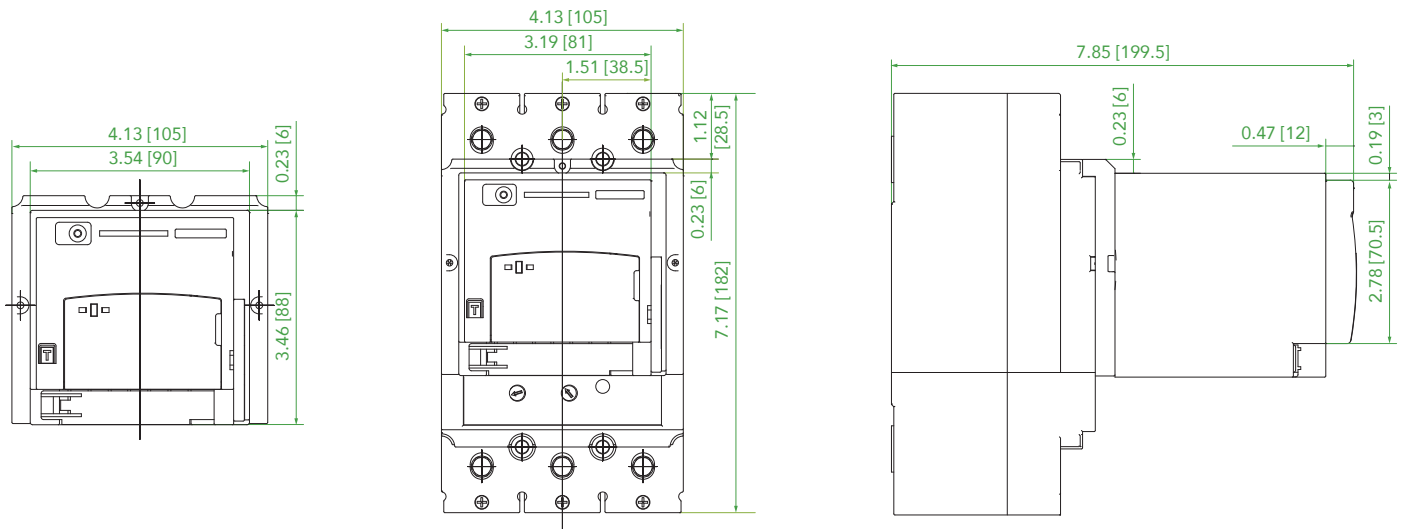
Unit: in [mm]



MOD22N

Motor Operator for M2

Unit: in [mm]



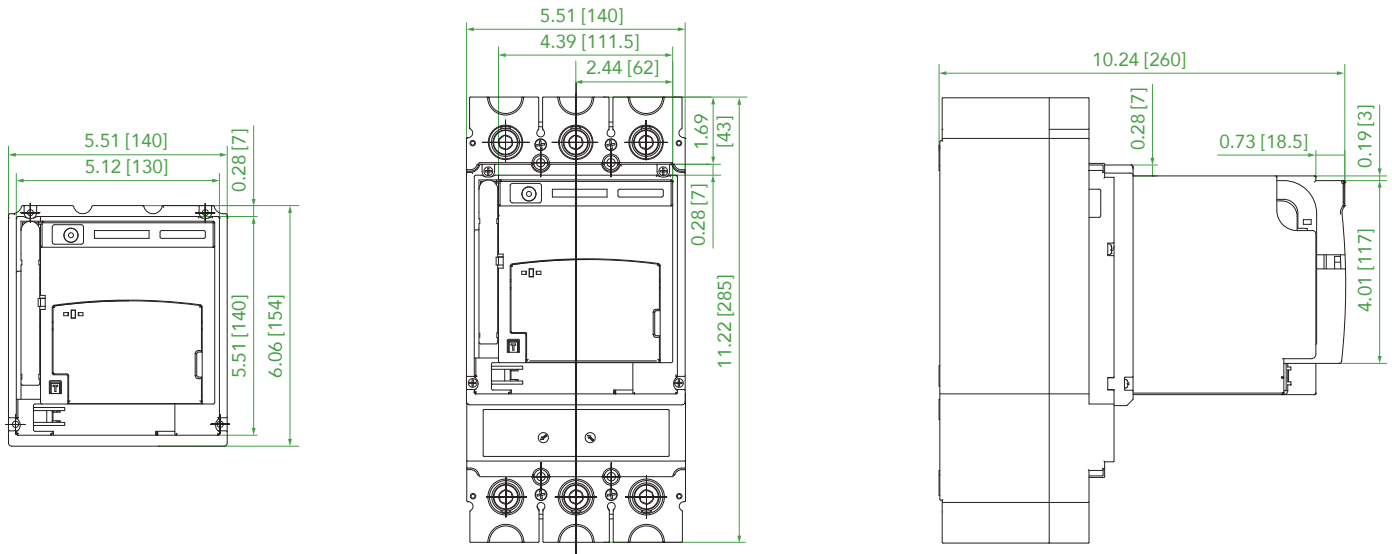
Accessories For MCCB/MCP/MCS

External Accessory Dimensions

MOD23N

Motor Operator for M3

Unit: in [mm]

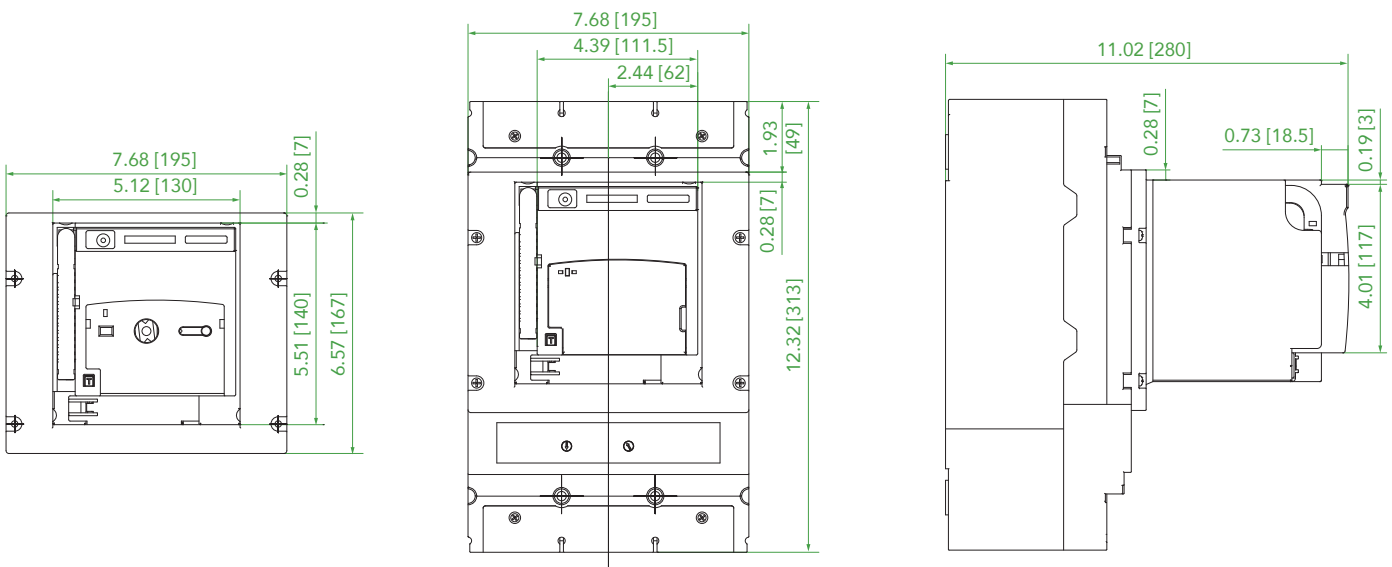


D

MOD24N

Motor Operator for M4

Unit: in [mm]



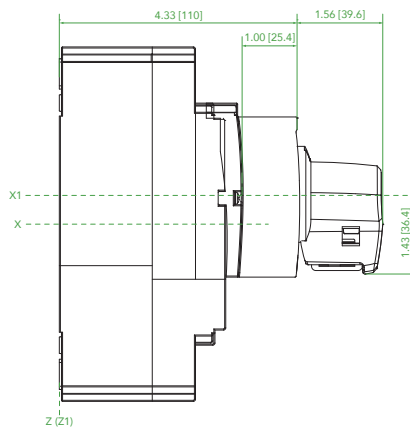
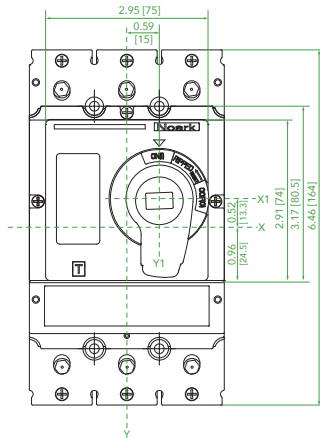
Accessories For MCCB/MCP/MCS

External Accessory Dimensions

RHD21N

IEC Rotary Handle for M1

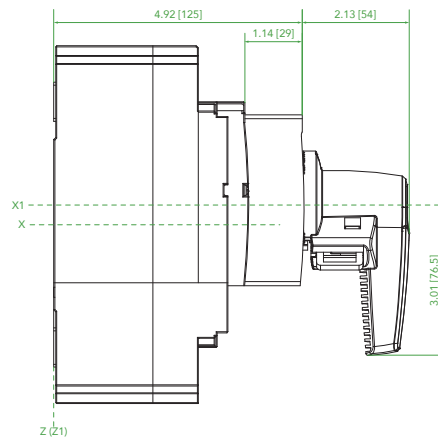
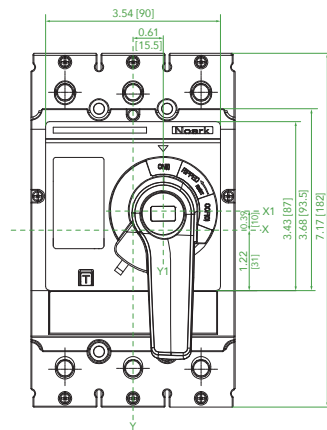
Unit: in [mm]



RHD22N

IEC Rotary Handle for M2

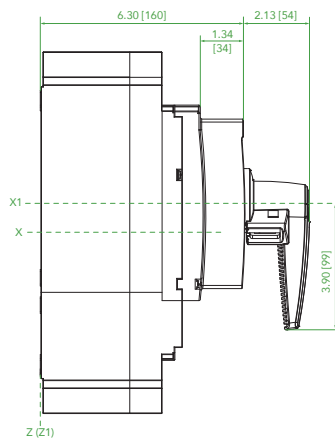
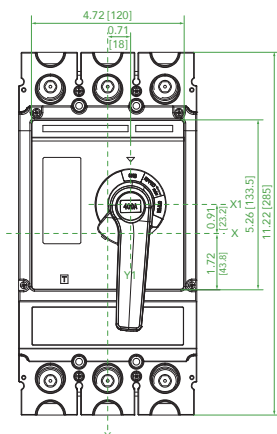
Unit: in [mm]



RHD23N

IEC Rotary Handle for M3

Unit: in [mm]



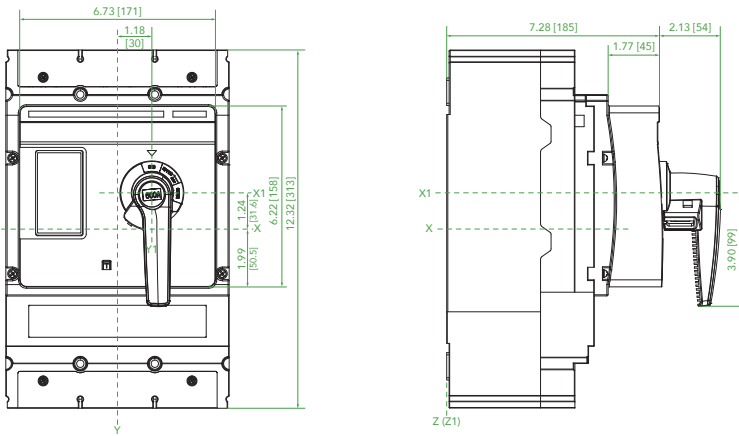
Accessories For MCCB/MCP/MCS

External Accessory Dimensions

RHD24N

IEC Rotary Handle for M4

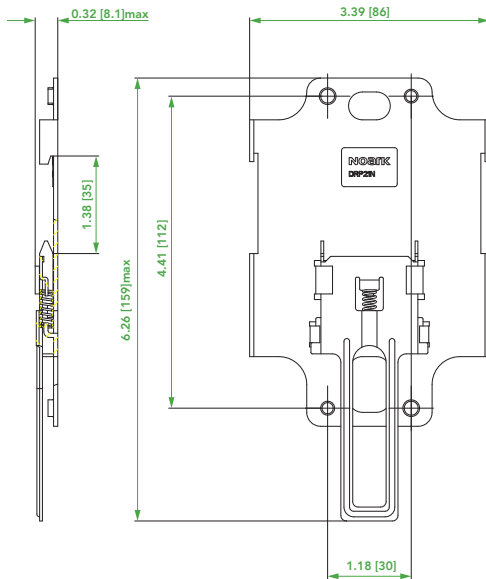
Unit: in [mm]



DRP21N

Din Rail Plate for M1

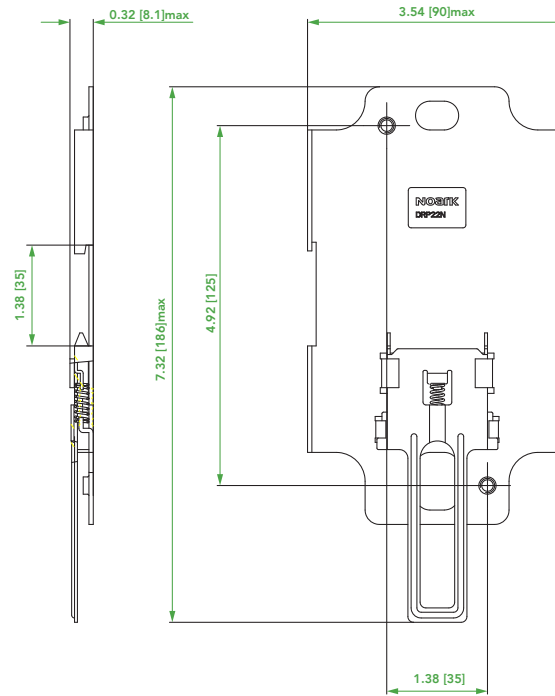
Unit: in [mm]



DRP22N

Din Rail Plate for M2

Unit: in [mm]

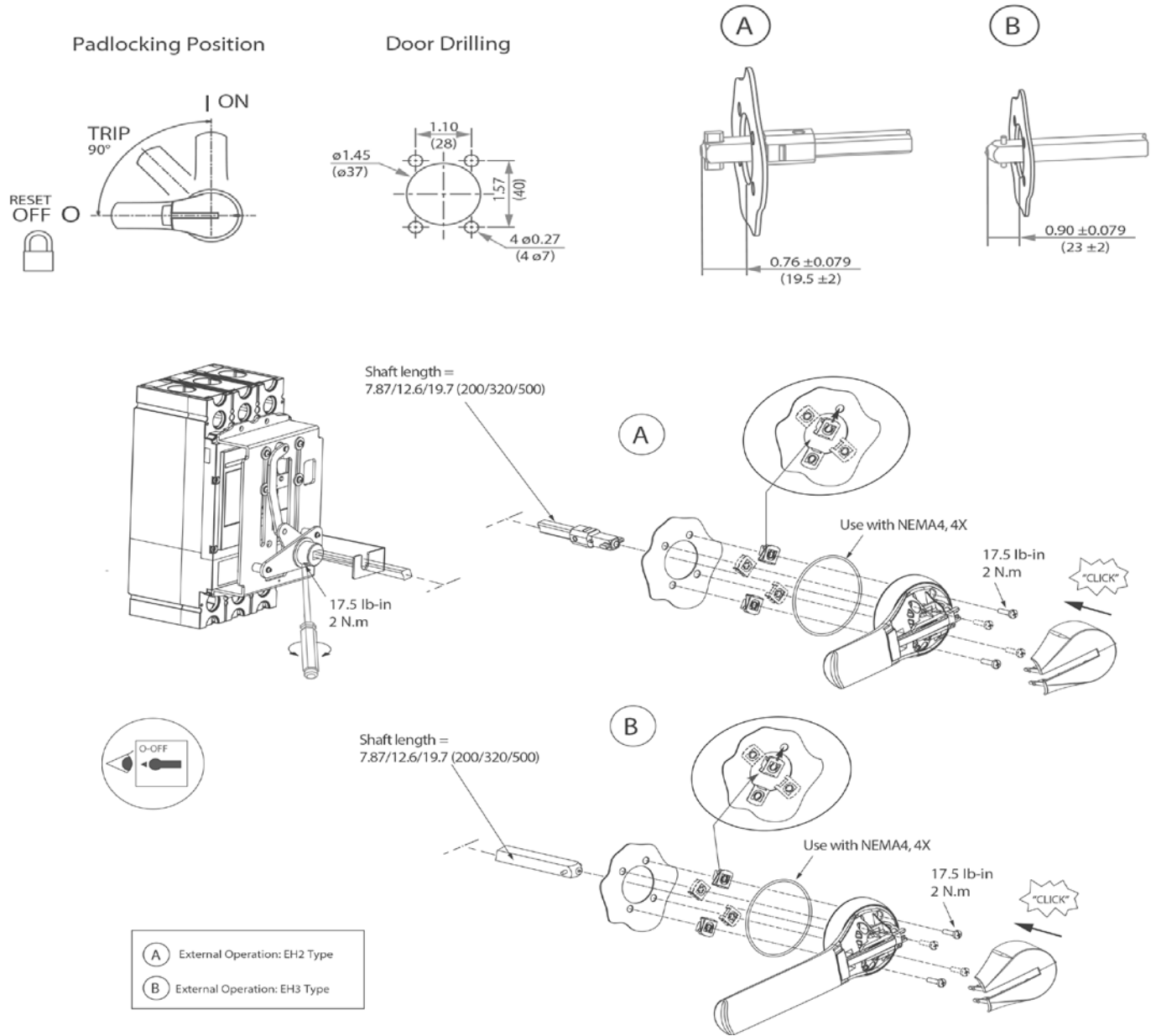


Accessories For MCCB/MCP/MCS

External Accessory Dimensions

NEMA Extended Rotary Handle

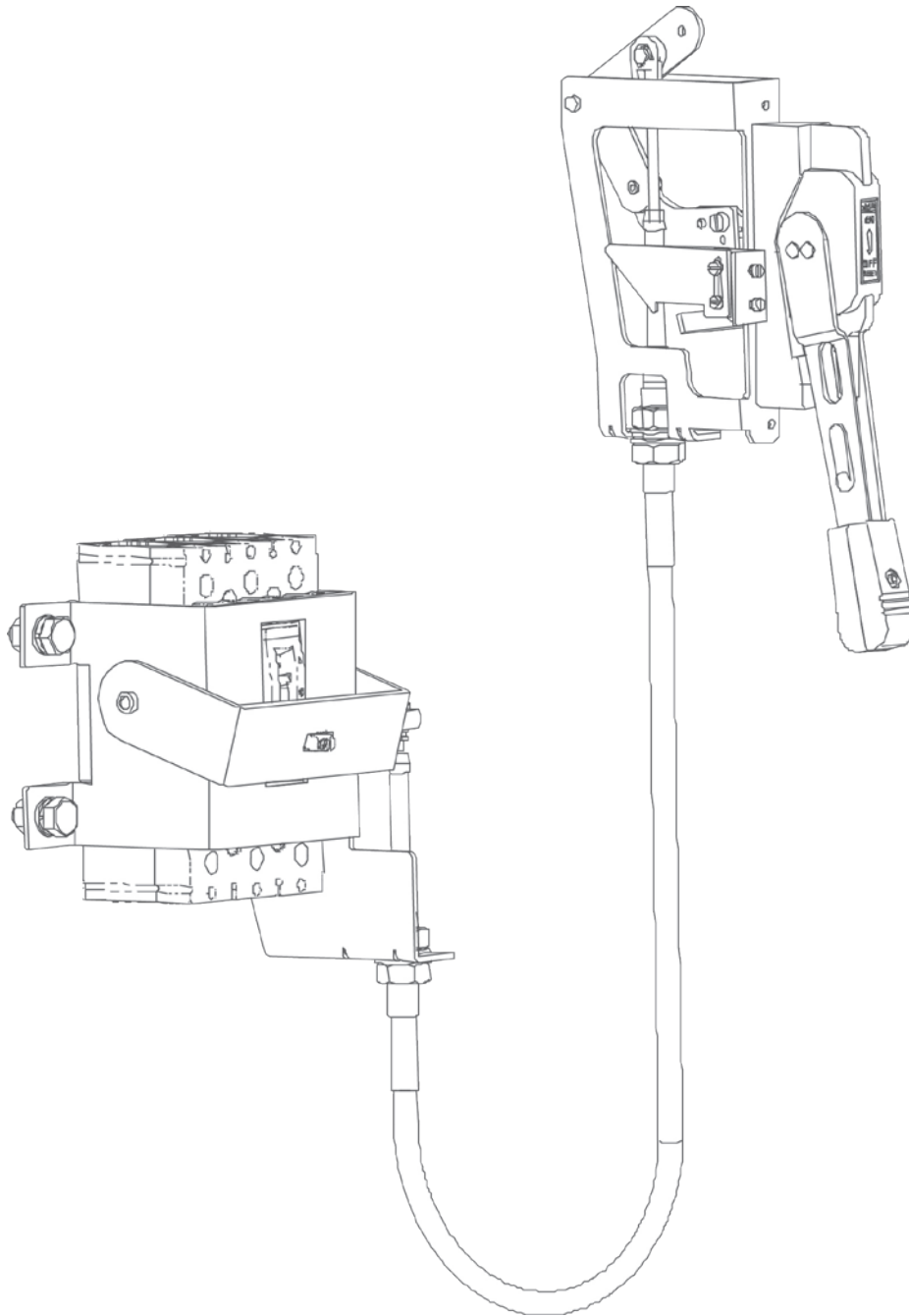
Unit: in [mm]



Accessories For MCCB/MCP/MCS

External Accessory Dimensions

NEMA Flange Handle Mechanism



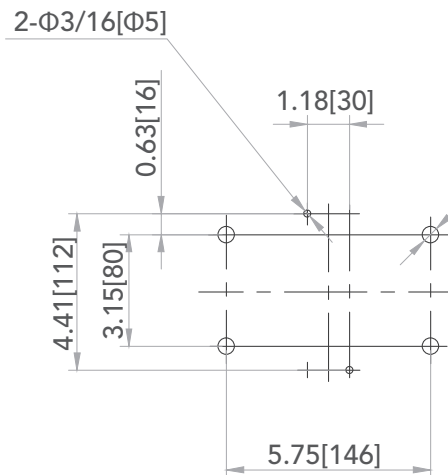
D

Accessories For MCCB/MCP/MCS

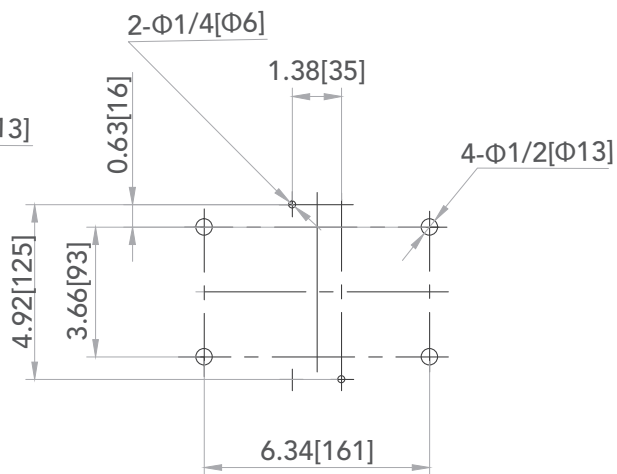
External Accessory Dimensions

NEMA Flange Handle Mechanism

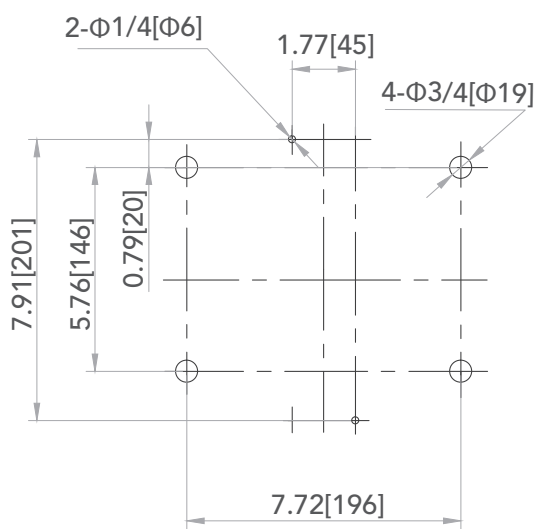
Drilling Plate for Operating Mechanism



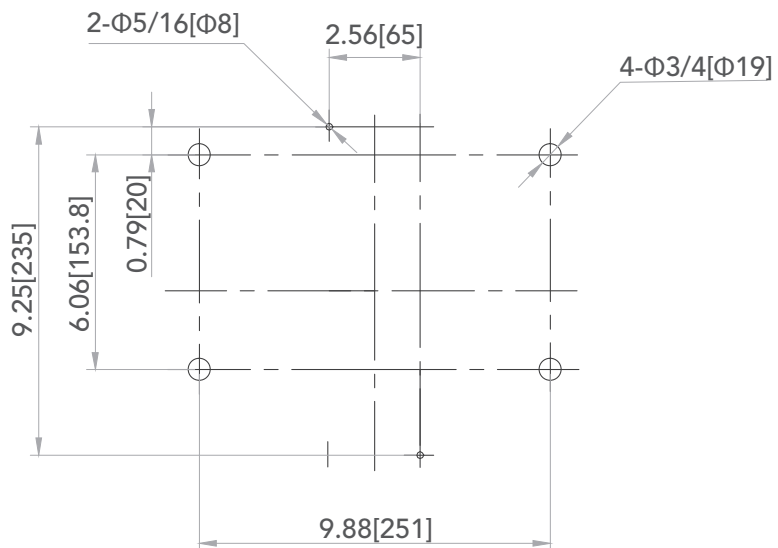
Drilling Plate for OM21



Drilling Plate for OM22



Drilling Plate for OM23



Drilling Plate for OM24

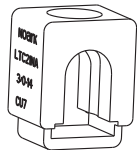
Accessories For MCCB/MCP/MCS

Connection Hardware Dimensions

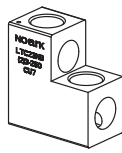
LTC21-26N

Terminal Lug Connection

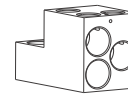
Unit: in [mm]



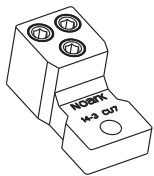
M1 1-Hole
167 °F (75 °C)
Cu wire only
14-3/0 AWG
2.5~95 mm²
89 in-lb (10 N.m)



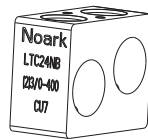
M3 2-Holes
167 °F (75 °C)
Cu wire only
3 AWG - 250 kcmil
35~120 mm²
310 in-lb (35 N.m)



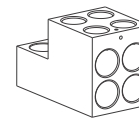
M6 3-Holes
75°C/90°C
Al/Cu Wire
(3)3/0AWG-750kcmil
310 lb-in/pulg/po
(3)95-300mm²
35N-m



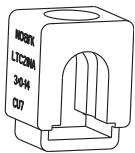
M1 3-Holes
167 °F (75 °C)
Cu wire only
14-10 AWG
2.5~6 mm²
44.5 in-lb (5 N.m)
8-3 AWG
10~35 mm²
89 in-lb (10 N.m)



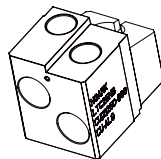
M4 2-Holes
167 °F (75 °C)
Cu wire only
(2) 3/0 AWG - 400 kcmil
(2) 95~185 mm²
310 in-lb (35 N.m)



M6 4-Holes
75°C/90°C
Al/Cu Wire
(4)3/0AWG-500kcmil
310 lb-in/pulg/po
(4)95-240mm²
35N-m



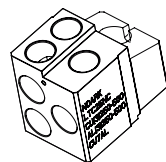
M2 1-Hole
167 °F (75 °C)
Cu wire only
8 AWG - 350 kcmil
10~185 mm²
230 in-lb (23 N.m)



M5 2-Holes
75/90°C
Al/Cu Wire Only
(2)250kcmil-600kcmil
398 lb-in/pulg/po
(2)120-300mm²
45N-m



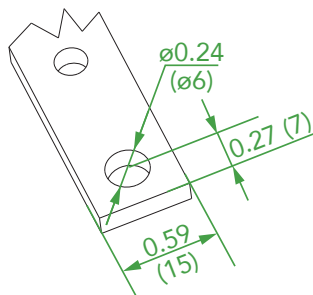
M3 1-Hole
167 °F (75 °C)
Cu wire only
3/0 AWG - 500 kcmil
95~240 mm²
310 in-lb (35 N.m)



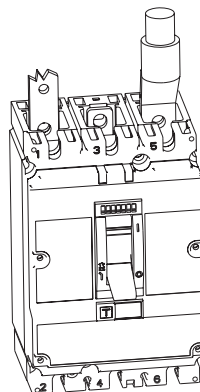
M5 3-Holes
75/90°C
Al/Cu Wire Only
(3)250kcmil-500kcmil
398 lb-in/pulg/po
(3)120-240mm²
45N-m

Bus Bar Connection

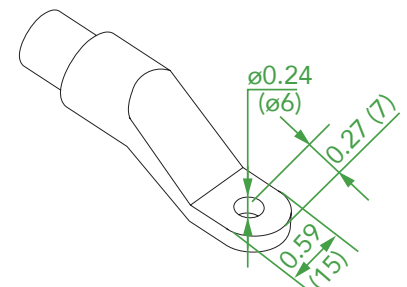
Unit: in [mm]



Bus Bar Connection
Copper Plate



Distance Between Poles
1.18 (30)



Bus Bar Connection
Copper Cable

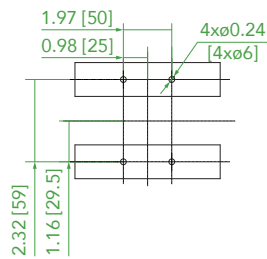
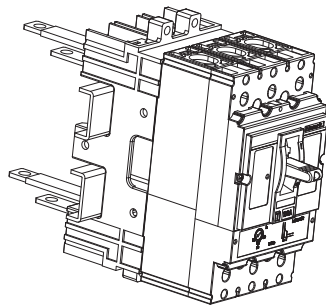
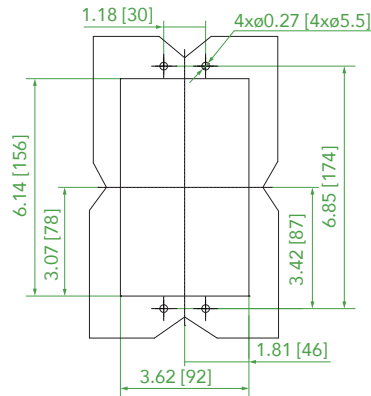
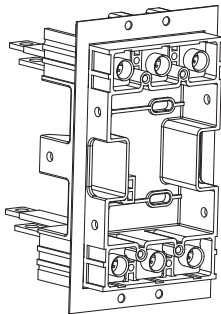
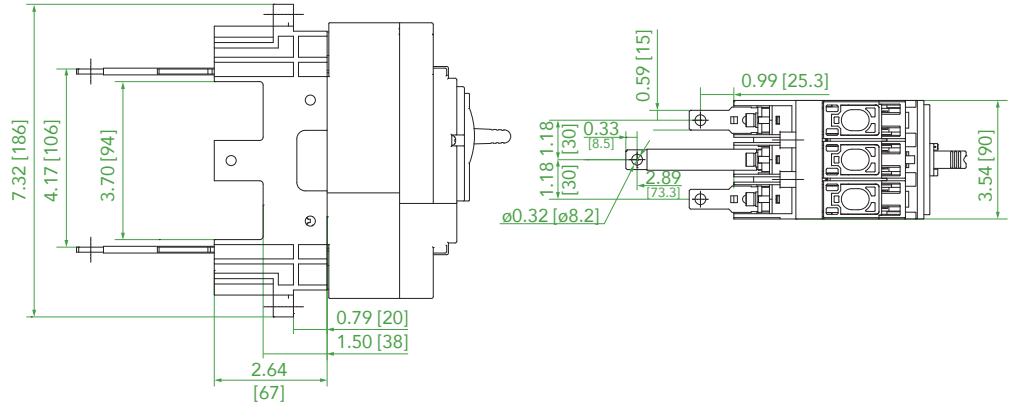
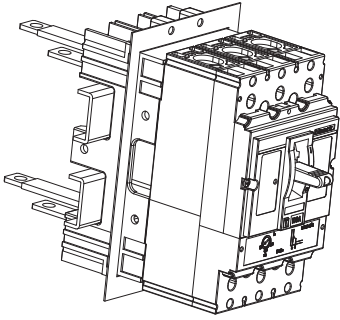
Accessories For MCCB/MCP/MCS

Connection Hardware Dimensions

PIA21N

Plug-In Base for M1

Unit: in [mm]



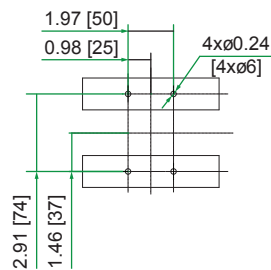
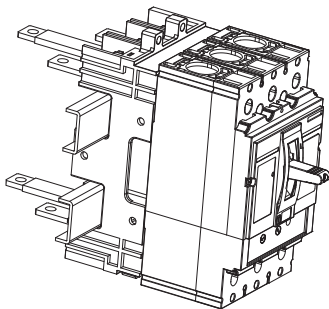
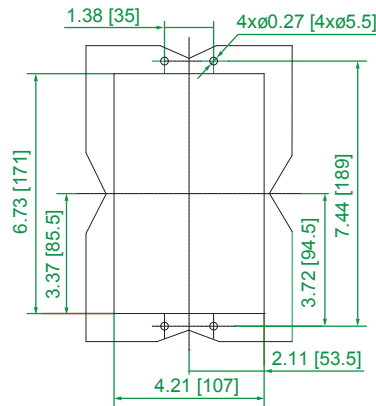
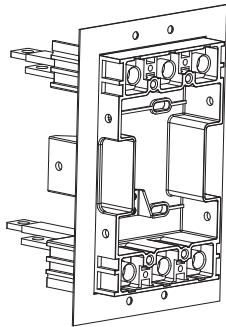
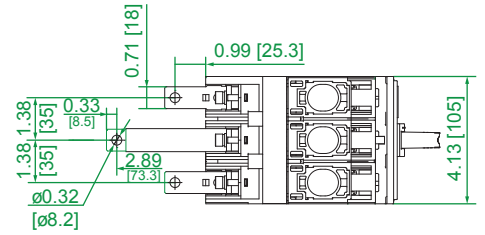
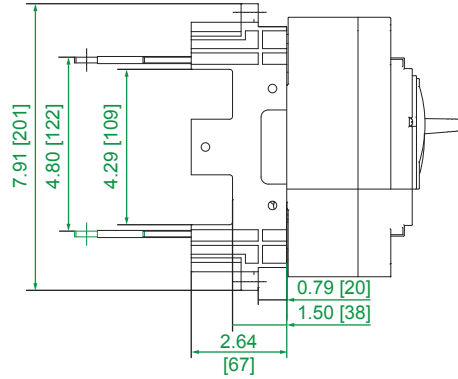
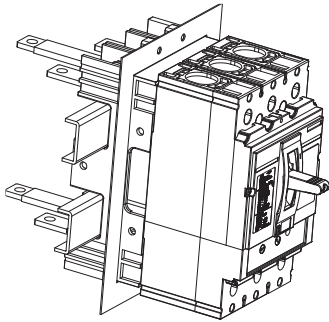
Accessories For MCCB/MCP/MCS

Connection Hardware Dimensions

PIA22N

Plug-In Base for M2

Unit: in [mm]



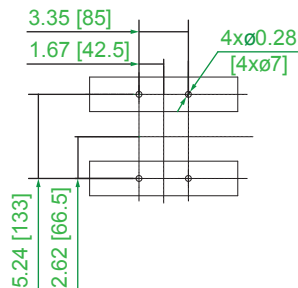
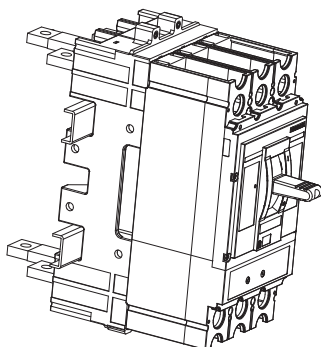
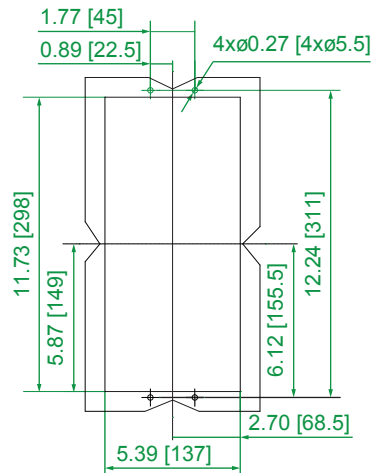
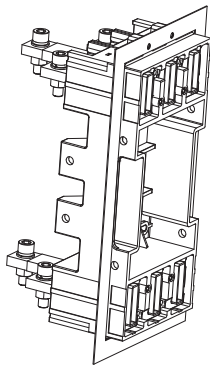
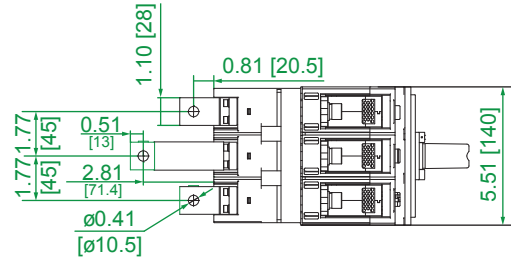
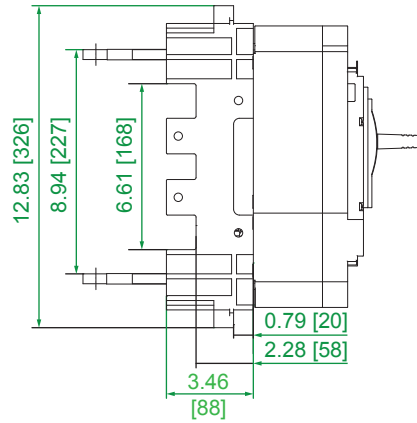
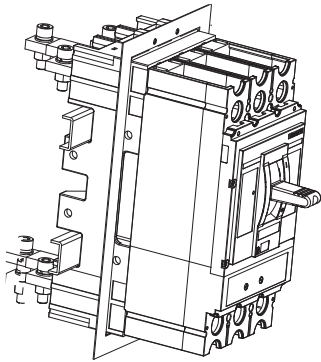
Accessories For MCCB/MCP/MCS

Connection Hardware Dimensions

PIA23N

Plug-In Base for M3

Unit: in [mm]



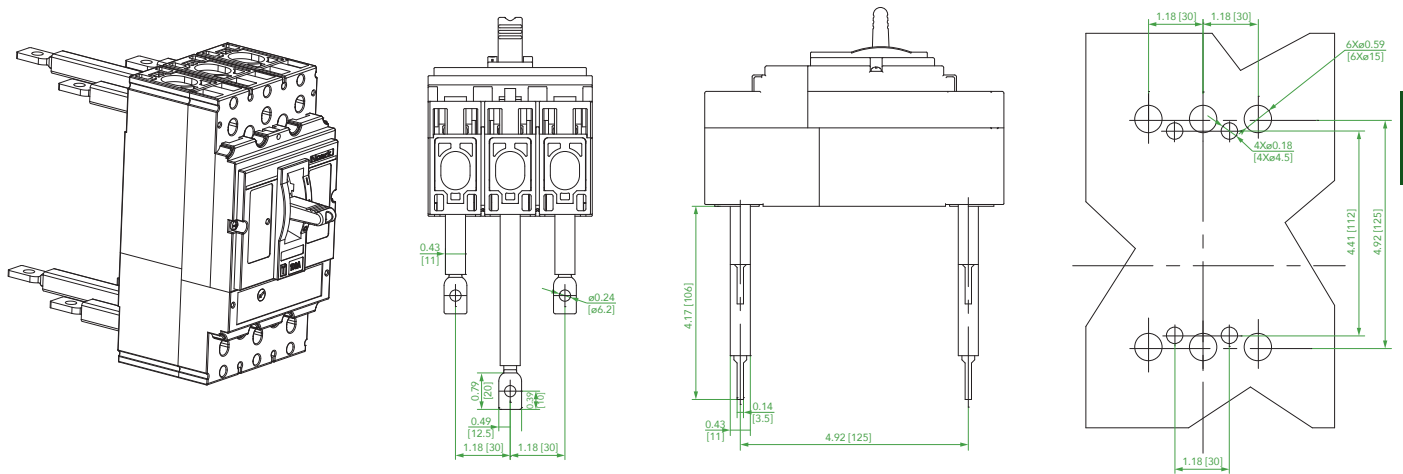
Accessories For MCCB/MCP/MCS

Connection Hardware Dimensions

RCP21N

Rear Connection Kit for M1

Unit: in [mm]

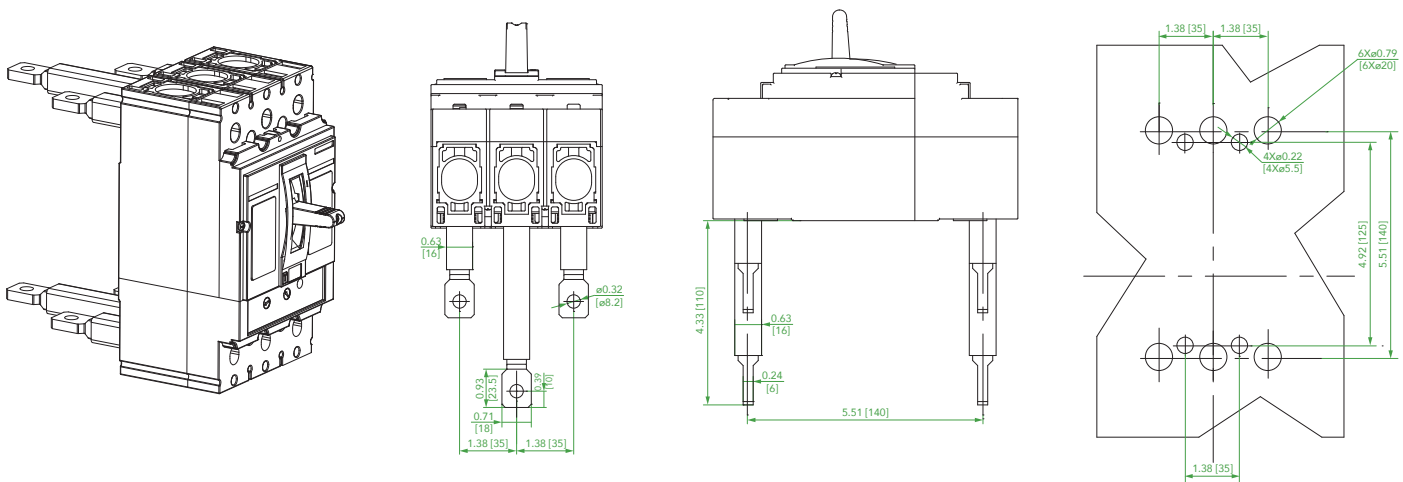


D

RCP22N

Rear Connection Kit for M2

Unit: in [mm]



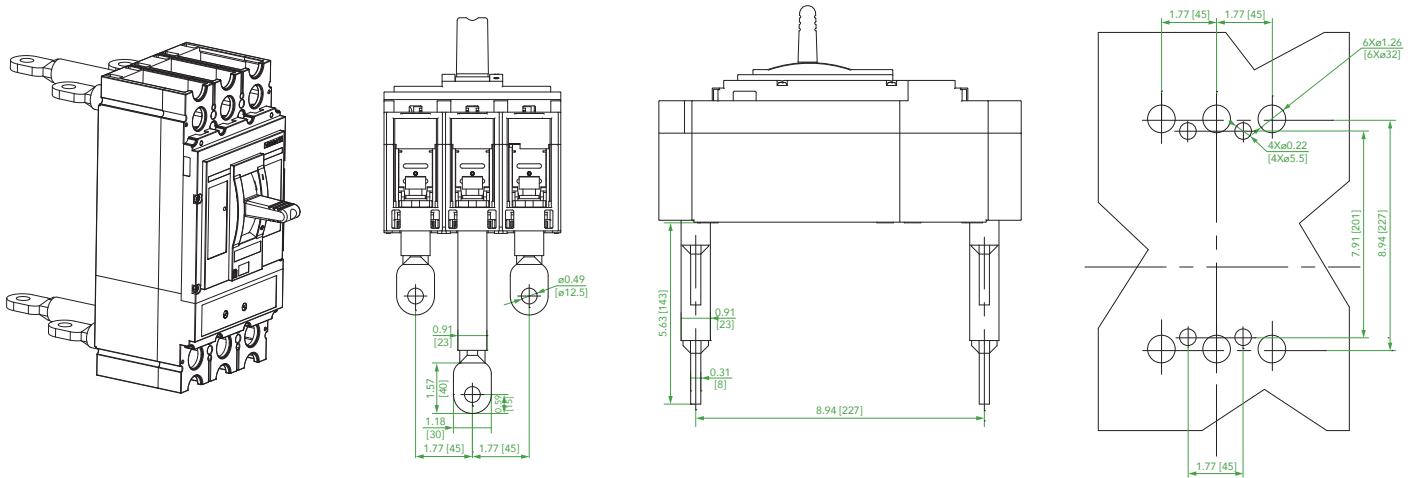
Accessories For MCCB/MCP/MCS

Connection Hardware Dimensions

RCP23N

Rear Connection Kit for M3

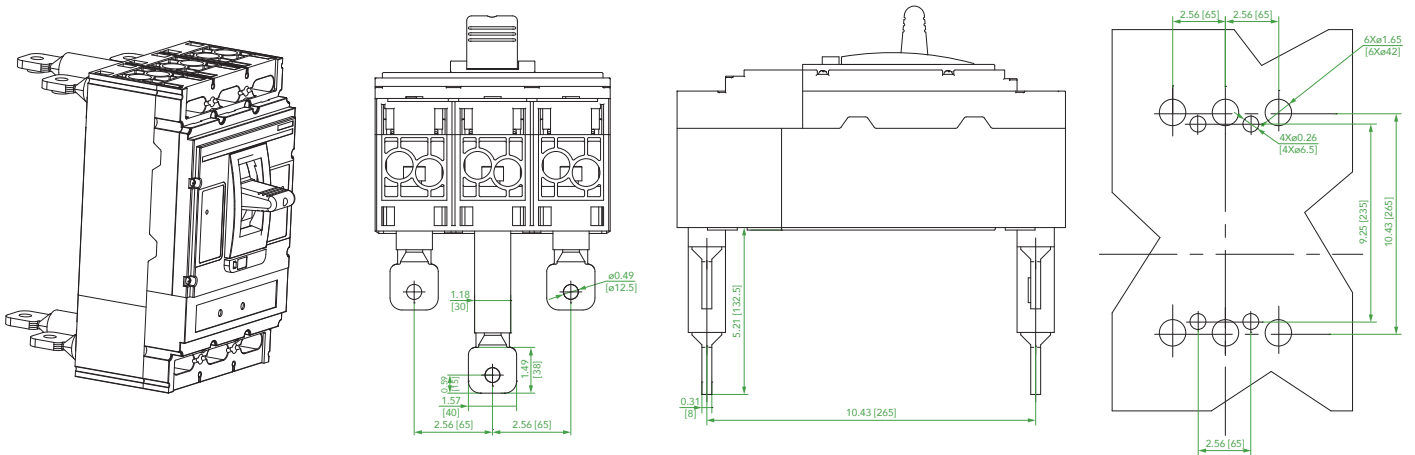
Unit: in [mm]



RCP24N

Rear Connection Kit for M4

Unit: in [mm]



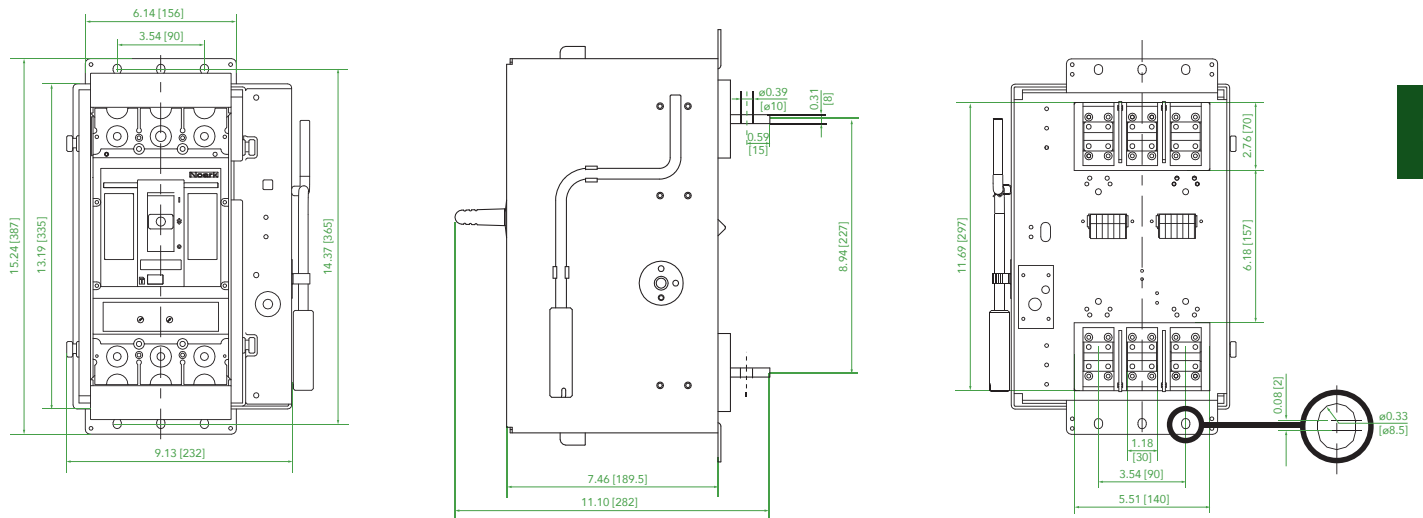
Accessories For MCCB/MCP/MCS

Connection Hardware Dimensions

DOB23N

Draw-Out Base for M3

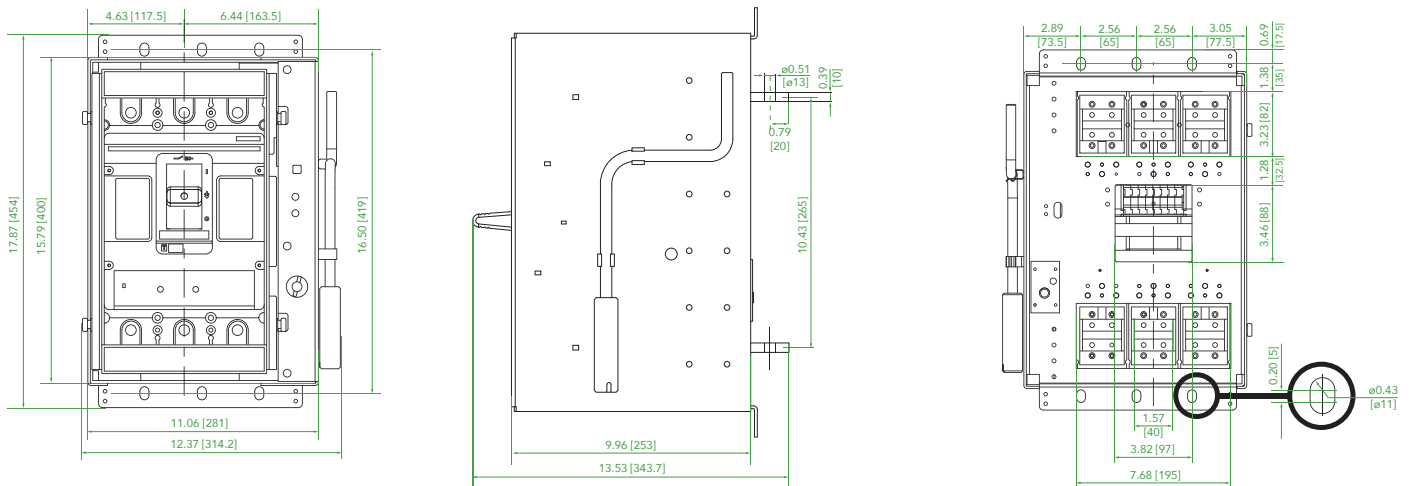
Unit: in [mm]



DOB24N

Draw-Out Base for M4

Unit: in [mm]



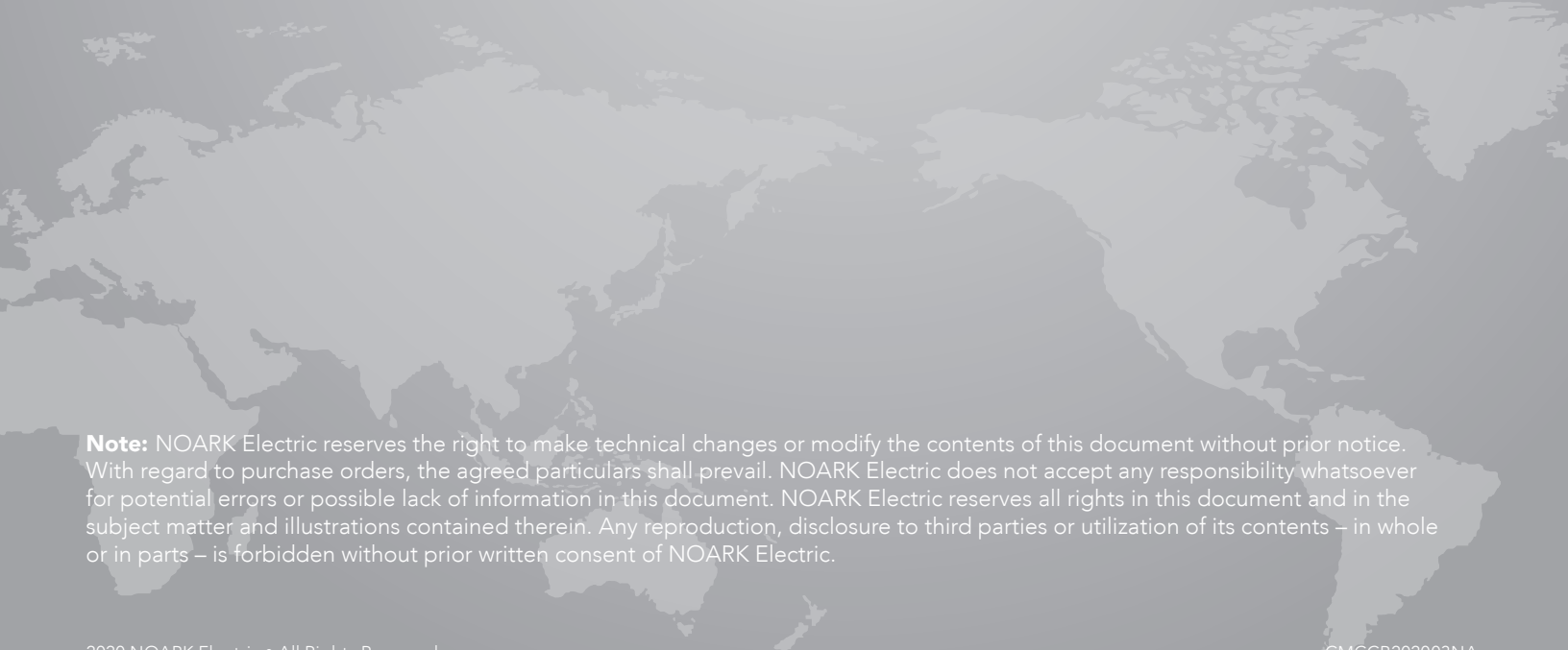
NOARK®



NOARK Electric North America

(626) 330-7007

na.noark-electric.com • nasales@noark-electric.com



Note: NOARK Electric reserves the right to make technical changes or modify the contents of this document without prior notice. With regard to purchase orders, the agreed particulars shall prevail. NOARK Electric does not accept any responsibility whatsoever for potential errors or possible lack of information in this document. NOARK Electric reserves all rights in this document and in the subject matter and illustrations contained therein. Any reproduction, disclosure to third parties or utilization of its contents – in whole or in parts – is forbidden without prior written consent of NOARK Electric.